

THIS DRAWING IS UNPUBLISHED.

RELEASED FOR PUBLICATION

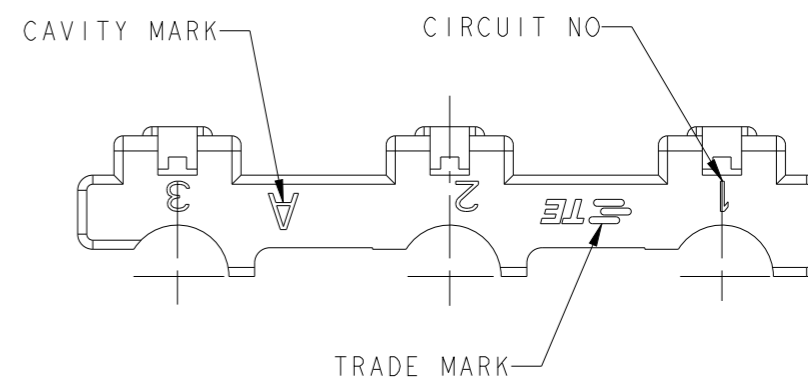
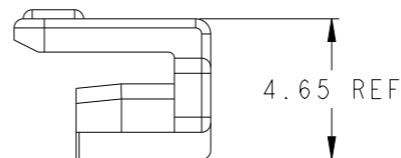
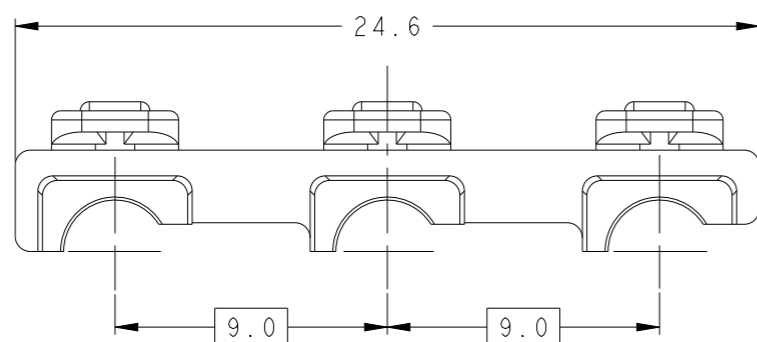
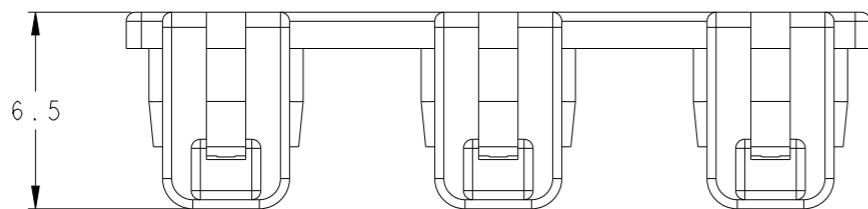
20

© COPYRIGHT 20 BY -

ALL RIGHTS RESERVED.

REVISIONS


P	LTR	DESCRIPTION	DATE	DWN	APVD
	B	REVISED PER ECR-21-105872	06 JUL 2021	SC	D. Z



NOTE,

1. APPLICABLE WIRE: UL1015 TYPE, AWG #16~#12

*-1903414-2	BLACK	2232563-1
MATING P/N	COLOR	P/N

THIS DRAWING IS A CONTROLLED DOCUMENT.		DWN SC KIM	30 JUN 2021	 TE Connectivity																					
DIMENSIONS: mm		CHK -	-																						
TOLERANCES UNLESS OTHERWISE SPECIFIED:		APVD DANIEL ZHANG	30 JUN 2021	NAME GRACE HI-CURRENT(GHC)																					
<table border="0"> <tr> <td>0 PLC</td> <td>±</td> <td>±0.3</td> </tr> <tr> <td>1 PLC</td> <td>±</td> <td>±5°</td> </tr> <tr> <td>2 PLC</td> <td>±</td> <td></td> </tr> <tr> <td>3 PLC</td> <td>±</td> <td></td> </tr> <tr> <td>4 PLC</td> <td>±</td> <td></td> </tr> <tr> <td>ANGLES</td> <td>±</td> <td></td> </tr> <tr> <td>FINISH</td> <td>-</td> <td></td> </tr> </table>		0 PLC	±	±0.3	1 PLC	±	±5°	2 PLC	±		3 PLC	±		4 PLC	±		ANGLES	±		FINISH	-		PRODUCT SPEC 108-78357	DRAWING NO A300779	
0 PLC	±	±0.3																							
1 PLC	±	±5°																							
2 PLC	±																								
3 PLC	±																								
4 PLC	±																								
ANGLES	±																								
FINISH	-																								
MATERIAL PA66, UL94V-0		APPLICATION SPEC 114-5356	CAGE CODE G-2232563		RESTRICTED TO -																				
		WEIGHT -	SCALE 4:1		SHEET 1 OF 2																				
		CUSTOMER DRAWING		REV B																					

THIS DRAWING IS UNPUBLISHED.

RELEASED FOR PUBLICATION

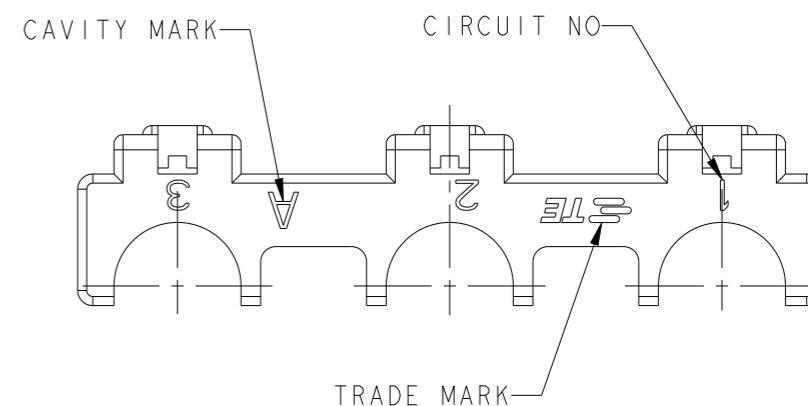
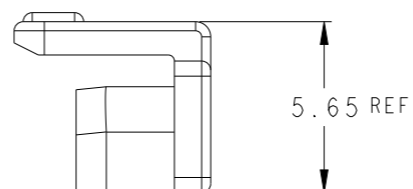
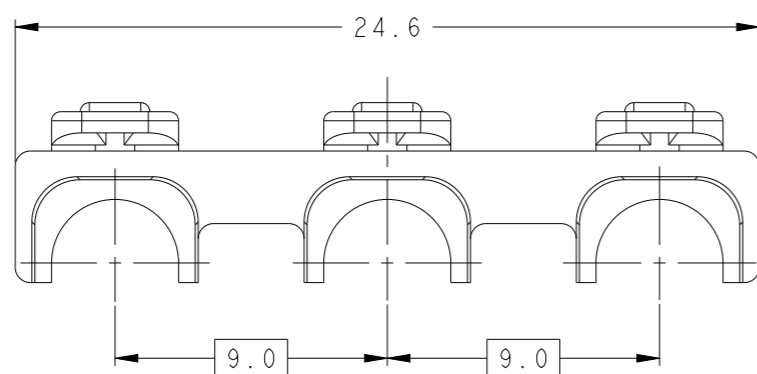
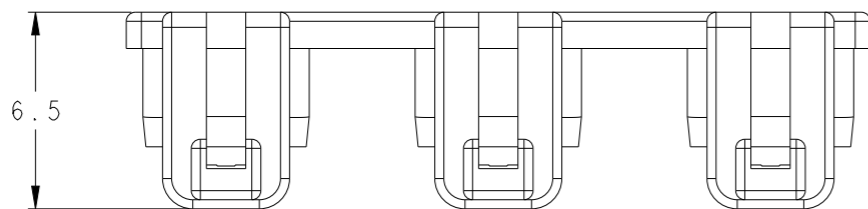
20

© COPYRIGHT 20 BY -

ALL RIGHTS RESERVED.

REVISIONS



P	LTR	DESCRIPTION	DATE	DWN	APVD
		SEE SHEET 1			



NOTE,

1. APPLICABLE WIRE: UL1015 TYPE, AWG #16~#12

*-1903414-2	BLACK	I-2232563-1
MATING P/N	COLOR	P/N

THIS DRAWING IS A CONTROLLED DOCUMENT.		DWN SC KIM 26OCT2016	 TE Connectivity NAME GRACE HI-CURRENT(GHC) 9.0mm 3POS TPA HOUSING				
DIMENSIONS: mm		CHK BH CHO 26OCT2016					
		APVD BW KANG 26OCT2016					
TOLERANCES UNLESS OTHERWISE SPECIFIED:		PRODUCT SPEC 108-78357					
0 PLC ± ±0.3 1 PLC ± ±5° 2 PLC ± ± 3 PLC ± ± 4 PLC ± ± ANGLES ± ± FINISH -		APPLICATION SPEC 114-5356	SIZE A3	CAGE CODE 00779	DRAWING NO C-2232563	RESTRICTED TO -	
MATERIAL PA66, UL94V-0		WEIGHT -	CUSTOMER DRAWING		SCALE 4:1	SHEET 2 OF 2	REV B

X-ON Electronics

Largest Supplier of Electrical and Electronic Components

Click to view similar products for [Heavy Duty Power Connectors](#) category:

Click to view products by [TE Connectivity](#) manufacturer:

Other Similar products are found below :

[647757-1](#) [6643411-1](#) [6646058-2](#) [6646137-1](#) [6646138-1](#) [6646479-1](#) [6646608-1](#) [6646786-1](#) [6646940-1](#) [6651091-1](#) [6651525-1](#) [6651529-1](#)
[6651788-1](#) [696475-1](#) [702-32-01109](#) [703-25-02205](#) [73000005059](#) [73000005642](#) [73080255059](#) [73080965046](#) [765-15-0080A](#) [765-16-0080B](#)
[765-18-0080D](#) [829992-1](#) [902-77-02113](#) [PS00/A0620/6300](#) [PS25/A0420/63](#) [129-1J](#) [1409400](#) [AN0024023](#) [E6374G1](#) [e6389g2](#) [157-43GW8](#)
[MS3117-14AC](#) [1643543-1](#) [1650540-1](#) [1651811-2](#) [1766260-1](#) [1766282-1](#) [1766966-1](#) [1791340000](#) [NLDFT-3-BL-L-S120-M40A](#) [NLDFT-N-](#)
[W-L-C240-M40B](#) [NLS-2-R-C240-M40B](#) [NLS-N-W-C240-M40B](#) [NPS-3-BL-T6](#) [1986615-1](#) [2-1589900-8](#) [2199314-1](#) [KA8102](#)