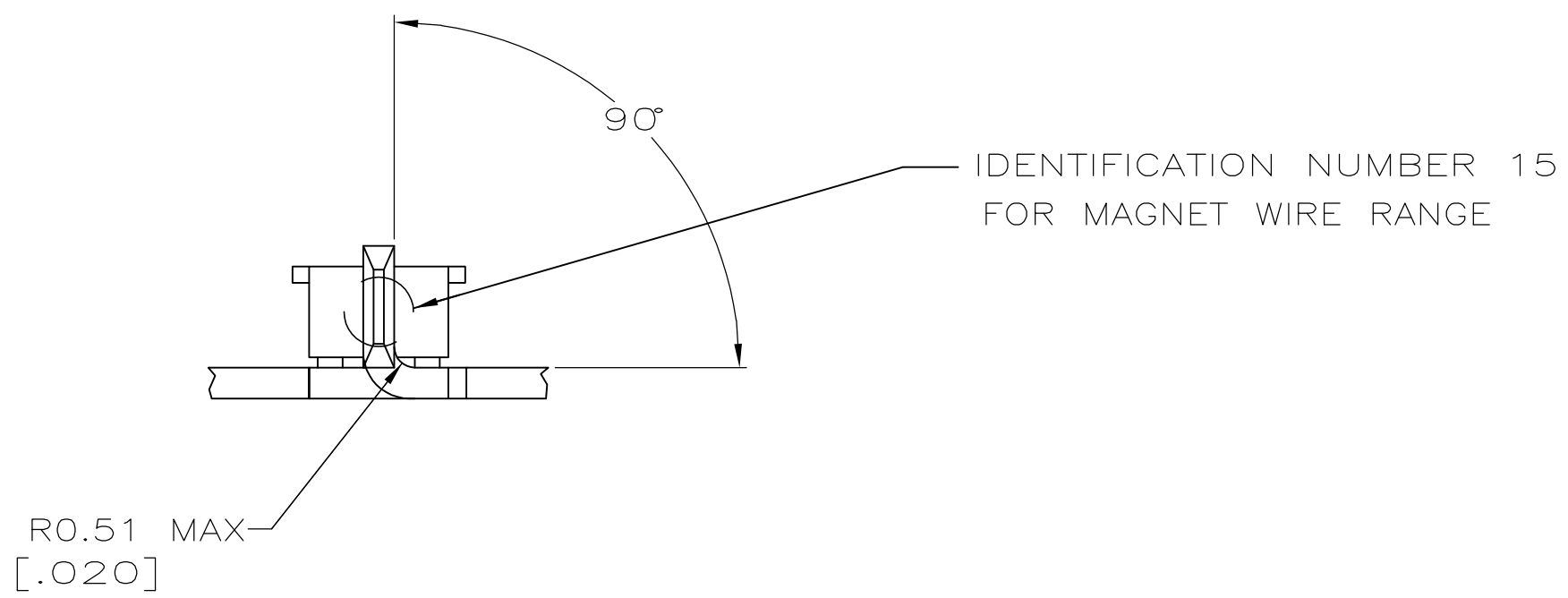
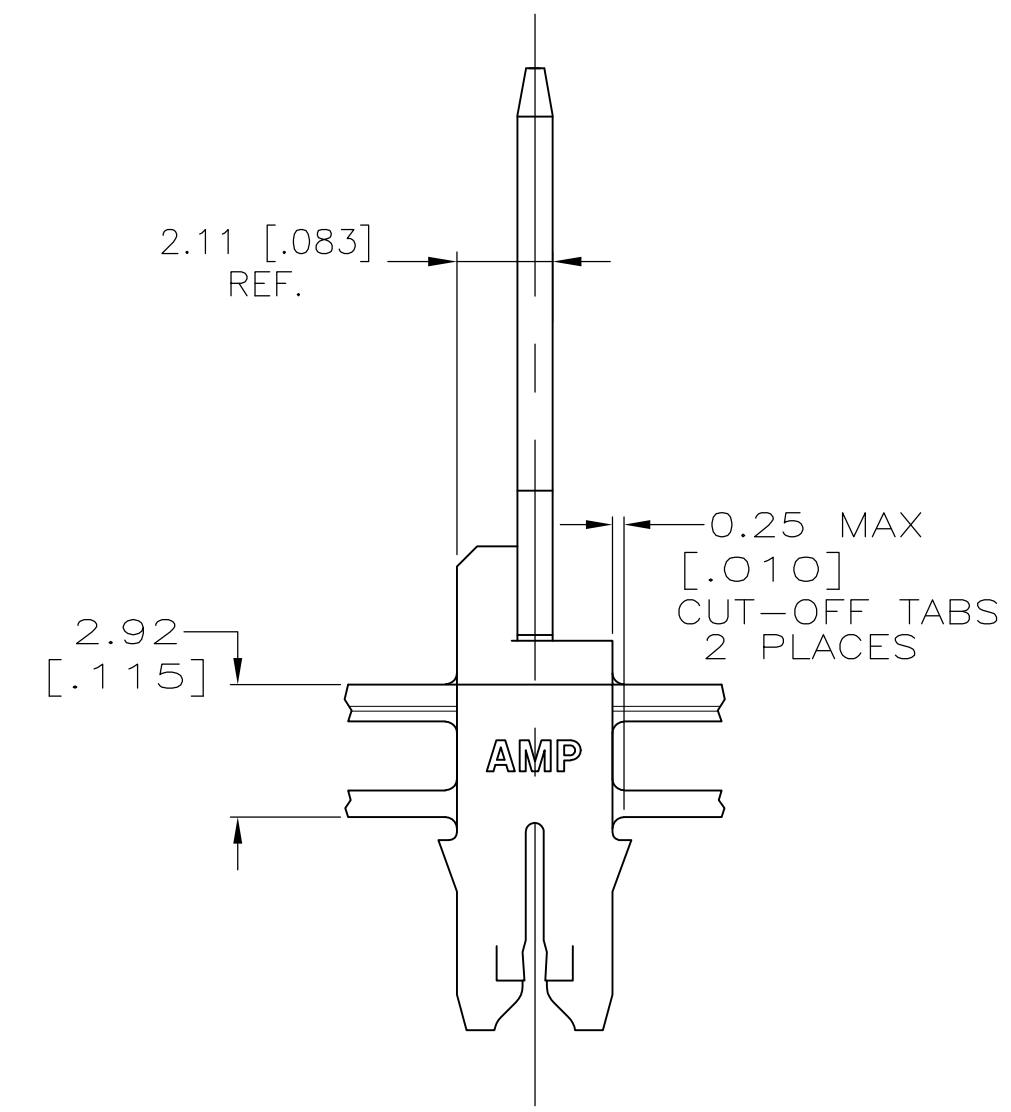
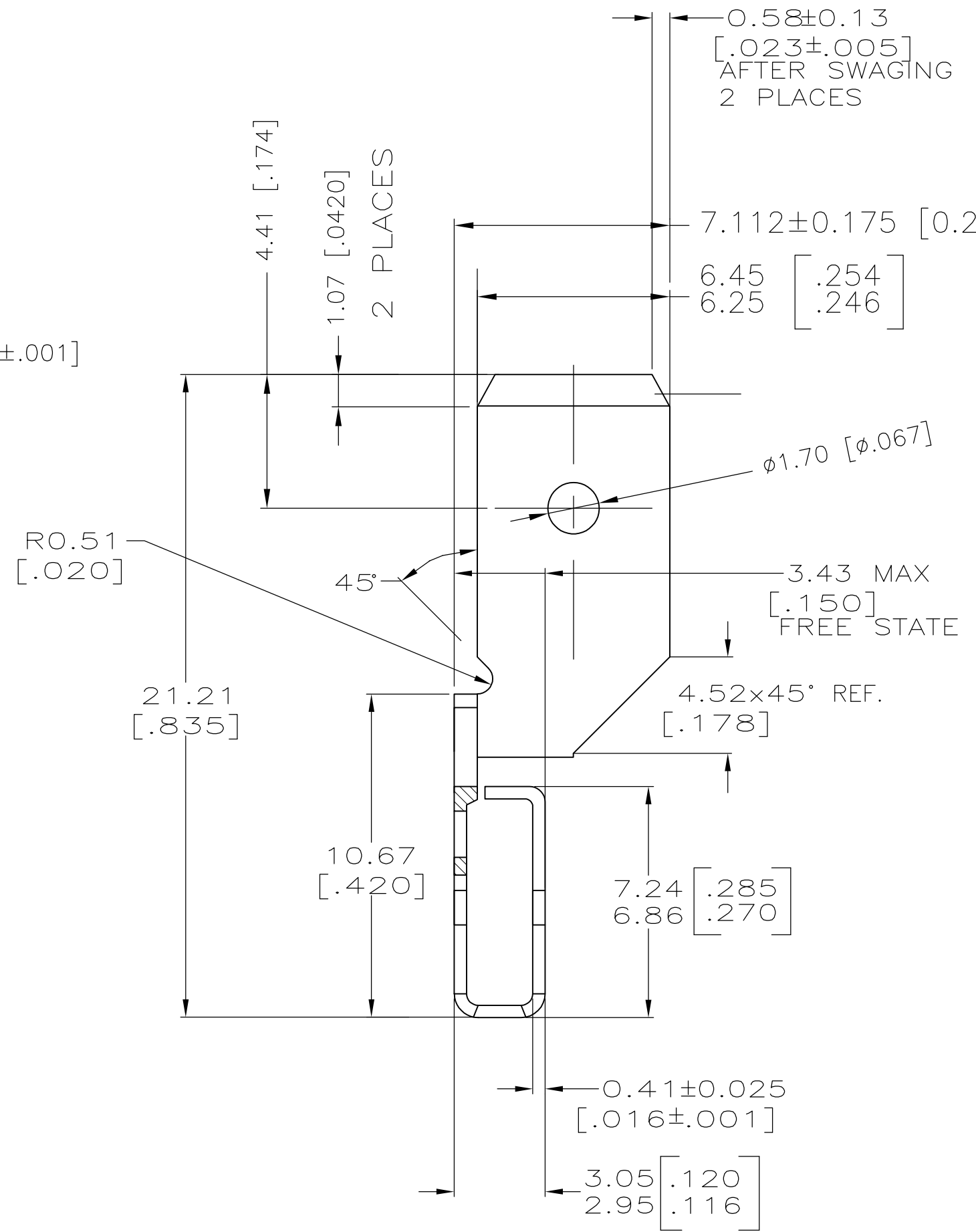
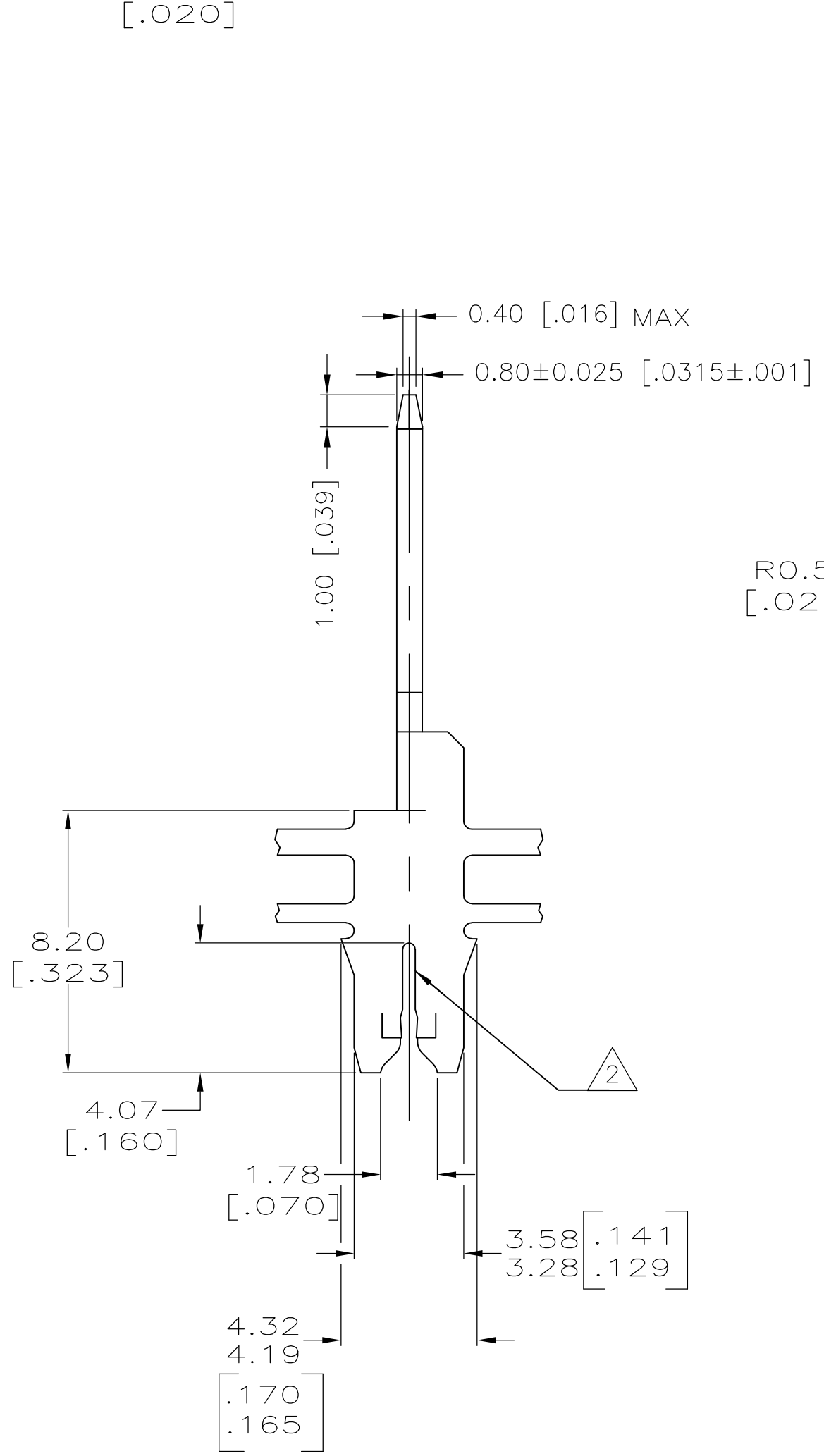


THIS DRAWING IS UNPUBLISHED. RELEASED FOR PUBLICATION
 © COPYRIGHT - By - ALL RIGHTS RESERVED.

LOC		DIST		REVISIONS			
P	LTR	DESCRIPTION		DATE	DWN	APVD	
AF	50	A1	ECR-14-012274	14AUG14	PKS	RRP	



- 1 CONTINUOUS STRIP ON REELS WITH TERMINALS LOCATED ON 8.38±0.076 [.330±.003] CENTERS
- 2 SLOT ACCEPTS SINGLE OR DOUBLE 0.7-0.9mm DIA [#21-19] AWG ALUMINUM MAGNET WIRE
- 3 REFER TO DWG 87-1039-3 FOR ADDITIONAL CAVITY INFORMATION (MODIFIED DEPTH)
- 4 PRE-PRODUCTION - FASR REQUIRED
- 5 0.0010 [.000040] MIN TIN PLATE



THIS DRAWING IS A CONTROLLED DOCUMENT.		DWN	R.GRZYBOWSKI	24JUN97	FINISH		WELD	2232683-1		
DIMENSIONS: mm		CHK	M.S.FEHER	24JUN97	SPLICE		PART NUMBER			
TOLERANCES UNLESS OTHERWISE SPECIFIED:		APVD	N.E.NEFF	24JUN97	NAME		TE Connectivity			
0 PLC	± -	PRODUCT SPEC	108-2012		TAB, 6.30 [.250] CONNECTING, MAG-MATE		-			
1 PLC	± -	APPLICATION SPEC	114-2046		SIZE	A2	CAGE CODE	00779	DRAWING NO	C=2232683
2 PLC	± 0.25 [.010]	FINISH	SEE TABLE		SCALE	6:1	SHEET	1 of 1	REV	A1
3 PLC	± -	MATERIAL		PRE-MILLED BRASS	CUSTOMER DRAWING					
4 PLC	± -	WEIGHT		-						
ANGLES	± 5°	RESTRICTED TO								

X-ON Electronics

Largest Supplier of Electrical and Electronic Components

Click to view similar products for [Terminals](#) category:

Click to view products by [TE Connectivity](#) manufacturer:

Other Similar products are found below :

[00-054007-01074-6](#) [00-054007-70206-1](#) [00-054007-70210-8](#) [00-054007-70217-7](#) [00-054007-70226-9](#) [00-054007-70228-3](#) [00-054007-70248-1](#) [00-054007-70256-6](#) [00-054007-70301-3](#) [00-054007-70316-7](#) [00-054007-49560-4](#) [00-054007-70209-2](#) [00-054007-70225-2](#) [00-054007-70227-6](#) [00-054007-70231-3](#) [00-054007-70241-2](#) [00-054007-70242-9](#) [00-054007-70244-3](#) [00-054007-70246-7](#) [00-054007-70263-4](#) [00-054007-70288-7](#) [00-054007-70290-0](#) [00-054007-70300-6](#) [00-054007-70304-4](#) [01-2065-1-0216](#) [01-2900-1-04412](#) [00581P0075](#) [600TS-10](#) [60205-1](#) [604200-1](#) [605601-1](#) [60598-1-CUT-TAPE](#) [61314-6-C](#) [61810-3](#) [61-S](#) [61-SN](#) [626-0194](#) [62-NBM-A](#) [62-SN](#) [62-SP](#) [63-S](#) [640179-1](#) [M55155/059I03](#) [M55155/079C01](#) [M55155/099H02](#) [M55155/109H01](#) [M55155/109H02](#) [M55155/12XH05](#) [M55155/16XH02](#) [M55155/29-5S](#)