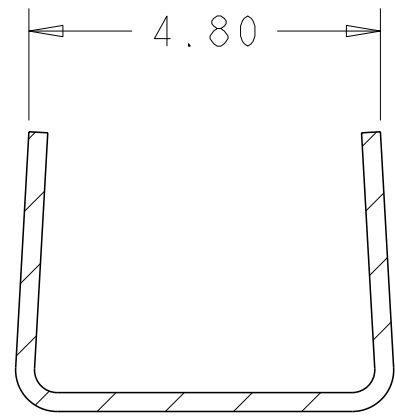


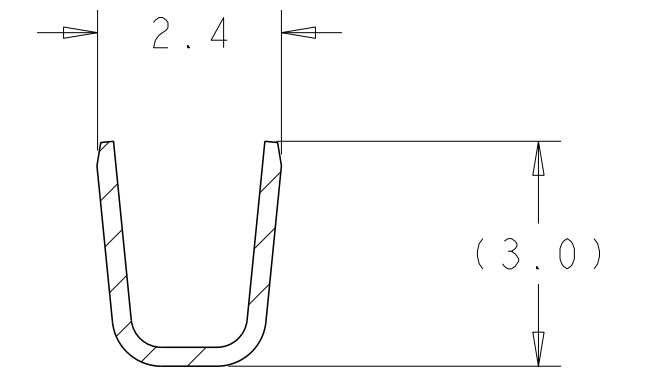
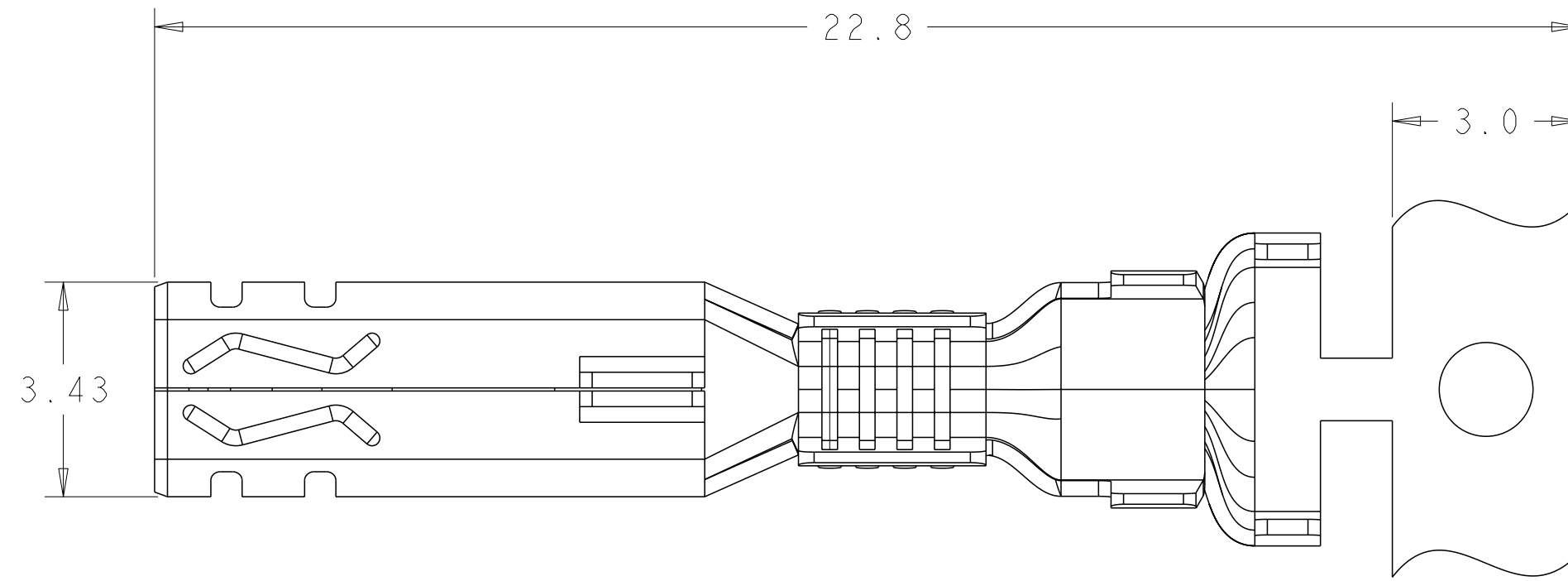
THIS DRAWING IS UNPUBLISHED. RELEASED FOR PUBLICATION 20  
 © COPYRIGHT 20 BY - ALL RIGHTS RESERVED.

LOC	DIST
ES	00

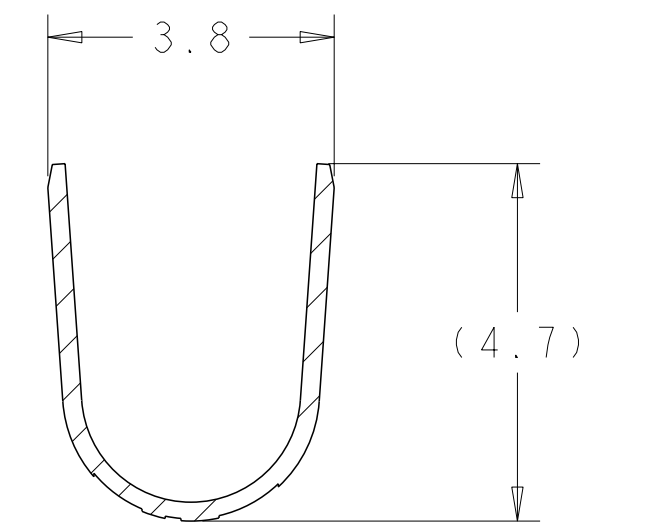
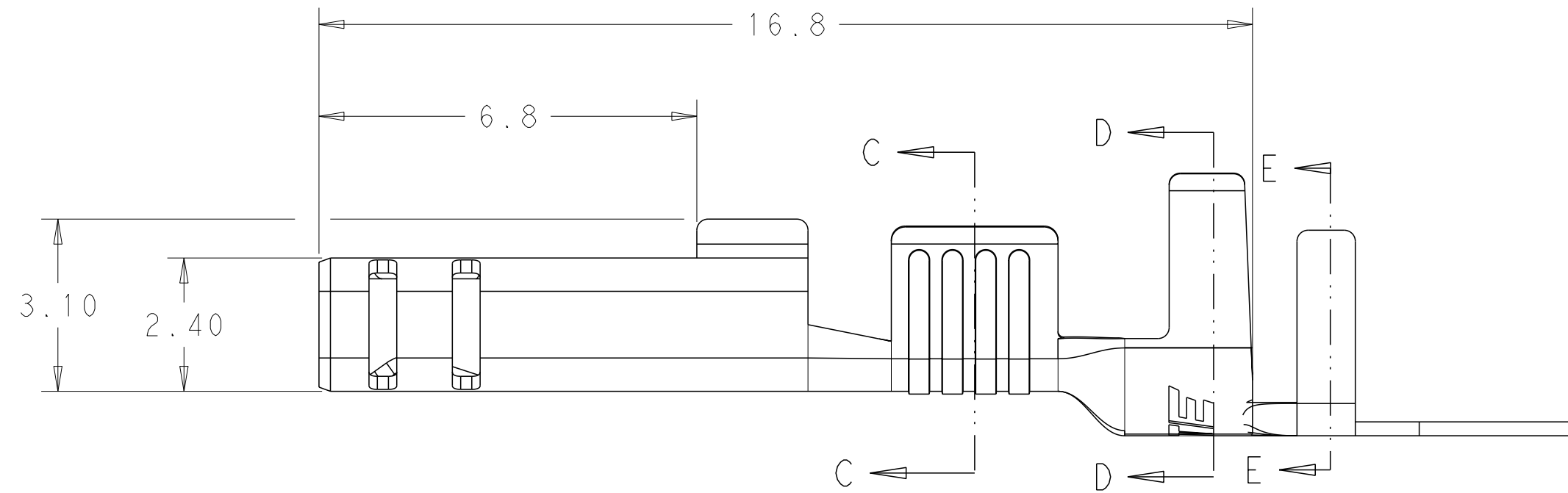
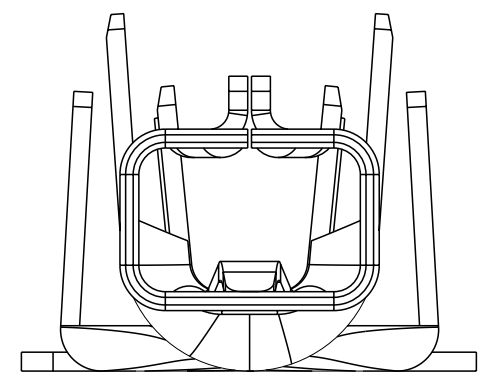
REVISIONS				
P	LTR	DESCRIPTION	DATE	APVD
B		REVISED PER ECR-16-005843	08SEP2016	BW GJ



SECTION E-E  
SCALE 10:1



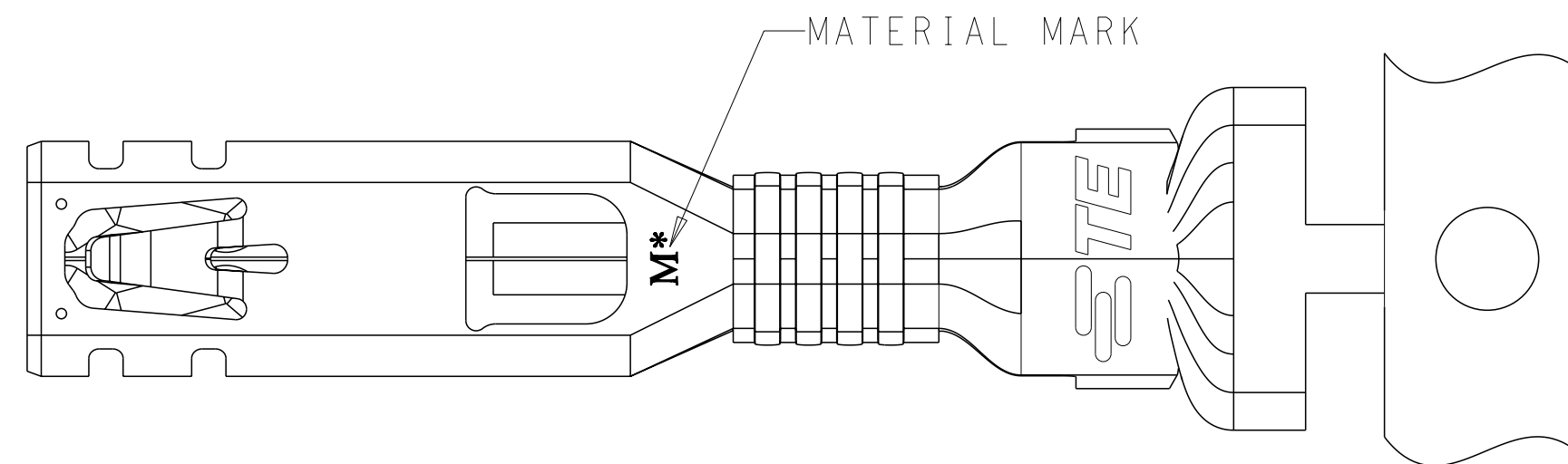
SECTION C-C  
SCALE 10:1



SECTION D-D  
SCALE 10:1

- 1 APPLICABLE MATED PLUG HOUSING P/N: \*-2232362-\*
- 2 APPLICABLE WIRE: 16-19 AWG COPPER STRANDED OR 2x 22 AWG COPPER STRANDED. FOR A #19 AWG WIRE THE RECOMMENDED MINIMUM CROSS-SECTIONAL AREA IS 0.65mm<sup>2</sup> (1300 CMA).
- 3 APPLICABLE INSULATION DIAMETER: 2.00-3.30mm (2.0 mm MAX FOR 2x 22 AWG).

⚠ PRELIMINARY - NOT FOR PRODUCTION.



COPPER ALLOY	M0	HIGH (150°C)	⚠ 2232723-2
PHOS BRONZE	M1	STANDARD (105°C)	2232723-1
MATERIAL	MATERIAL MARK	TEMP. RATING	PART NO.

THIS DRAWING IS A CONTROLLED DOCUMENT.		DWN WEST WANG 20MAR2014	TE Connectivity	
DIMENSIONS: mm		CHK DANIEL ZHANG 20MAR2014		
TOLERANCES UNLESS OTHERWISE SPECIFIED:		APVD YUHONG MAO 20MAR2014	NAME	
0 PLC ±		PRODUCT SPEC	RECEPTACLE CONTACT	
1 PLC ±0.5		108-106147	3P MFBL POWER TRIPLE LOCK	
2 PLC ±0.30		APPLICATION SPEC	-	
3 PLC ±		114-106147	SIZE	CAGE CODE
4 PLC ±		WEIGHT	A2	00779
ANGLES ±		Customer Drawing	DRAWING NO	RESTRICTED TO
FINISH PRE-TIN		SCALE	G-2232723	-
SEE TABLE		SHEET	1	OF 1
		REV	B	

## X-ON Electronics

Largest Supplier of Electrical and Electronic Components

*Click to view similar products for [Heavy Duty Power Connectors](#) category:*

*Click to view products by [TE Connectivity](#) manufacturer:*

Other Similar products are found below :

[647757-1](#) [6643411-1](#) [6646058-2](#) [6646137-1](#) [6646138-1](#) [6646479-1](#) [6646608-1](#) [6646786-1](#) [6646940-1](#) [6651091-1](#) [6651525-1](#) [6651529-1](#)  
[6651788-1](#) [696475-1](#) [702-32-01109](#) [703-25-02205](#) [73000005059](#) [73000005642](#) [73080255059](#) [73080965046](#) [765-15-0080A](#) [765-16-0080B](#)  
[765-18-0080D](#) [829992-1](#) [902-77-02113](#) [PS00/A0620/6300](#) [PS25/A0420/63](#) [129-1J](#) [1409400](#) [AN0024023](#) [E6374G1](#) [e6389g2](#) [157-43GW8](#)  
[MS3117-14AC](#) [1643543-1](#) [1650540-1](#) [1651811-2](#) [1766260-1](#) [1766282-1](#) [1766966-1](#) [1791340000](#) [NLDFT-3-BL-L-S120-M40A](#) [NLDFT-N-](#)  
[W-L-C240-M40B](#) [NLS-2-R-C240-M40B](#) [NLS-N-W-C240-M40B](#) [NPS-3-BL-T6](#) [1986615-1](#) [2-1589900-8](#) [2199314-1](#) [KA8102](#)