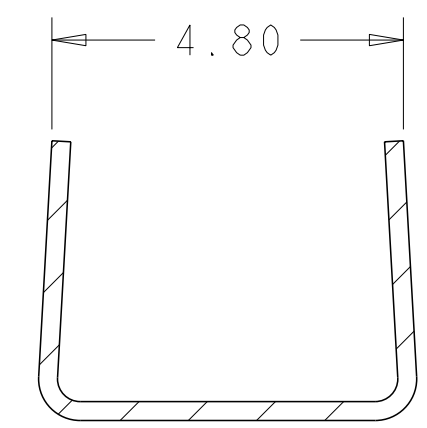


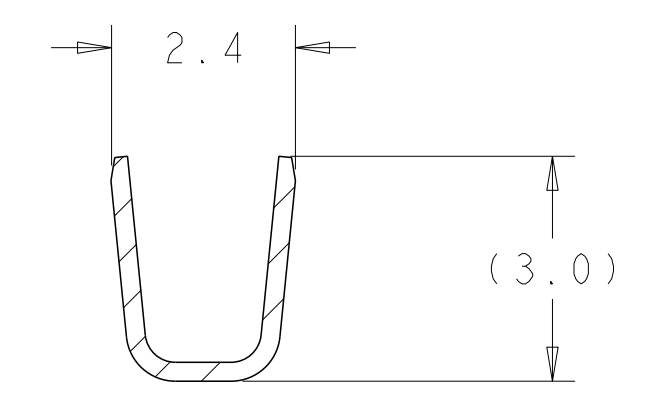
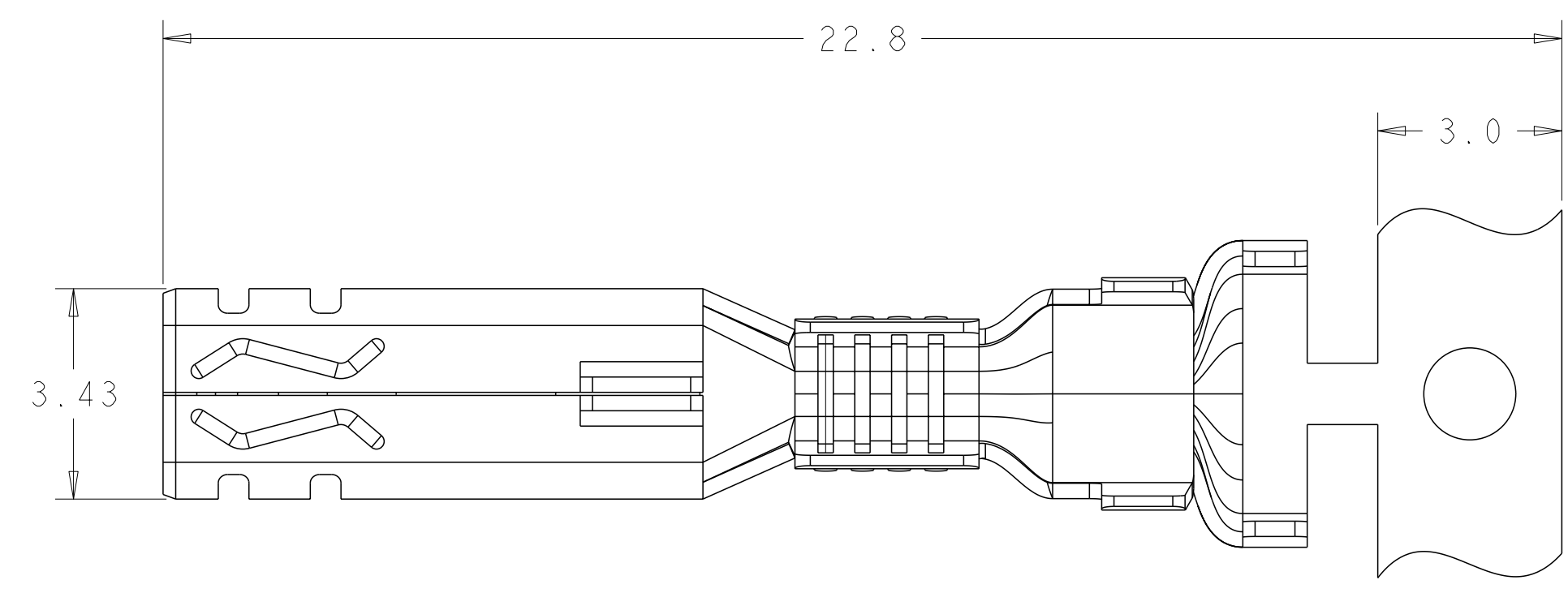
THIS DRAWING IS UNPUBLISHED. RELEASED FOR PUBLICATION 20  
 © COPYRIGHT 20 BY - ALL RIGHTS RESERVED.

LOC	DIST
ES	00

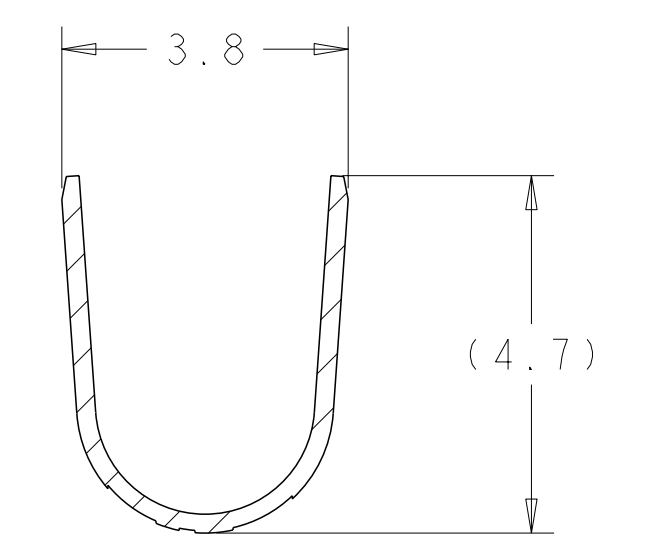
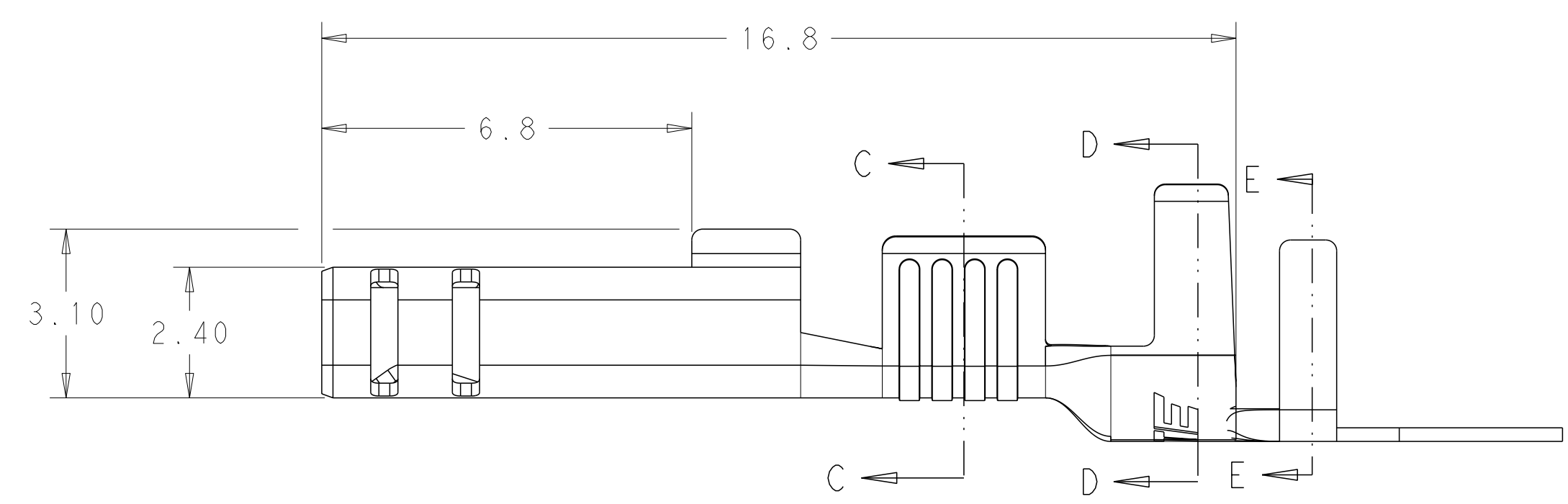
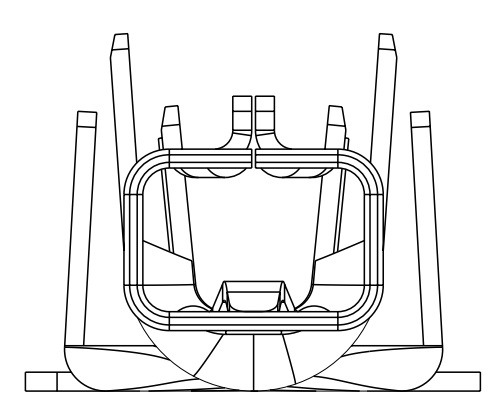
REVISIONS				
P	LTR	DESCRIPTION	DATE	APVD
B		REVISED PER ECR-16-005843	08SEP2016	BW GJ



SECTION E-E  
SCALE 10:1

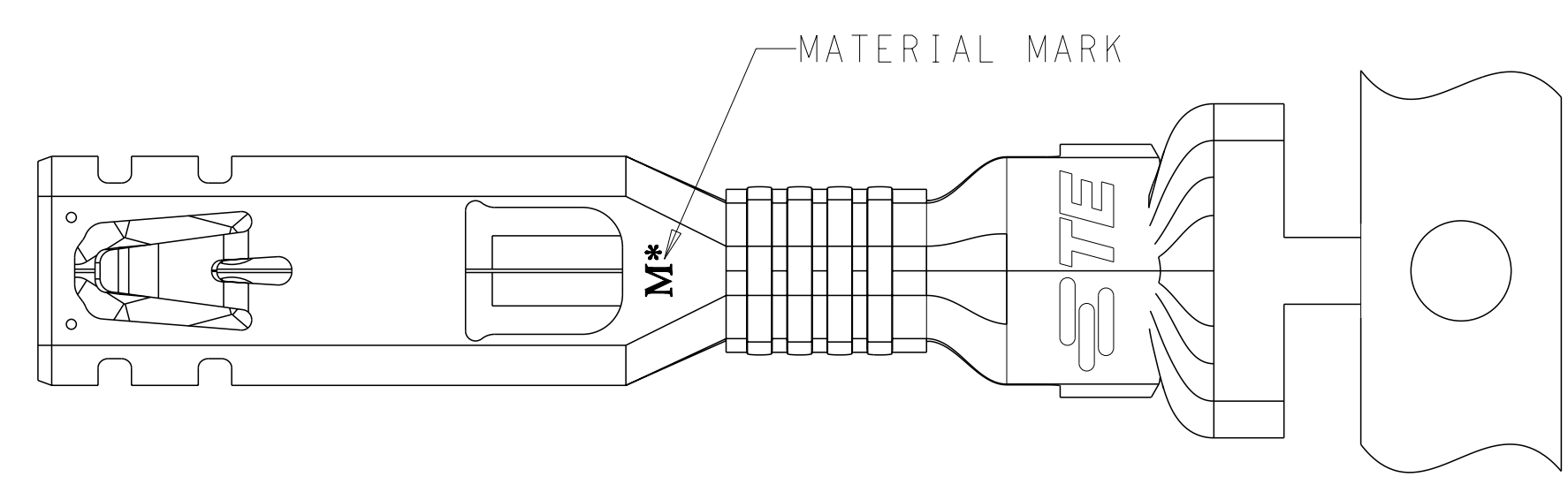


SECTION C-C  
SCALE 10:1



SECTION D-D  
SCALE 10:1

- 1 APPLICABLE MATED PLUG HOUSING P/N: \*-2232362-\*
- 2 APPLICABLE WIRE: 16-19 AWG COPPER STRANDED OR 2x 22 AWG COPPER STRANDED. FOR A #19 AWG WIRE THE RECOMMENDED MINIMUM CROSS-SECTIONAL AREA IS 0.65mm<sup>2</sup> (1300 CMA).
- 3 APPLICABLE INSULATION DIAMETER: 2.00-3.30mm (2.0 mm MAX FOR 2x 22 AWG).
- 4 PRELIMINARY - NOT FOR PRODUCTION.



COPPER ALLOY	M0	HIGH (150°C)	4 2232723-2
PHOS BRONZE	M1	STANDARD (105°C)	2232723-1
MATERIAL	MATERIAL MARK	TEMP. RATING	PART NO.

THIS DRAWING IS A CONTROLLED DOCUMENT.		DWN WEST WANG 20MAR2014	<b>STE</b> TE Connectivity	
DIMENSIONS: mm		CHK DANIEL ZHANG 20MAR2014		
TOLERANCES UNLESS OTHERWISE SPECIFIED:		APVD YUHONG MAO 20MAR2014	RECEPTACLE CONTACT	
0 PLC ±		PRODUCT SPEC 108-106147	3P MFBL POWER TRIPLE LOCK	
1 PLC ±0.5		APPLICATION SPEC 114-106147	SIZE A2	CAGE CODE 00779
2 PLC ±0.30		WEIGHT -	DRAWING NO C-2232723	RESTRICTED TO -
3 PLC ±		FINISH PRE-TIN	SCALE -	SHEET 1 OF 1
4 PLC ±		MATERIAL SEE TABLE	Customer Drawing	REV B
ANGLES ±				

## X-ON Electronics

Largest Supplier of Electrical and Electronic Components

*Click to view similar products for [Heavy Duty Power Connectors](#) category:*

*Click to view products by [TE Connectivity](#) manufacturer:*

Other Similar products are found below :

[6646058-2](#) [6646137-1](#) [6646138-1](#) [6646940-1](#) [6651091-1](#) [6651525-1](#) [6651529-1](#) [696475-1](#) [702-32-01109](#) [73080255059](#) [73080965046](#)  
[7310205040001](#) [765-16-0080B](#) [765-18-0080D](#) [902-77-02113](#) [PS00/A0620/6300](#) [AN0024023](#) [154-42B7WM250](#) [MS3117-14AC](#) [1643543-1](#)  
[1766966-1](#) [1791340000](#) [NLDFT-3-BL-L-S120-M40A](#) [NLDFT-N-W-L-C240-M40B](#) [1926015-1](#) [NLS-3-BL-C240-M40B](#) [NLS-N-W-C240-](#)  
[M40B](#) [NPS-3-BL-T6](#) [2-1589900-8](#) [9300480317](#) [294-0091-01100](#) [296-0040-01100](#) [1-6609148-0](#) [A32595-0049](#) [1766249-1](#) [19000005132](#)  
[1926016-1](#) [1-966831-8](#) [AN0024202](#) [AN0264023](#) [279-0841-10100A](#) [281-0334-00100A](#) [RMSB4](#) [419-2083-301](#) [LCDX4/0-14B-X](#) [075-8519-](#)  
[001](#) [078238-1613](#) [07.470.3256.0](#) [09000005288](#) [09140240311](#)