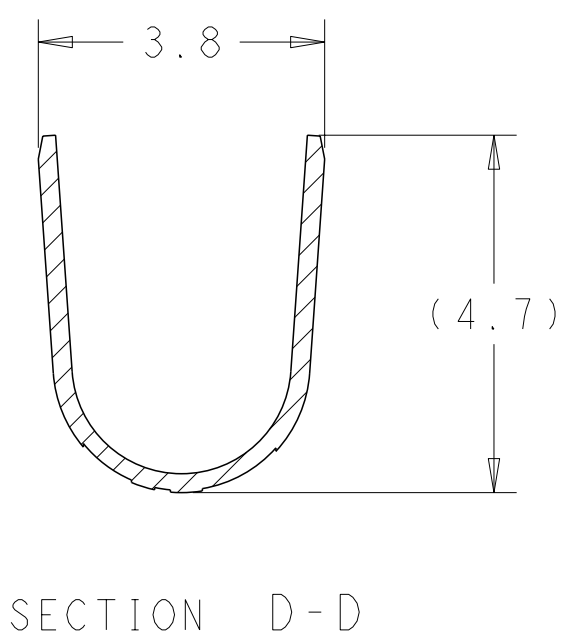
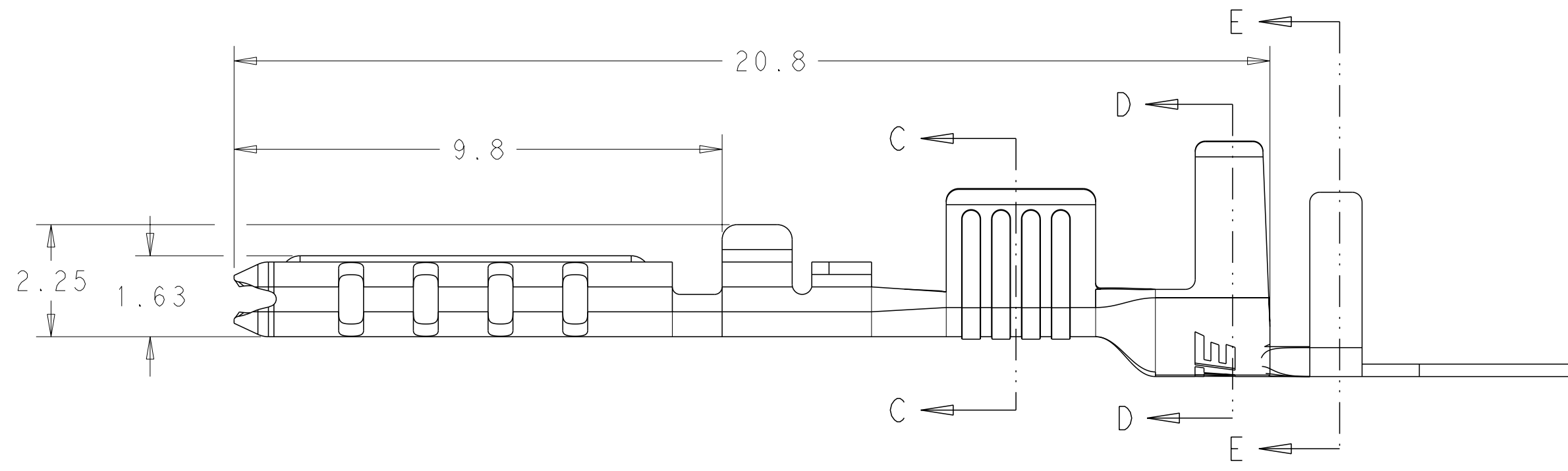
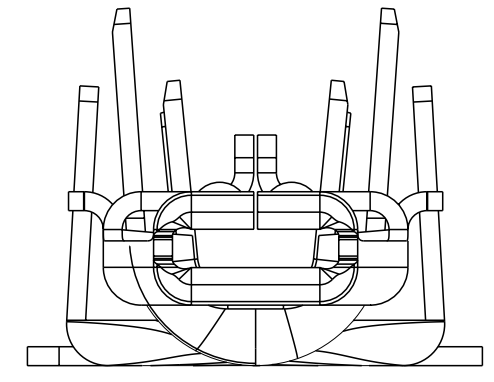
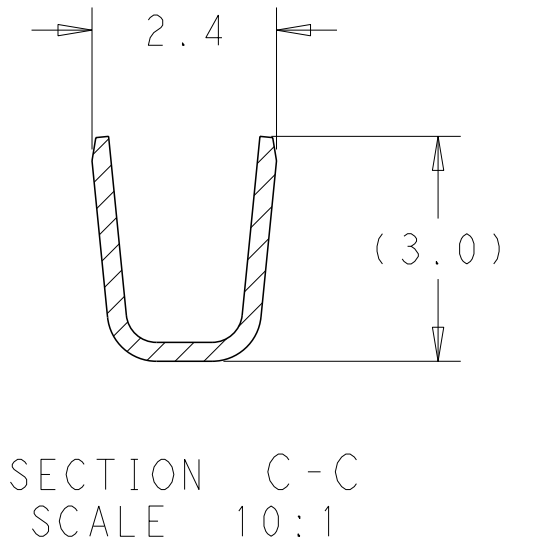
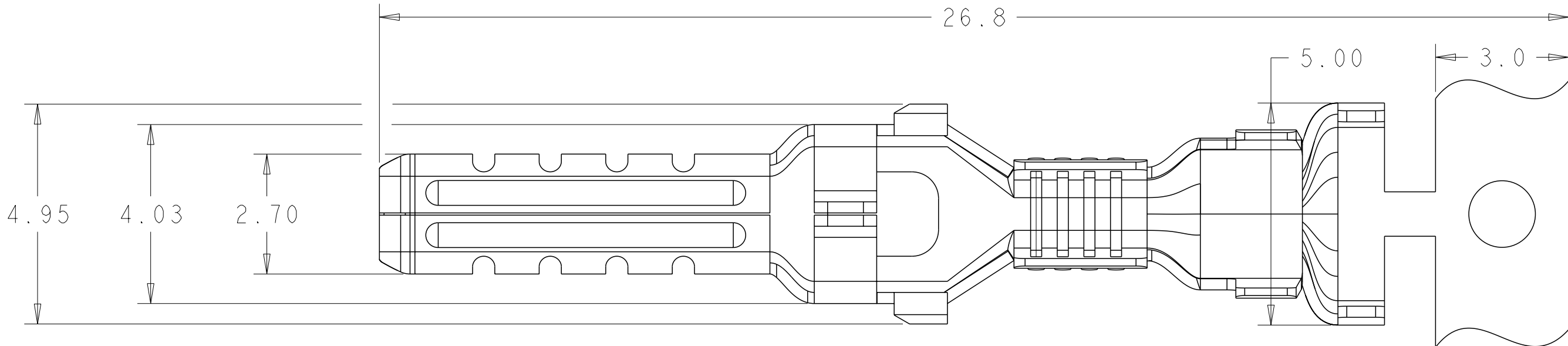
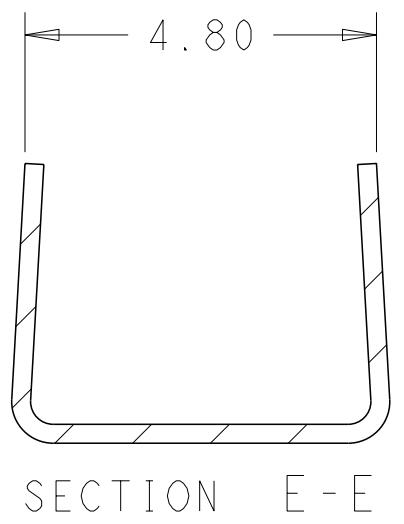


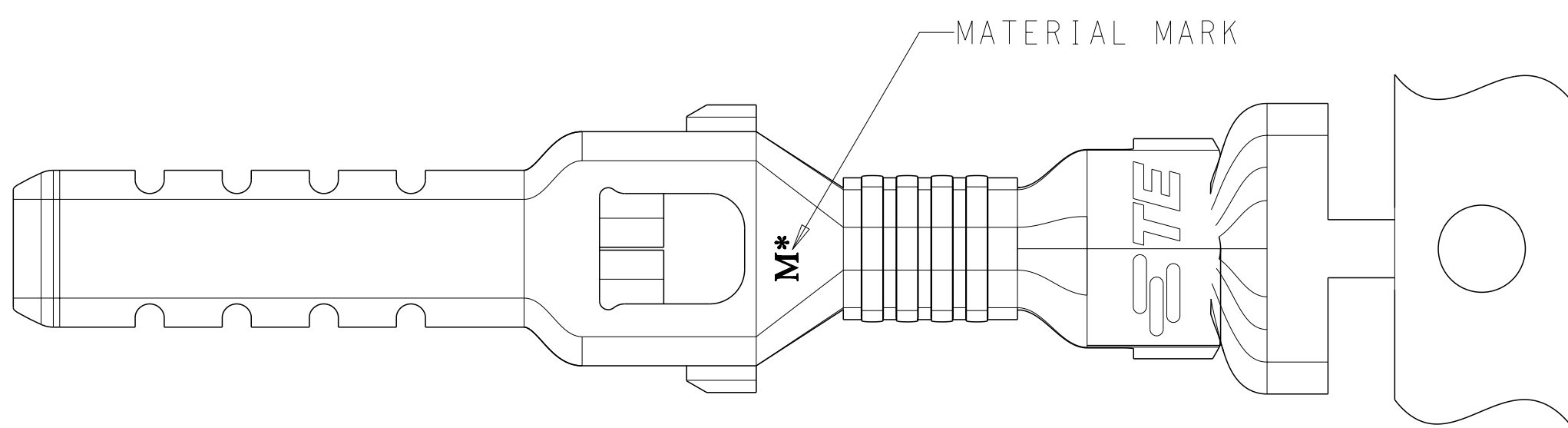
THIS DRAWING IS UNPUBLISHED. RELEASED FOR PUBLICATION 20
 © COPYRIGHT 20 BY - ALL RIGHTS RESERVED.

LOC ES DIST 00

REVISIONS					
P	LTR	DESCRIPTION	DATE	DWN	APVD
B		REVISED PER ECO-16-013278	08SEP2016	RS	GJ



- 1 APPLICABLE MATED CAP HOUSING P/N: *-2232353-* (CENTER CURCUIT ONLY)
- 2 APPLICABLE WIRE: 16-19AWG COPPER STRANDED OR 2x 22 AWG COPPER STRANDED. FOR A #19 AWG WIRE THE RECOMMENDED MINIMUM CROSS-SECTIONAL AREA IS 0.65mm² (1300 CMA).
- 3 APPLICABLE INSULATION DIAMETER: 2.00-3.30mm (2.0 mm MAX FOR 2x 22 AWG)



⚠ PRELIMINARY - NOT FOR PRODUCTION.

COPPER ALLOY	M0	HIGH (150°C)	⚠ 2232724-2
BRASS	M8	STANDARD (105°C)	2232724-1
MATERIAL	MATERIAL MARK	TEMP. RATING	PART NO.

THIS DRAWING IS A CONTROLLED DOCUMENT.

DWN WEST WANG 20MAR2014	TE Connectivity
CHK DANIEL ZHANG 20MAR2014	
APVD YUHONG MAO 20MAR2014	
NAME	
DIMENSIONS: mm TOLERANCES UNLESS OTHERWISE SPECIFIED: 0 PLC ± 1 PLC ±0.5 2 PLC ±0.30 3 PLC ± 4 PLC ± ANGLES ± FINISH	PRODUCT SPEC 108-106147 APPLICATION SPEC 114-106147 WEIGHT - PRE-TIN
MATERIAL SEE TABLE	SIZE A2 CAGE CODE 00779 DRAWING NO C-2232724 RESTRICTED TO - SCALE - SHEET 1 OF 1 REV B

Customer Drawing

X-ON Electronics

Largest Supplier of Electrical and Electronic Components

Click to view similar products for [Heavy Duty Power Connectors](#) category:

Click to view products by [TE Connectivity](#) manufacturer:

Other Similar products are found below :

[647757-1](#) [6643411-1](#) [6646058-2](#) [6646137-1](#) [6646138-1](#) [6646479-1](#) [6646608-1](#) [6646786-1](#) [6646940-1](#) [6651091-1](#) [6651525-1](#) [6651529-1](#)
[6651788-1](#) [696475-1](#) [702-32-01109](#) [703-25-02205](#) [73000005059](#) [73000005642](#) [73080255059](#) [73080965046](#) [765-15-0080A](#) [765-16-0080B](#)
[765-18-0080D](#) [829992-1](#) [902-77-02113](#) [PS00/A0620/6300](#) [PS25/A0420/63](#) [129-1J](#) [1409400](#) [AN0024023](#) [E6374G1](#) [e6389g2](#) [157-43GW8](#)
[MS3117-14AC](#) [1643543-1](#) [1650540-1](#) [1651811-2](#) [1766260-1](#) [1766282-1](#) [1766966-1](#) [1791340000](#) [NLDFT-3-BL-L-S120-M40A](#) [NLDFT-N-](#)
[W-L-C240-M40B](#) [NLS-2-R-C240-M40B](#) [NLS-N-W-C240-M40B](#) [NPS-3-BL-T6](#) [1986615-1](#) [2-1589900-8](#) [2199314-1](#) [KA8102](#)