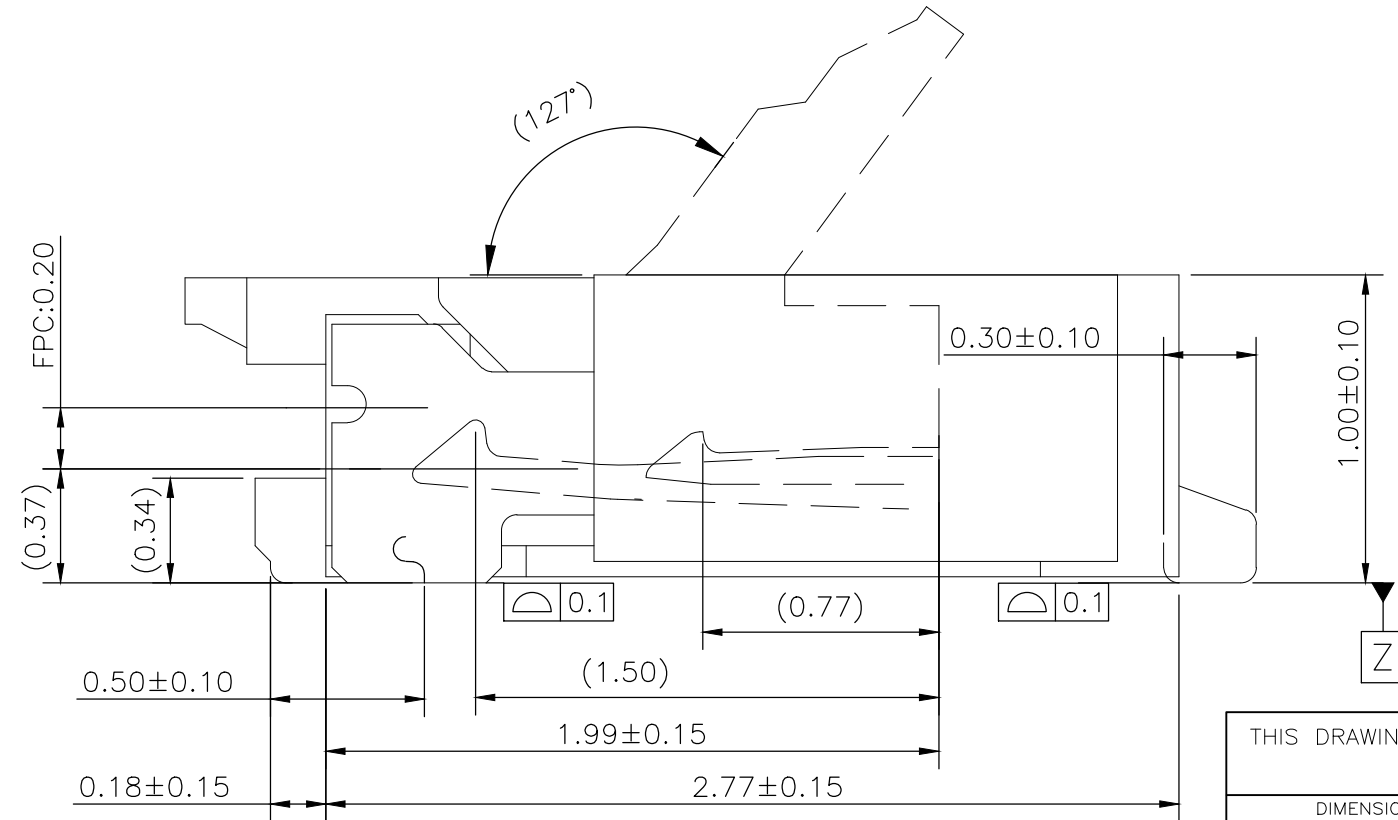
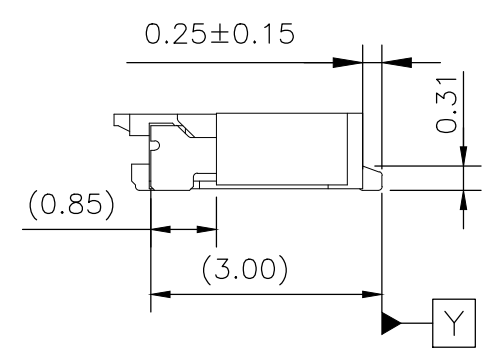
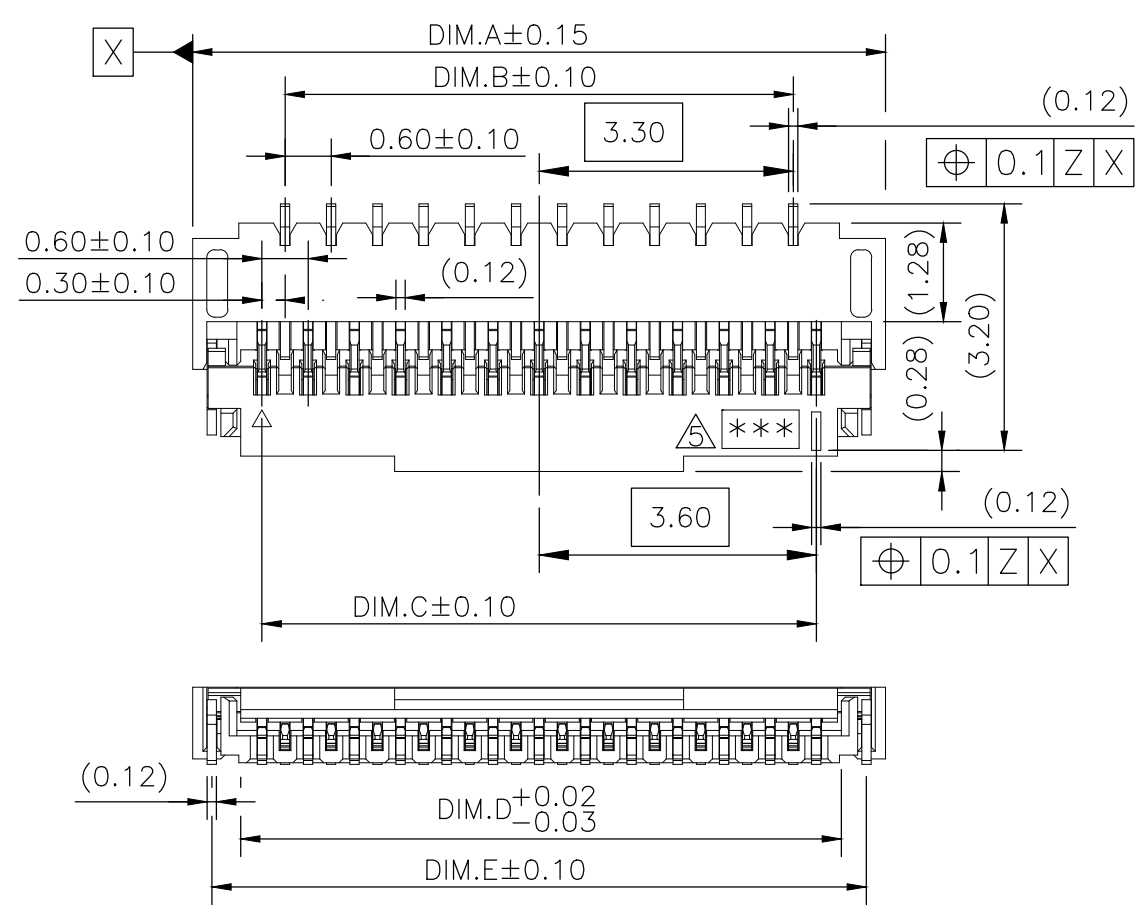


THIS DRAWING IS UNPUBLISHED. RELEASED FOR PUBLICATION  
 © COPYRIGHT - - ALL RIGHTS RESERVED.

| REVISIONS |     |                               |           |     |      |
|-----------|-----|-------------------------------|-----------|-----|------|
| P         | LTR | DESCRIPTION                   | DATE      | DWN | APVD |
|           | 3   | modify the packaging specific | 03AUG2018 | E.Z | W.H  |



- NOTES:
- MATERIAL:
    - HOUSING : HIGH TEMPERATURE THERMOPLASTIC UL94V-0, COLOR: NATURAL.
    - ACTUATOR: HIGH TEMPERATURE THERMOPLASTIC UL94V-HB, COLOR: BLACK.
    - CONTACT: COPPER ALLOY.
    - FITTING NAIL : COPPER ALLOY.
  - FINISH:
    - CONTACT: GOLD PLATING 3u" MIN. ON CONTACT AREA. GOLD PLATING 1u" MIN. ON SOLDER TAILS. 50u"MIN. NICKEL UNDERPLATING OVERALL.
    - FITTING NAIL: TIN PLATING 80u" MIN. ON SOLDER TAILS. 50u" MIN. NICKEL UNDERPLATING OVERALL.
  - SPECIFICATION:
 

VOLTAGE: 30V AC/DC  
 CURRENT RATING: 0.5 AMPERE  
 CONTACT RESISTANCE: INITIAL 50 mOHMS MAX. AFTER TEST Δ30 mOHMS MAX.  
 DIELECTRIC WITHSTANDING VOLTAGE: 250V AC/1 MINUTE;  
 INSULATION RESISTANCE: 500M OHMS MIN.  
 FFC/FPC WITHDRAWL FORCE: 0.20N PER CONTACT MIN;  
 FFC/FPC THICKNESS: 0.20+/-0.03mm.
  - THE PRODUCT IS RoHS AND HF COMPLIANT.
- ⚠ PIN NO.

| 45      | 13.8  | 14.5  | 13.85 | 13.2  | 12.6  | 15.0  | 4-2328724-5 |
|---------|-------|-------|-------|-------|-------|-------|-------------|
| 39      | 12.0  | 12.7  | 12.05 | 11.4  | 10.8  | 13.2  | 3-2328724-9 |
| 33      | 10.2  | 10.9  | 10.25 | 9.6   | 9.0   | 11.4  | 3-2328724-3 |
| 31      | 9.6   | 10.3  | 9.65  | 9.0   | 8.4   | 10.8  | 3-2328724-1 |
| 25      | 7.8   | 8.5   | 7.85  | 7.2   | 6.6   | 9.0   | 2-2328724-5 |
| 21      | 6.6   | 7.3   | 6.65  | 6.0   | 5.4   | 7.8   | 2-2328724-1 |
| 15      | 4.8   | 5.5   | 4.85  | 4.2   | 3.6   | 6.0   | 1-2328724-5 |
| 13      | 4.2   | 4.9   | 4.25  | 3.6   | 3.0   | 5.4   | 1-2328724-3 |
| PIN NO. | DIM.F | DIM.E | DIM.D | DIM.C | DIM.B | DIM.A | PART NO.    |

THIS DRAWING IS A CONTROLLED DOCUMENT.

|                                  |   |
|----------------------------------|---|
| DWN<br>Eliana.Zhang<br>29DEC2017 | <br>TE Connectivity<br>FPC CONNECTOR PITCH=0.30mm<br>FRONT FLIP |
| CHK<br>Wenke.He<br>29DEC2017     |   |
| APVD<br>Wenke.He<br>29DEC2017    |   |
| NAME<br>108-115143               |   |
| PRODUCT SPEC<br>108-115143       | RESTRICTED TO   |
| APPLICATION SPEC                 | SIZE<br>A3  |
| WEIGHT<br>SEE TABLE              | CAGE CODE<br>-  |
| CUSTOMER DRAWING                 | DRAWING NO<br>C-2328724   |
|                                  | SCALE<br>10:1   |
|                                  | SHEET<br>1 OF 3   |
|                                  | REV<br>3  |

THIS DRAWING IS UNPUBLISHED.

RELEASED FOR PUBLICATION

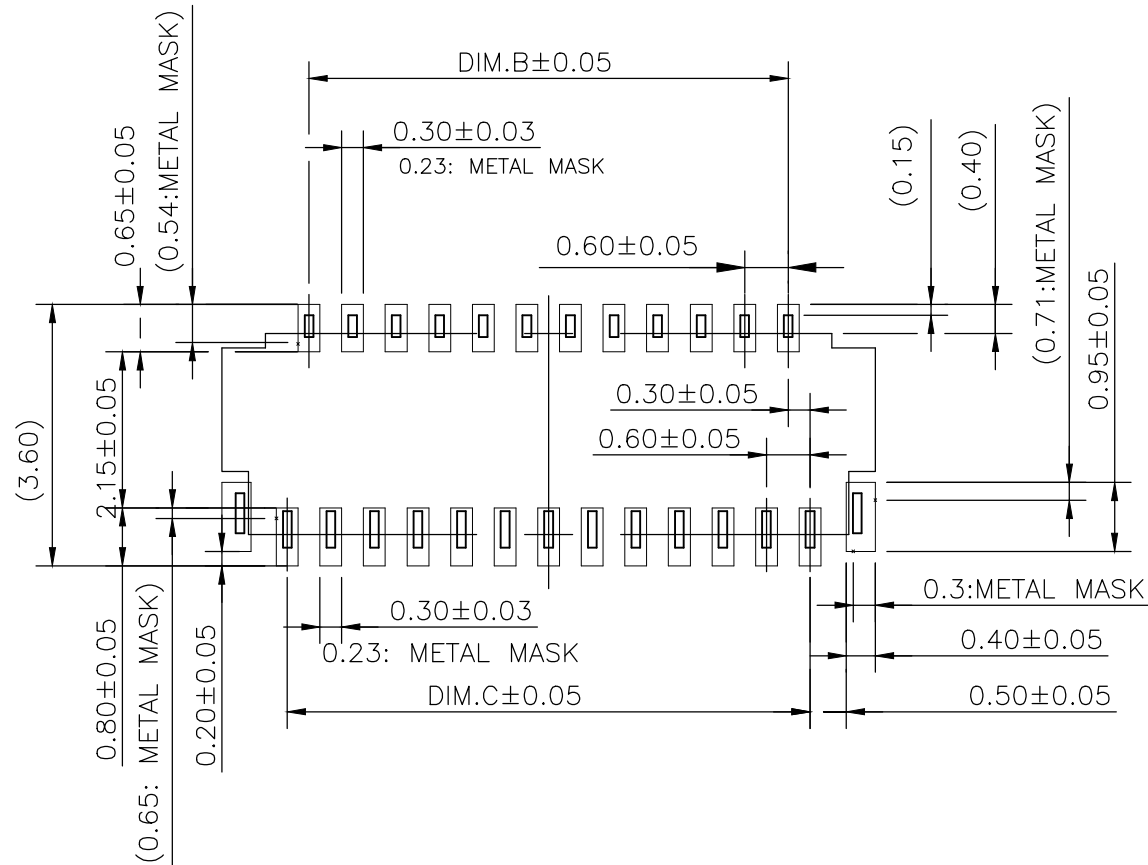
ALL RIGHTS RESERVED.

© COPYRIGHT - -

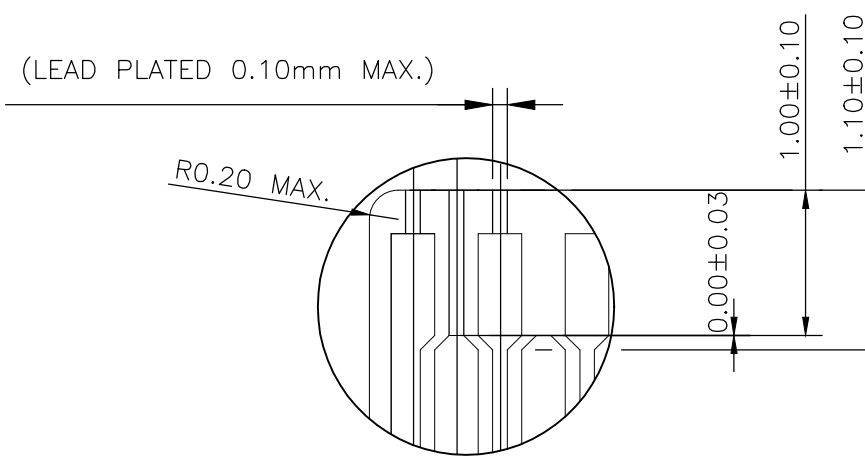
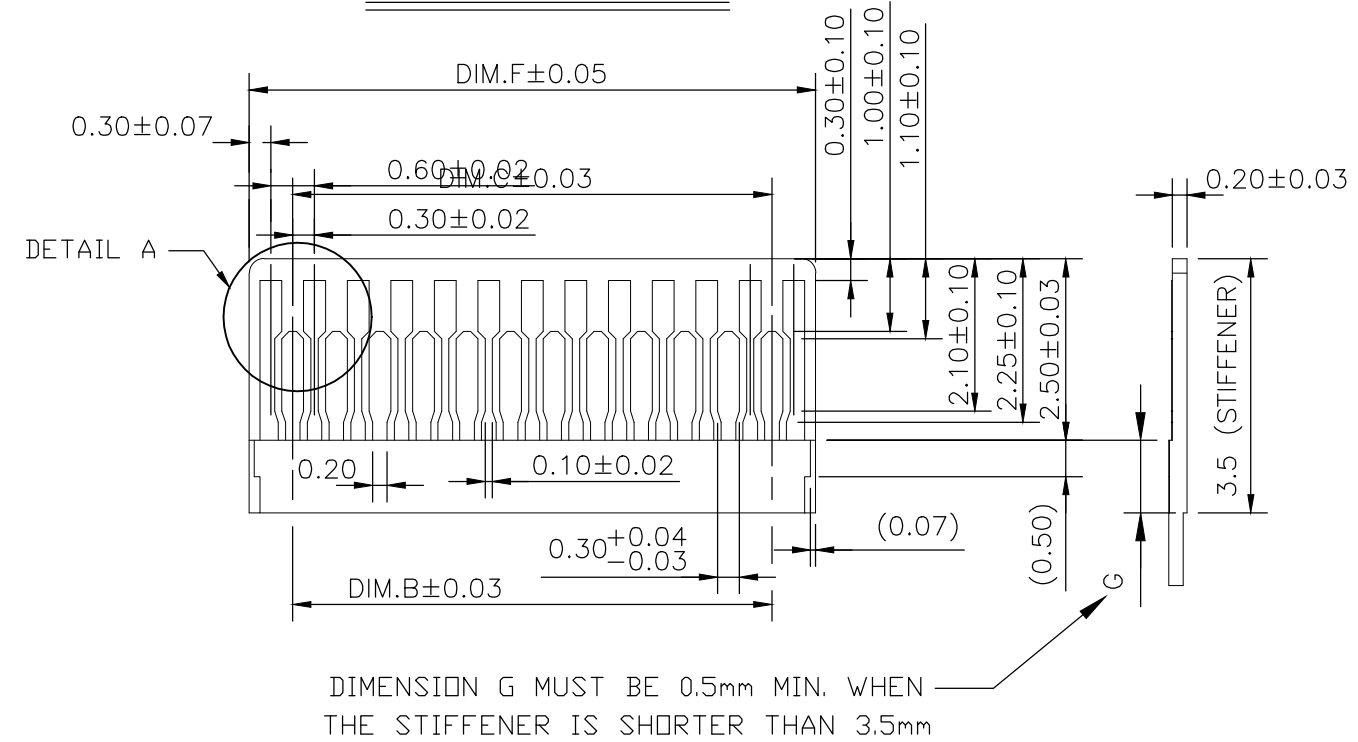
REVISIONS

| P | LTR | DESCRIPTION | DATE | DWN | APVD |
|---|-----|-------------|------|-----|------|
| - | -   | SEE SHEET 1 | -    | -   | -    |


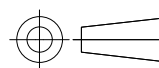
RECOMMENDED LAND PATTERN  
(RECOMMENDED METAL MASK THICKNESS:T=0.1mm)



RECOMMENDED FPC



DETAIL A

|   |  |                                  |   |               |                 |                         |               |
|---|--|----------------------------------|---|---------------|-----------------|-------------------------|---------------|
| THIS DRAWING IS A CONTROLLED DOCUMENT.  |  | DWN<br>Eliana.Zhang<br>29DEC2017 |  TE Connectivity |               |                 |                         |               |
| DIMENSIONS:<br>mm   |  | CHK<br>Wenke.He<br>29DEC2017     |   |               |                 |                         |               |
| TOLERANCES UNLESS OTHERWISE SPECIFIED:  |  | APVD<br>Wenke.He<br>29DEC2017    | NAME<br>FPC CONNECTOR PITCH=0.30mm<br>FRONT FLIP  |               |                 |                         |               |
|  |  | PRODUCT SPEC<br>108-115143       | RESTRICTED TO   |               |                 |                         |               |
| MATERIAL  |  | FINISH                           | APPLICATION SPEC  | SIZE<br>A3    | CAGE CODE<br>-  | DRAWING NO<br>C-2328724 | RESTRICTED TO |
| -   |  | -                                | WEIGHT<br>SEE TABLE   | SCALE<br>10:1 | SHEET<br>2 OF 3 | REV<br>3                |               |
| CUSTOMER DRAWING  |  |                                  |   |               |                 |                         |               |

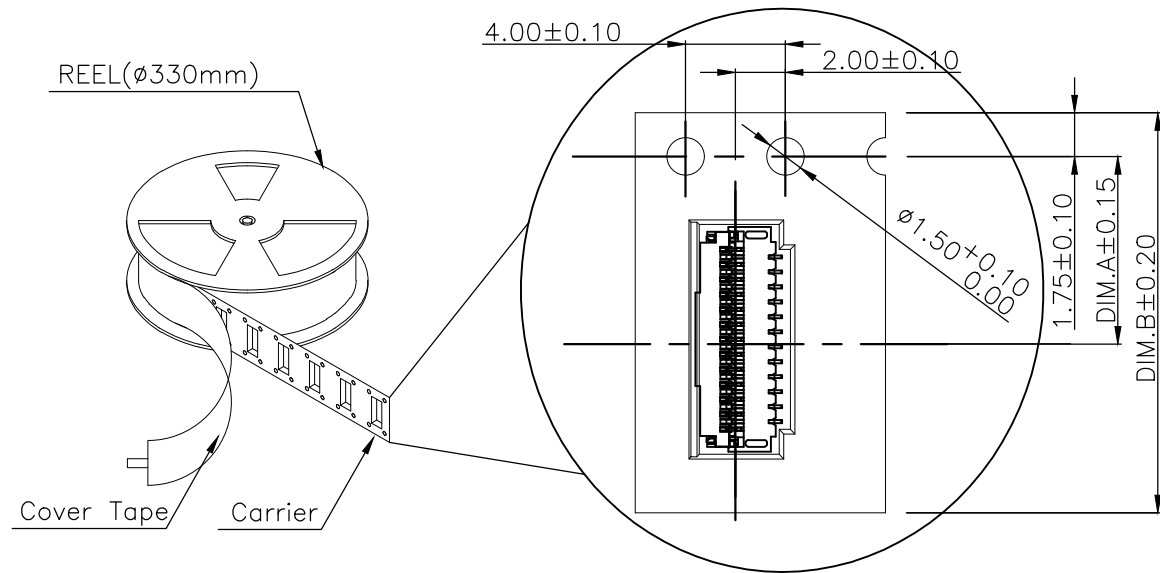
THIS DRAWING IS UNPUBLISHED.

RELEASED FOR PUBLICATION

REVISIONS

© COPYRIGHT - - ALL RIGHTS RESERVED.

| P | LTR | DESCRIPTION | DATE | DWN | APVD |
|---|-----|-------------|------|-----|------|
| - | -   | SEE SHEET 1 | -    | -   | -    |



NOTES: (APPLIED TO CURRENT SHEET)

1. THE DIRECTION OF EACH CONNECTOR ON A EMBOSS IS REFERRED TO THIS DRAWING.
2. PACKAGED IN EMBOSS TAPE AND PLASTIC RELL 5000 PCS PER RELL.
3. WINDING THE COVER TAPE AROUND THE OUTER PERIPHERY IN A TURN.

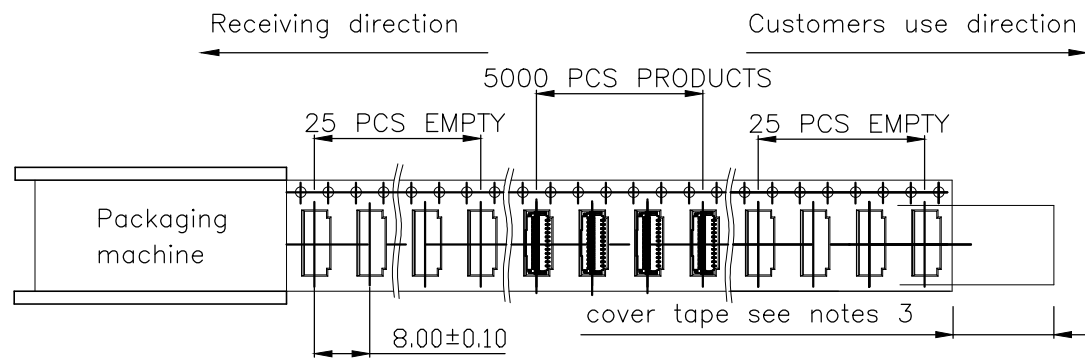
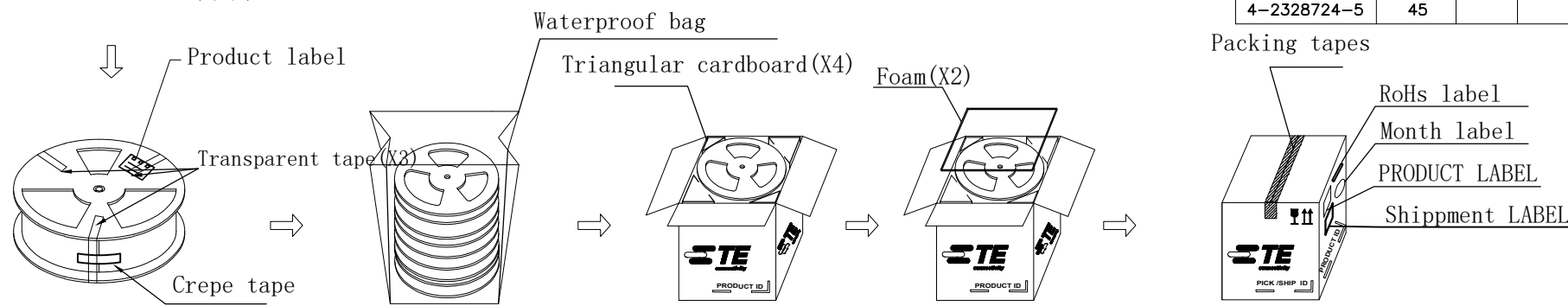


TABLE A

| P/N         | PIN NO. | Amount of packing |       |          |             | Weight of packing |               |                |         |
|-------------|---------|-------------------|-------|----------|-------------|-------------------|---------------|----------------|---------|
|             |         | DIM.A             | DIM.B | Pcs/Reel | Reel/Carton | PCS/Carton        | Unit weigh(g) | Net weight(kg) | GW (kg) |
| 1-2328724-3 | 13      | 7.50              | 16.00 | 5,000    | 7           | 35,000            | 0.0305        | 1.068          | 4.43    |
| 1-2328724-5 | 15      |                   |       | 5,000    | 7           | 35,000            | 0.0345        | 1.208          | 4.82    |
| 2-2328724-1 | 21      |                   |       | 5,000    | 7           | 35,000            | 0.0455        | 1.593          | 5.21    |
| 2-2328724-5 | 25      | 11.50             | 24.00 | 5,000    | 7           | 35,000            | 0.0550        | 1.925          | 5.48    |
| 3-2328724-1 | 31      |                   |       | 5,000    | 5           | 25,000            | 0.0645        | 1.613          | 4.99    |
| 3-2328724-3 | 33      |                   |       | 5,000    | 5           | 25,000            | 0.0665        | 1.663          | 5.08    |
| 3-2328724-9 | 39      |                   |       | 5,000    | 5           | 25,000            | 0.0775        | 1.938          | 5.37    |
| 4-2328724-5 | 45      |                   |       | 5,000    | 5           | 25,000            | 0.0885        | 2.213          | 5.64    |



|  |  |                                  |   |                 |                         |
|--|--|----------------------------------|---|-----------------|-------------------------|
| THIS DRAWING IS A CONTROLLED DOCUMENT.   |  | DWN<br>Eliana.Zhang<br>29DEC2017 | TE Connectivity<br>FPC CONNECTOR PITCH=0.30mm<br>FRONT FLIP |                 |                         |
| DIMENSIONS:<br>mm  |  | CHK<br>Wenke.He<br>29DEC2017     |   |                 |                         |
| TOLERANCES UNLESS OTHERWISE SPECIFIED:   |  | APVD<br>Wenke.He<br>29DEC2017    | NAME  |                 |                         |
| 0 PLC ± 0.4<br>1 PLC ± 0.25<br>2 PLC ± 0.15<br>3 PLC ± 0.10<br>4 PLC ± -<br>ANGLES ± 3.0 |  | PRODUCT SPEC<br>108-115143       | RESTRICTED TO   |                 |                         |
| MATERIAL   |  | APPLICATION SPEC                 | SIZE<br>A3  | CAGE CODE<br>-  | DRAWING NO<br>G-2328724 |
| FINISH   |  | WEIGHT<br>SEE TABLE              | SCALE<br>10:1   | SHEET<br>3 of 3 | REV<br>3                |
| CUSTOMER DRAWING   |  |                                  |   |                 |                         |

## X-ON Electronics

Largest Supplier of Electrical and Electronic Components

*Click to view similar products for [FFC & FPC Connectors](#) category:*

*Click to view products by [TE Connectivity](#) manufacturer:*

Other Similar products are found below :

[FPH-1422G](#) [FPH-1602G](#) [K-FC20](#) [FH29B-80S-0.2SHW\(99\)](#) [FPH-2022G](#) [AYF332735](#) [52610-1075](#) [52610-1275](#) [52610-1934](#) [501864-3091-TR225](#) [086222026001800](#) [52610-0675](#) [62684-36210E9ALF](#) [52746-1671-TR250](#) [10051922-2810EHLF](#) [6-520415-9](#) [SFV6R-1STE9HLF](#) [XF3M-2915-1B-R100](#) [1658549-1](#) [AYF534065TA](#) [AYF351525](#) [086212040340800+](#) [AYF530365TA](#) [67000-014LF](#) [67000-004LF](#) [006207341915000+](#) [DS1020-19RT1D](#) [67000-003LF](#) [67000-011LF](#) [67000-016LF](#) [HFW14R-2STE9LF](#) [SFV32R-2STBE9HLF](#) [SFW12R-5STE9LF](#) [SFW18R-1STAE9LF](#) [SFW4R-5STE9LF](#) [52807-0430](#) [046283021002868+](#) [THD1015-8CL-SN](#) [67000-006LF](#) [502250-8027](#) [104267-9617](#) [66987-011LF](#) [AYF362535](#) [F0501-T-50-20T-R](#) [F1003-ZV-12-25T-R](#) [HFW8S-2STAE1HLF](#) [67000-008LF](#) [67000-012LF](#) [F1002-B-20-20T-R](#) [HFW15S-2STAE1HLF](#)