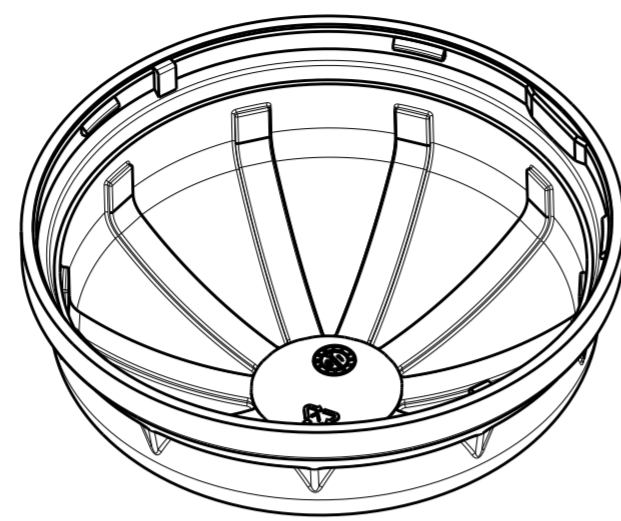
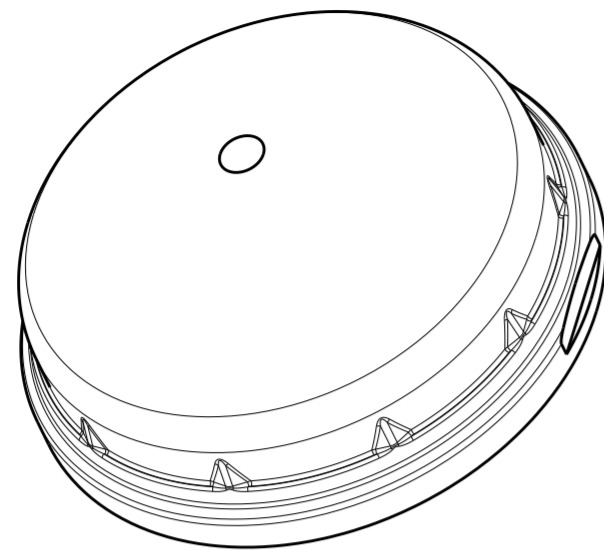
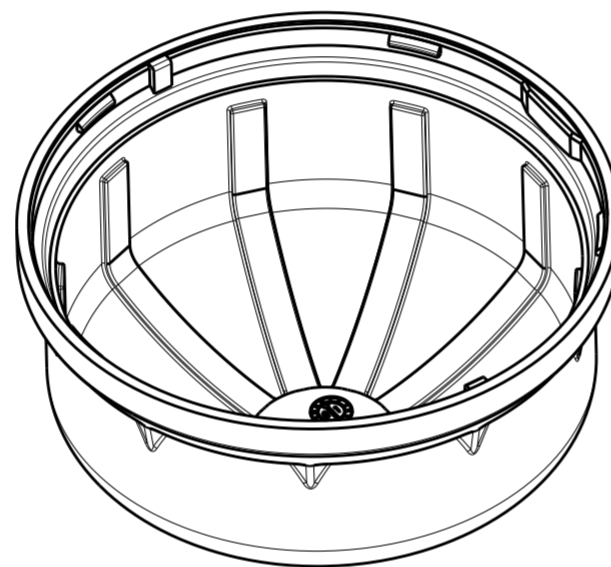
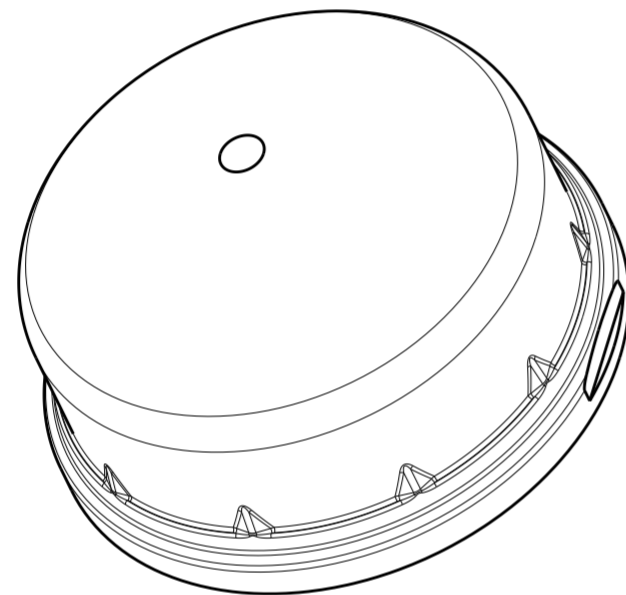


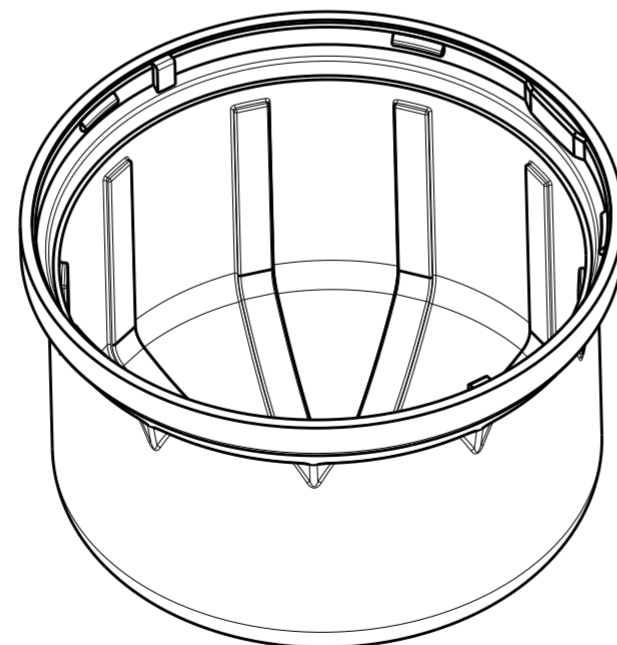
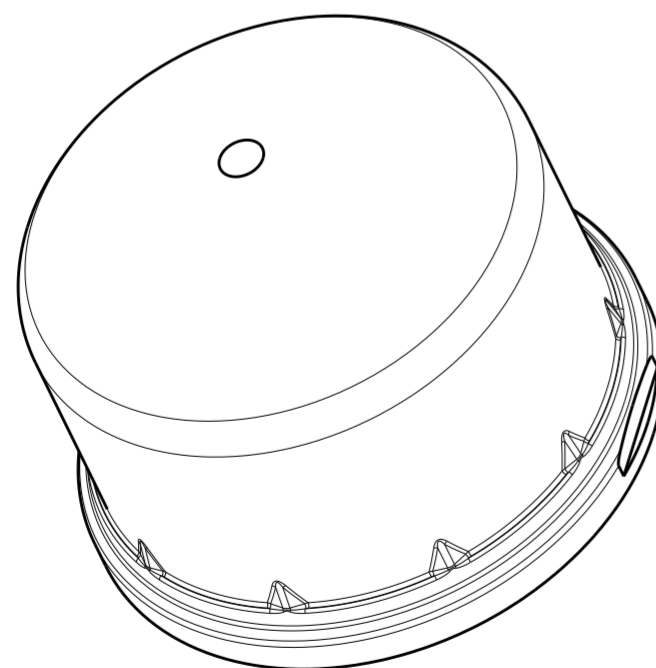
P	LTR	DESCRIPTION	DATE	DWN	APVD
A		REVISED PER ECR-18-017862	22NOV2018	SR	DD
B		REVISED PER ECR-19-008311	06JUN2019	SR	DD
B1		REVISED PER ECR-19-015297	01OCT2019	SB	DD
B2		REVISED PER ECR-20-007067	24JUN2020	SB	DD



2328823-1 AND 1-2328823-1
SHOWN



2328823-2 AND 1-2328823-2
SHOWN



2328823-3 AND 1-2328823-3
SHOWN

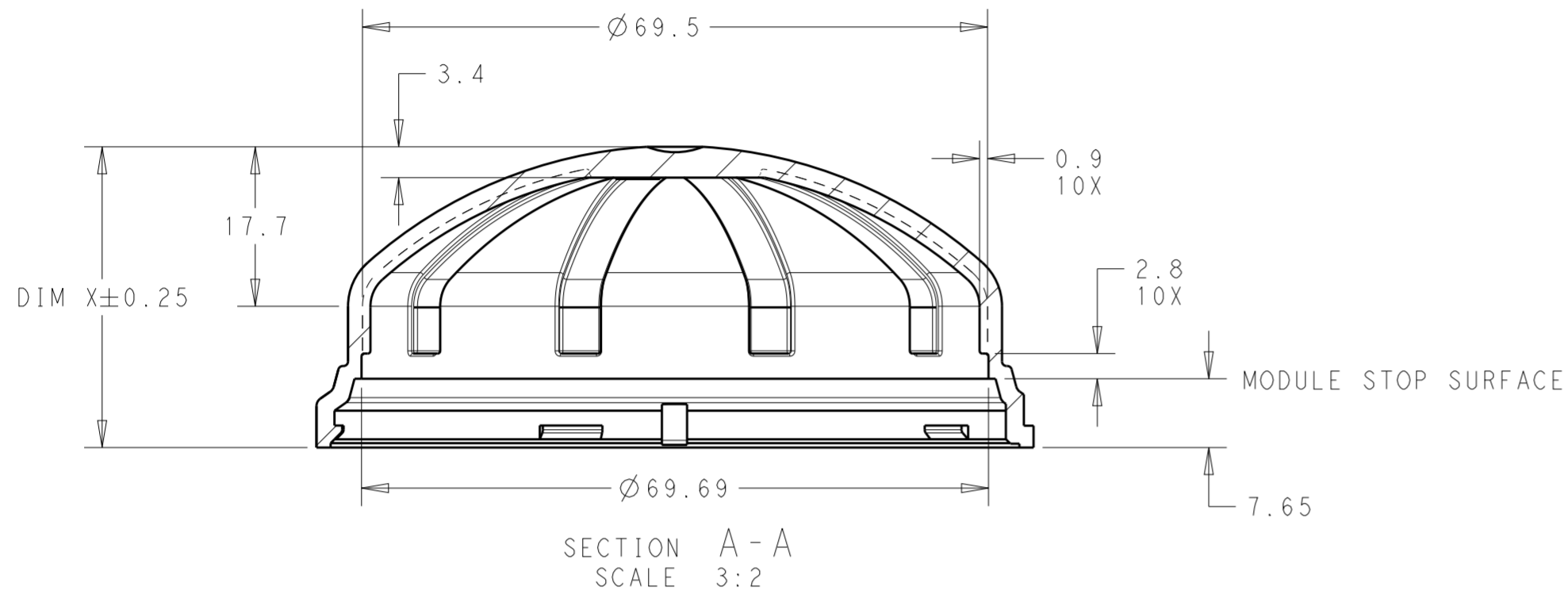
NOTES:

- 1. MATERIAL:
- POLYCARBONATE COLOR: SEE TABLE
- 2. MUST COMPLY WITH DIRECTIVE 2002/95/EC (ROHS)
- 3. MODULE BASE TE P/N: 2213831-1
- 4. PACKAGED 24 PER PLASTIC TRAY
DIM X = 33.43 AND 43.43 - 7 TRAYS PER BOX
DIM X = 58.43 - 5 TRAYS PER BOX

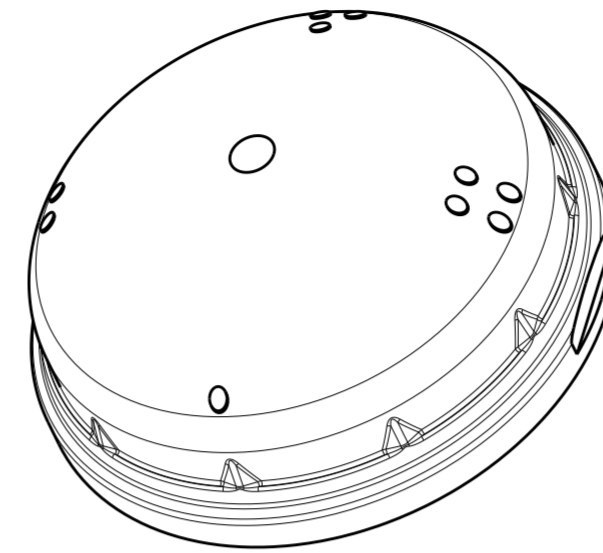
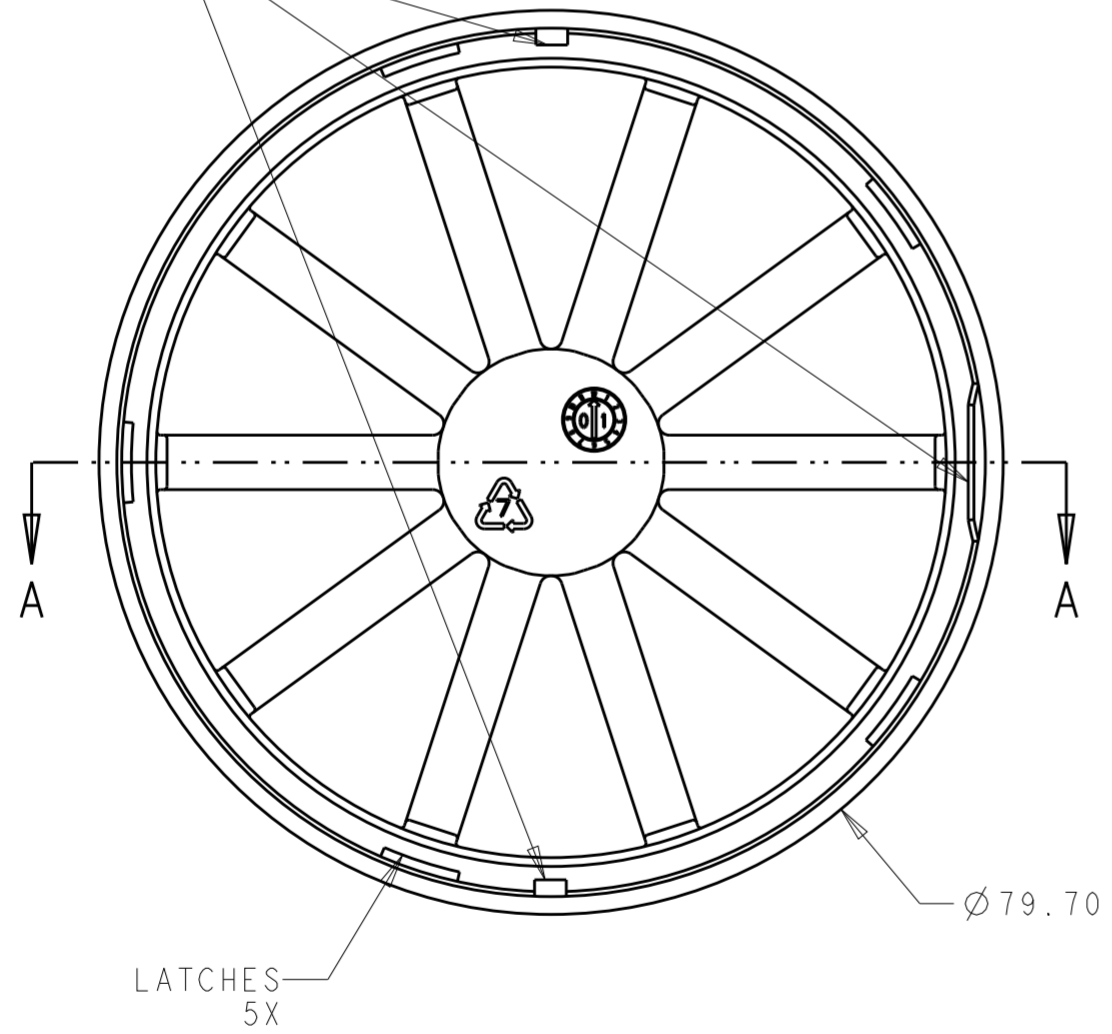
IDENTIFICATION MARKINGS	APPROX. LIGHT TRANSMISSION	COLOR	DIM X	PART NO.
NO	26%	TRANSLUCENT GRAY	58.43	4-2328823-3
NO	26%	TRANSLUCENT GRAY	43.43	4-2328823-2
NO	26%	TRANSLUCENT GRAY	33.43	4-2328823-1
YES	78%	TRANSPARENT CLEAR	58.43	3-2328823-3
YES	78%	TRANSPARENT CLEAR	43.43	3-2328823-2
YES	78%	TRANSPARENT CLEAR	33.43	3-2328823-1
YES	24%	TRANSPARENT SMOKE	58.43	2-2328823-3
YES	24%	TRANSPARENT SMOKE	43.43	2-2328823-2
YES	24%	TRANSPARENT SMOKE	33.43	2-2328823-1
NO	78%	TRANSPARENT CLEAR	58.43	1-2328823-3
NO	78%	TRANSPARENT CLEAR	43.43	1-2328823-2
NO	78%	TRANSPARENT CLEAR	33.43	1-2328823-1
NO	24%	TRANSPARENT SMOKE	58.43	2328823-3
NO	24%	TRANSPARENT SMOKE	43.43	2328823-2
NO	24%	TRANSPARENT SMOKE	33.43	2328823-1

THIS DRAWING IS A CONTROLLED DOCUMENT.		DWN C. DAILY 10 JAN 2018	TE Connectivity		
		CHK M. STOLLER 10 JAN 2018			
DIMENSIONS: mm		TOLERANCES UNLESS OTHERWISE SPECIFIED: 0 PLC ± 1 PLC ±0.2 2 PLC ±0.10 3 PLC ± 4 PLC ± ANGLES ±1° FINISH -		PRODUCT SPEC 108-133073 APPLICATION SPEC 114-133074 WEIGHT - CUSTOMER DRAWING	
MATERIAL SEE TABLE		NAME DOME, LUMAWISE ENDURANCE S, 80mm		SIZE CAGE CODE DRAWING NO RESTRICTED TO A200779 C-2328823 SCALE 1:1 SHEET 1 OF 2 REV B2	

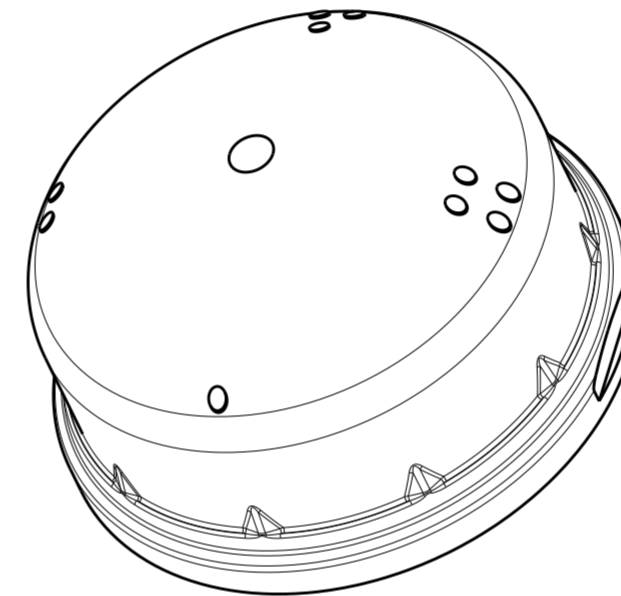
P	LTR	DESCRIPTION	DATE	DWN	APVD
-	-	SEE SHEET 1	-	-	-



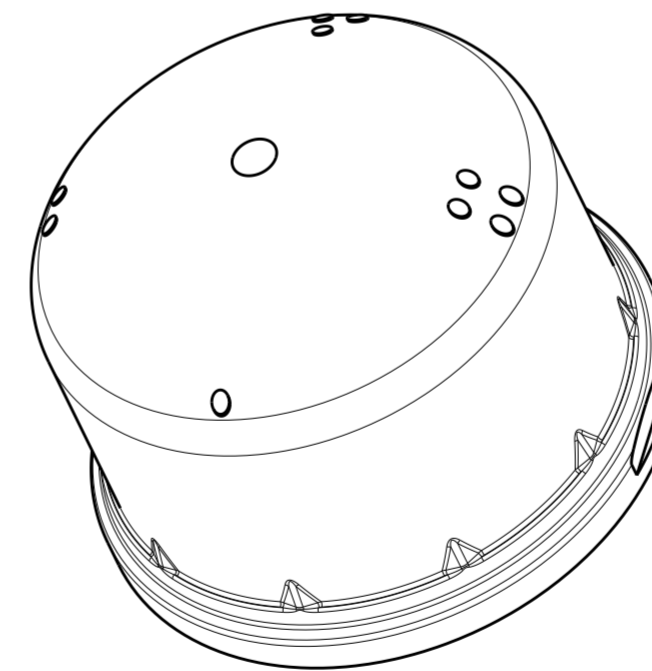
POLARIZATION FEATURES



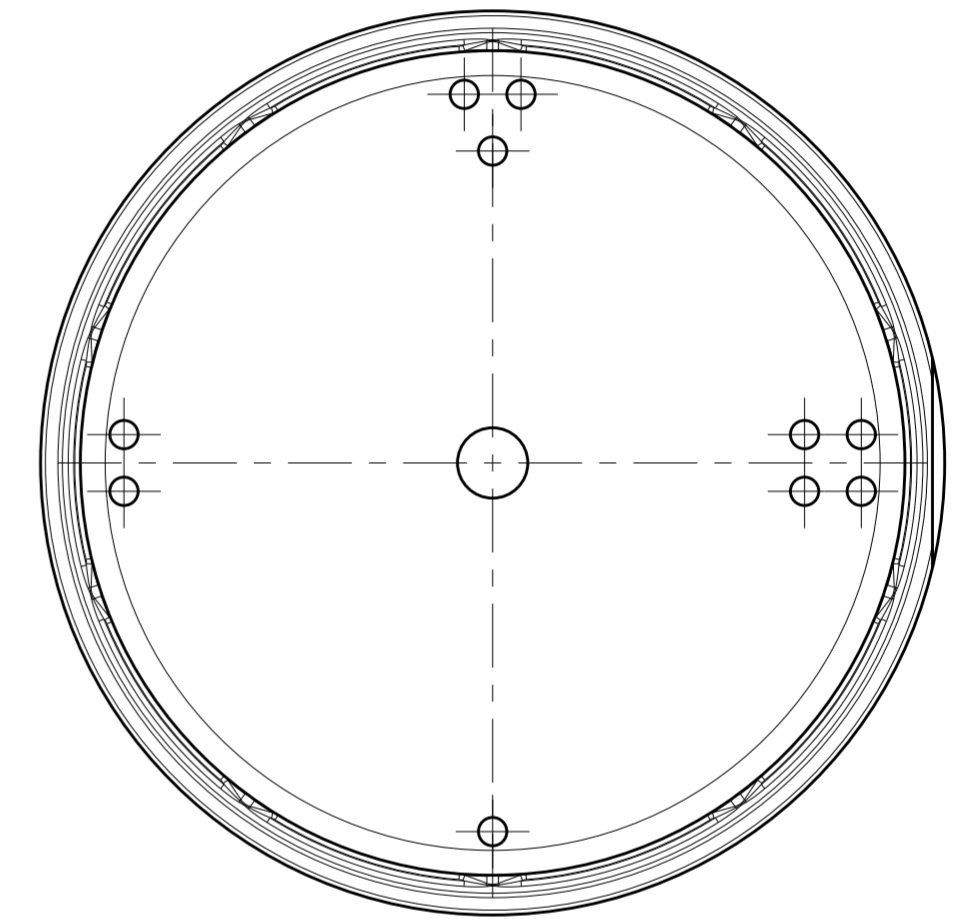
2-2328823-1 AND 3-2328823-1 SHOWN



2-2328823-2 AND 3-2328823-2 SHOWN



2-2328823-3 AND 3-2328823-3 SHOWN



IDENTIFICATION MARKING PATTERN

THIS DRAWING IS A CONTROLLED DOCUMENT.		DWN C. DAILY 10 JAN 2018	TE Connectivity	
		CHK M. STOLLER 10 JAN 2018		
DIMENSIONS: mm		TOLERANCES UNLESS OTHERWISE SPECIFIED:		NAME DOME, LUMAWISE ENDURANCE S, 80mm
		0 PLC ±	1 PLC ±0.2	PRODUCT SPEC 108-133073
		2 PLC ±0.10	3 PLC ±	APPLICATION SPEC 114-133074
		4 PLC ±	ANGLES ±1°	SIZE A200779
MATERIAL SEE TABLE		FINISH -	RESTRICTED TO	CAGE CODE C-2328823
			SCALE 1:1	DRAWING NO C-2328823
			SHEET 2 OF 2	REV B2
			CUSTOMER DRAWING	

X-ON Electronics

Largest Supplier of Electrical and Electronic Components

Click to view similar products for [Lighting Connectors](#) category:

Click to view products by [TE Connectivity](#) manufacturer:

Other Similar products are found below :

[293300-7](#) [293660-5](#) [CNX_H03_NTP](#) [30-9767-BU](#) [3605](#) [3-21030-1](#) [ZCH-110-RGB-I](#) [503471-0290](#) [ZCH-110-RGB-J](#) [217-0716-200](#)
[1954563-1](#) [1-293657-2](#) [2834036-1](#) [2834037-1](#) [1-2213222-4](#) [2-2213222-4](#) [2213222-4](#) [2834122-3](#) [2834122-5](#) [2834135-2](#) [FLA-R4142-30](#)
[FLA-R4162-30](#) [FLA-R2142-30](#) [FLA-R2141-30](#) [FLA-R2162-30](#) [FLA-R2161-30](#) [FLA-R0161-30](#) [FLA-R0141-30](#) [FLA-R0142-30](#) [FLA-](#)
[R0162-30](#) [FLA-C00-00](#) [DGA00010553](#) [CNXV04NTP](#) [104128-0610](#) [503485-0000 \(Cut Strip\)](#) [503485-0000 \(Loose Piece\)](#) [503485-0000](#)
[\(MINI Reel\)](#) [1-2834074-2](#) [1-2834074-3](#) [1357-AC PLUG W2C \(CHINA\)](#) [1357-AC PLUG W2 \(USA\)](#) [104266-0110](#) [2106212-1](#) [2-2834074-2](#)
[104266-0210](#) [293470-1](#) [293651-2](#) [293651-4](#) [1-2834006-2](#) [293651-1](#)