

4

3

2

1

THIS DRAWING IS UNPUBLISHED.

RELEASED FOR PUBLICATION

20

© COPYRIGHT 20

BY -

ALL RIGHTS RESERVED.

LOC
AF

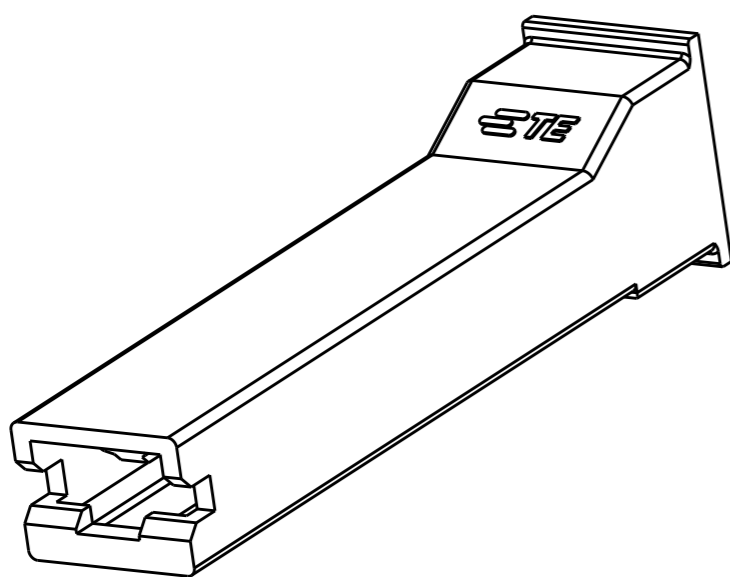
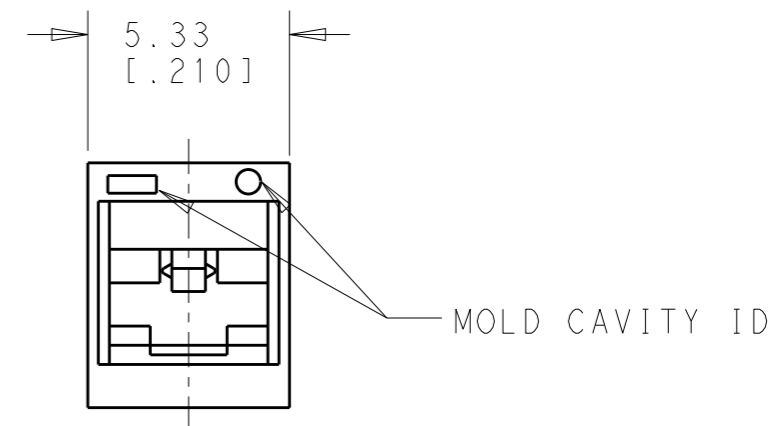
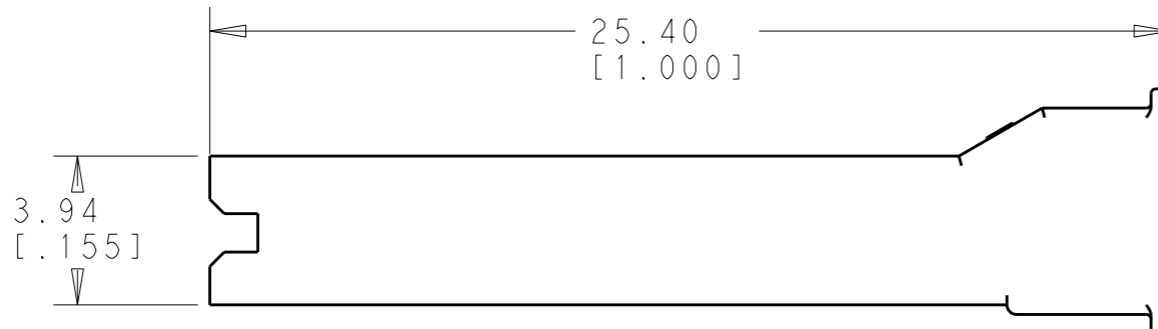
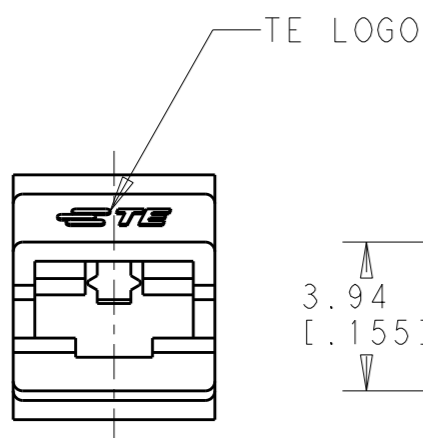
DIST
50

REVISIONS


P	LTR	DESCRIPTION	DATE	DWN	APVD
	B1	REVISED PER ECR-18-003787	16MAR2018	BW	SD



1 THIS HOUSING ACCEPTS A 2.79 [.110] SERIES PART NUMBER 1742975-1.



1-2232942-4
1-2232942-2
1-2232942-1
2232942-1
PART NO.

THIS DRAWING IS A CONTROLLED DOCUMENT.		DWN JR RUTH 12FEB15	 TE Connectivity			
DIMENSIONS: mm [INCHES]		CHK DAVE HUMPHREY 12FEB15				
TOLERANCES UNLESS OTHERWISE SPECIFIED:		APVD MELISSA STANLEY 12FEB15	NAME HOUSING, RECEPTACLE, POSI-LOCK, .110 SERIES			
0 PLC ±- 1 PLC ±- 2 PLC ±0.40 [.0157] 3 PLC ±- 4 PLC ±- ANGLES ±-		PRODUCT SPEC -	APPLICATION SPEC -			
MATERIAL NYLON, V0	FINISH NATURAL	WEIGHT -	SIZE A3	CAGE CODE 00779	DRAWING NO C-2232942	RESTRICTED TO -
CUSTOMER DRAWING			SCALE N/A	SHEET 1	OF 1	REV B1

X-ON Electronics

Largest Supplier of Electrical and Electronic Components

Click to view similar products for [Headers & Wire Housings](#) category:

Click to view products by [TE Connectivity](#) manufacturer:

Other Similar products are found below :

[892-18-020-10-001101](#) [58102-G61-06LF](#) [582553-1](#) [0009485154](#) [009176003701906](#) [0050291907](#) [LY20-4P-DT1-P1E-BR](#) [02.125.8002.8](#)
[609-3404](#) [61062-3](#) [61082-181009](#) [622-3653LF](#) [63453-116](#) [636-1030](#) [636-1427](#) [636-3427](#) [636-4007](#) [641938-9](#) [641991-4](#) [644827-2](#) [65817-010LF](#) [65817-015LF](#) [65863-015LF](#) [66207-023LF](#) [67095-007LF](#) [67601157](#) [68645-018](#) [68648-049](#) [70.362.1628.0](#) [70-4210](#) [70-4226B](#) [70-4853B](#) [707-5020](#) [707-5028](#) [71.350.2428.0](#) [71918-208LF](#) [71961-016LF](#) [733-134](#) [733-162](#) [754199-000](#) [760-3052](#) [787-8014-00](#) [79531-3000](#)
[FCN-360C032-B](#) [FCN-367T-T012/H](#) [FCN-723D010/2](#) [80.063.4001.1](#) [800-90-001-10-001000](#) [800-90-010-10-002000](#) [801-43-002-10-013000](#)