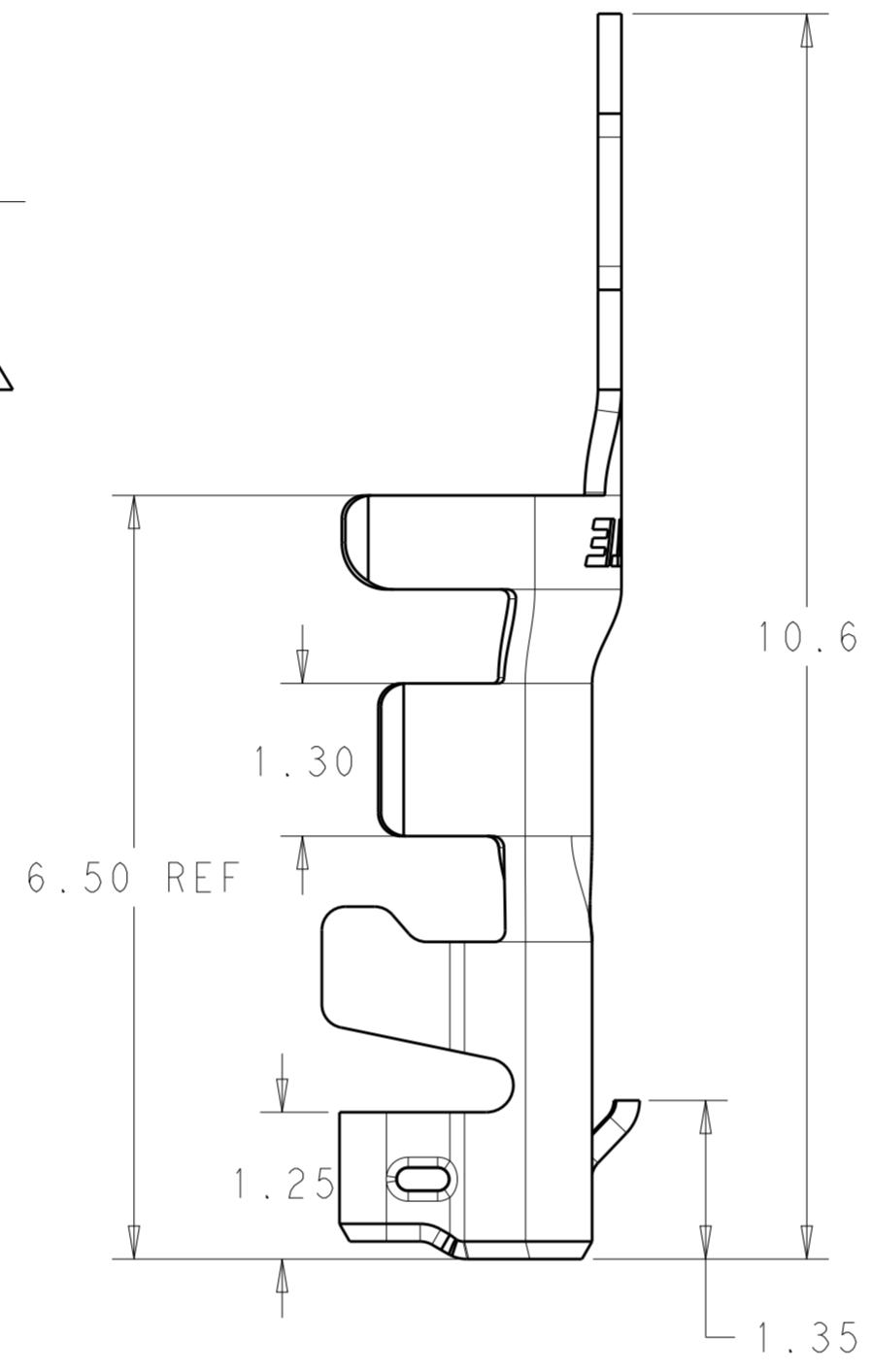
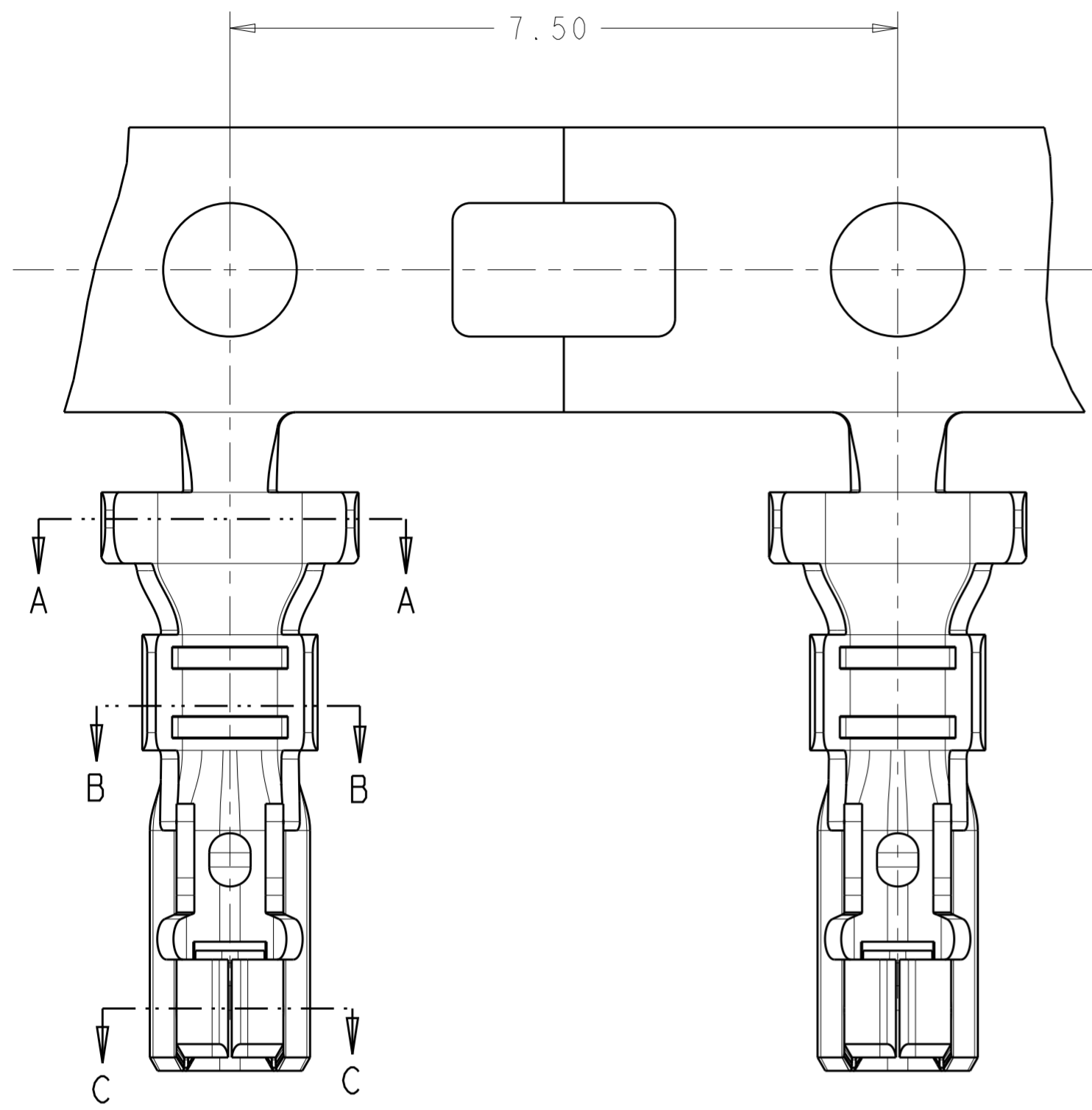
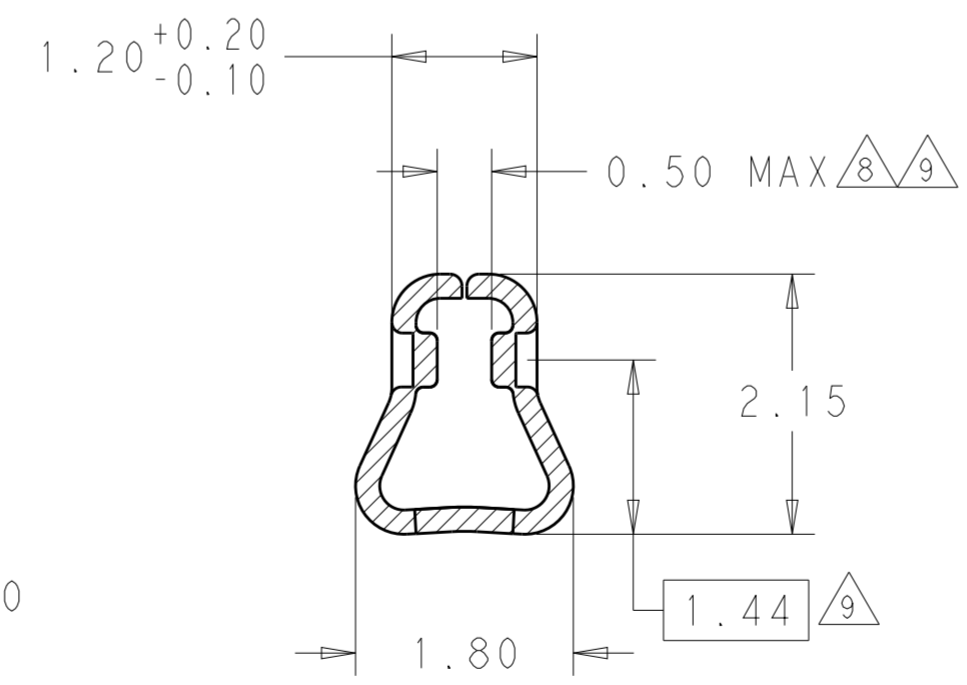
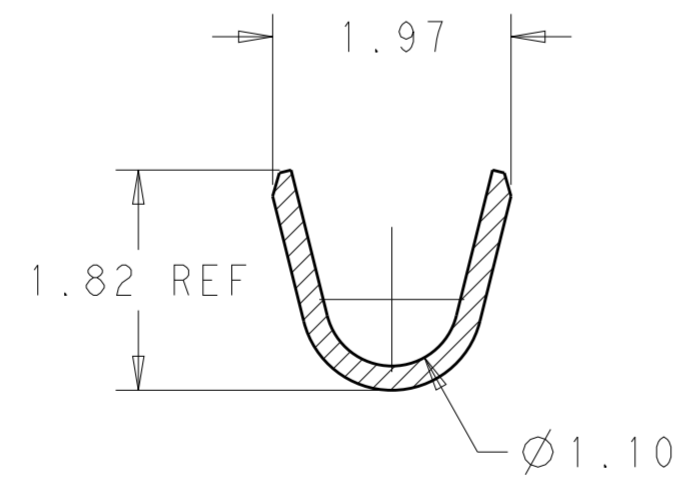
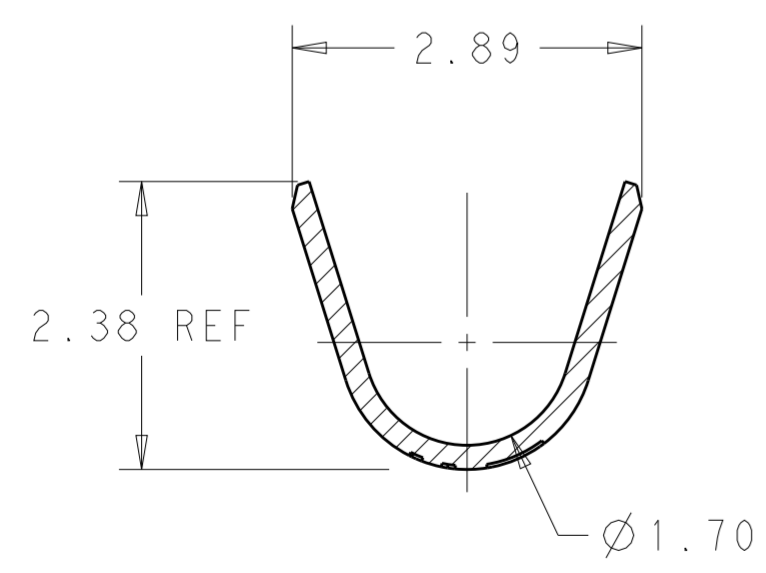
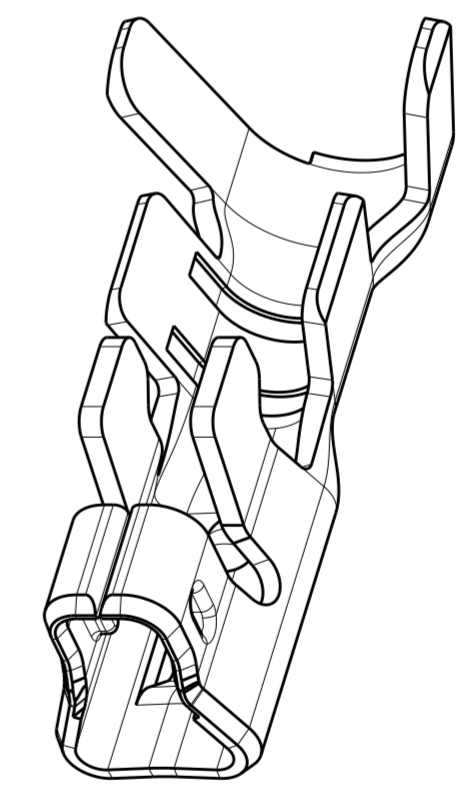


THIS DRAWING IS UNPUBLISHED. RELEASED FOR PUBLICATION 2016
 © COPYRIGHT 2016 BY - ALL RIGHTS RESERVED.

REVISIONS				
P	LTR	DESCRIPTION	DATE	APVD
B		REVISED PER ECR-19-012801	09JAN2020	WH DZ



- ① MATERIAL: PHOSPHOR BRONZE.
- ② FINISH: PRE-TIN.
- 3. DESIGNED FOR USE IN HOUSINGS []-1969442-[] OR []-1744417-[].
- 4. CONTACTS COATED WITH ANTI-FRETTING LUBRICANT.
- 5. CONTACT IS RoHS COMPLIANT.
- 6. WIRE RANGE: 0.20~0.56mm² [24-20 AWG] STRANDED.
- 7. INSULATION RANGE: 1.3~1.9mm
- ⑧ AFTER CRIMP DIMENSION
- ⑨ MEASURE LOCATION FOR 0.50 MAX DIMENSION



SECTION A-A

SECTION B-B

SECTION C-C

2232983-1
PART NUMBER

THIS DRAWING IS A CONTROLLED DOCUMENT.		DWN: OTIO CHEN 14JAN2016	STE TE Connectivity	
		CHK: DANIEL 16JAN2016		
		APVD: DANIEL 16JAN2016	NAME: LOW INSERTION FORCE CONTACT EP 2.5, RECEPTACLE	
DIMENSIONS: mm		PRODUCT SPEC: 108-2418	SIZE: A2	CAGE CODE: 00779
TOLERANCES UNLESS OTHERWISE SPECIFIED:		APPLICATION SPEC: 114-13315	DRAWING NO: C-2232983	RESTRICTED TO: -
0 PLC ±		WEIGHT: -	SCALE: N/A	
1 PLC ±0.5		CUSTOMER DRAWING		
2 PLC ±0.30		SHEET 1 OF 1		
3 PLC ±		REV B		
4 PLC ±				
ANGLES ±1°				
FINISH				

X-ON Electronics

Largest Supplier of Electrical and Electronic Components

Click to view similar products for [Headers & Wire Housings](#) category:

Click to view products by [TE Connectivity](#) manufacturer:

Other Similar products are found below :

[892-18-020-10-001101](#) [58102-G61-06LF](#) [582553-1](#) [0009485154](#) [009176003701906](#) [0050291907](#) [LY20-4P-DT1-P1E-BR](#) [02.125.8002.8](#)
[609-3404](#) [61062-3](#) [61082-181009](#) [622-3653LF](#) [63453-116](#) [636-1030](#) [636-1427](#) [636-3427](#) [636-4007](#) [641938-9](#) [641991-4](#) [644827-2](#) [65817-010LF](#) [65817-015LF](#) [65863-015LF](#) [66207-023LF](#) [67095-007LF](#) [67601157](#) [68645-018](#) [68648-049](#) [70.362.1628.0](#) [70-4210](#) [70-4226B](#) [70-4853B](#) [707-5020](#) [707-5028](#) [71.350.2428.0](#) [71918-208LF](#) [71961-016LF](#) [733-134](#) [733-162](#) [754199-000](#) [760-3052](#) [787-8014-00](#) [79531-3000](#)
[FCN-360C032-B](#) [FCN-367T-T012/H](#) [FCN-723D010/2](#) [80.063.4001.1](#) [800-90-001-10-001000](#) [800-90-010-10-002000](#) [801-43-002-10-013000](#)