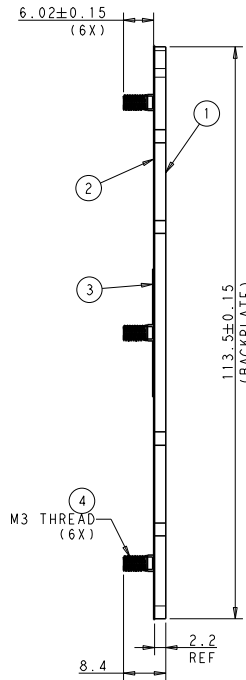
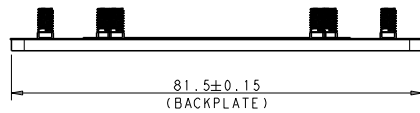
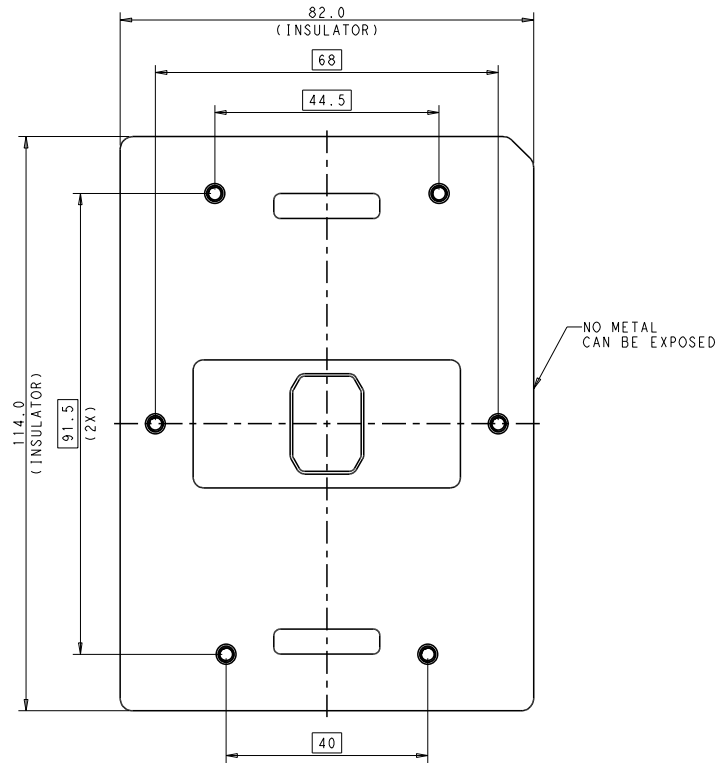
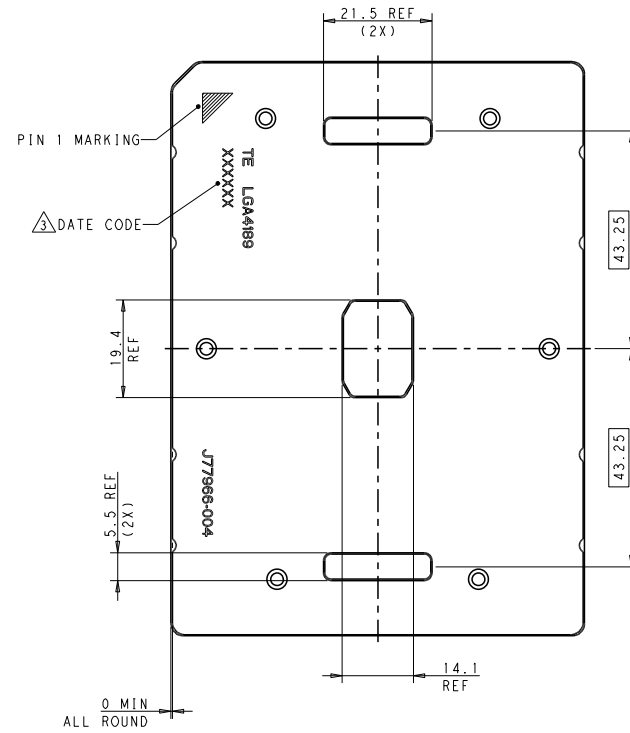


REVISIONS				
REV	DATE	DESCRIPTION	BY	APP
B		REVISED	J. W. S. L.	

TOP VIEW (INSULATOR SIDE)



BOTTOM VIEW



PN 2-2330551-1 AS SHOW

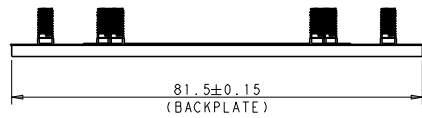
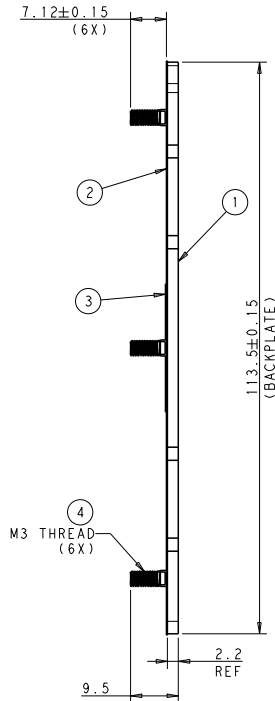
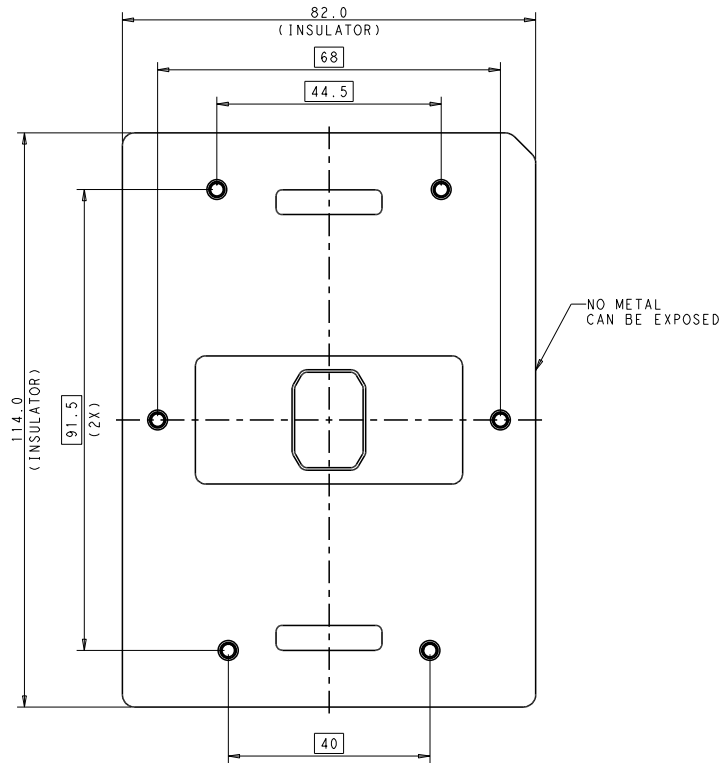
NOTE: (APPLIED TO ALL SHEET)

1. MATERIAL:
- ① BACK PLATE: CARBON STEEL, NI PLATING.
 - ② BACK PLATE INSULATOR: POLYCARBONATE FILM PLUS ACRYLIC ADHESIVE LAYER.
 - ③ EXTRA INSULATOR: POLYCARBONATE FILM PLUS ACRYLIC ADHESIVE LAYER.
 - ④ STUD: STEEL.
2. ASSEMBLED WITH BOLSTER ASSEMBLY P/N: 2330550 SERIES.
 STUD/NUT MUST BE ABLE TO ENGAGE WITH MOTHERBOARD THICKNESS:
 -FOR PN 2-2330551-1, IN THE RANGE OF 1.42MM-2.79MM
 -FOR PN 2-2330551-2, IN THE RANGE OF 2.79MM-3.94MM
- △ INDICATED DATE CODE ON THE BACK PLATE

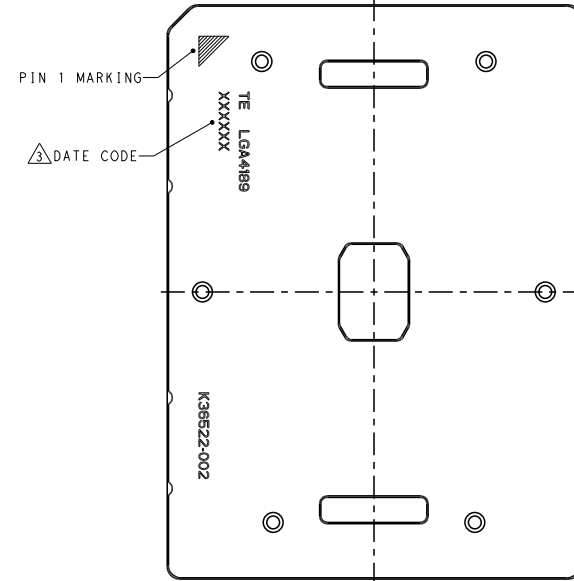
THIS DRAWING IS A CONTROLLED DOCUMENT.		REV. MANG. 08FEB2018	STE TE Connectivity	
DIMENSIONS: (UNLESS OTHERWISE SPECIFIED) INCH		CHK. BILL LV. 08FEB2018	NAME: ICX BACKPLATE ASSY	
MATERIAL: 0 P/C 40.3, 1 P/C 40.3, 2 P/C 40.3, 4 P/C 40.3		DATE: 08FEB2018	SIZE: A1	
FINISH: 3.2		APPLICATION SPEC: SIMON 1.1	DRAWING NO: 2330551	
CUSTOMER DRAWING		HEIGHT: -	SCALE: 2:1	
		SHEET 1 OF 3		REV. 1

REVISIONS				
REV	DATE	DESCRIPTION	BY	APP

TOP VIEW (INSULATOR SIDE)

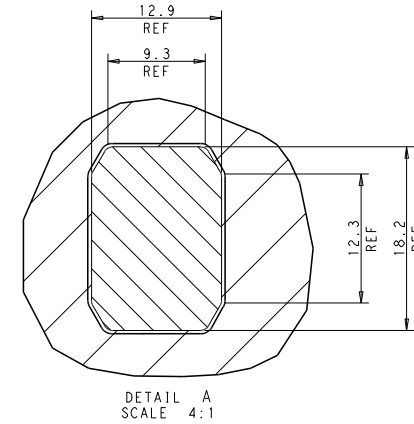
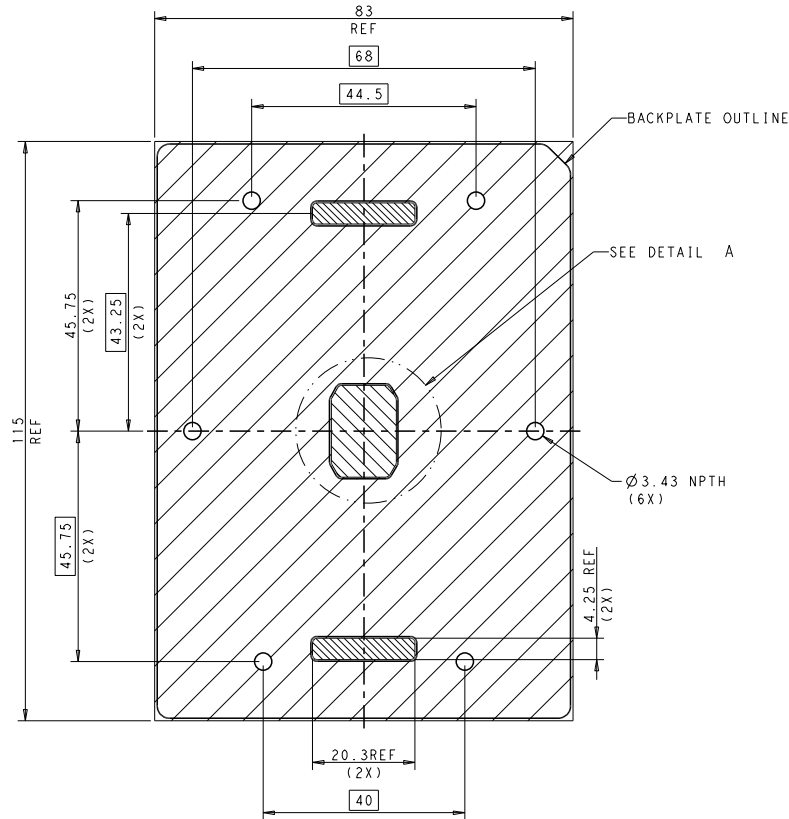


BOTTOM VIEW



PN 2-2330551-2 AS SHOW
UNLESS SPECIFIED DIMENSION
ARE SAME WITH 2-2330551-1

THIS DRAWING IS A CONTROLLED DOCUMENT.		REV: 08FEB2018	STE TE Connectivity	
DIMENSIONS: 0 UNLESS OTHERWISE SPECIFIED		CHK: 08FEB2018	TE Connectivity	
MATERIAL: 6061 ALUMINUM		APP: 08FEB2018	ICX BACKPLATE ASSY	
FINISH: ANODIZED		NAME: SIMON L I	SIZE: A	
SCALE: 2:1		DATE CODE: 00779	DRAWING NO: 2330551	
CUSTOMER DRAWING		RESTRICTED TO		SHEET 2 OF 3



KOZ LEGEND	
	BACKPLATE ZONE. NO OTHER COMPONENT PLACEMENT ALLOWED. 0.0MM HEIGHT RESTRICTION
	SECONDARY SIDE SOCKET CAVITY ZONE. 1.8MM MAX COMPONENT HEIGHT.
	SECONDARY SIDE COMPONENT PLACEMENT ZONE. 1.8MM MAX COMPONENT HEIGHT.

REFERENCE BACKPLATE KEEPOUT ZONE
FOR GENERAL BOARD DESIGN, PLEASE REFER TO THE THERMAL AND MECHANICAL DESIGN GUIDELINES PROVIDED BY INTEL

THIS DRAWING IS A CONTROLLED DOCUMENT.		REV. WANG 08FEB2018	 TE Connectivity
DIMENSIONS: (UNLESS OTHERWISE SPECIFIED)		CHEN 08FEB2018	
0 P/C 40.3 1 P/C 40.3 2 P/C 40.3 3 P/C 40.3 4 P/C 40.3		BILL J.V. 08FEB2018 SIMON L.L. 08FEB2018 PRODUCT SPEC APPLICATION SPEC ANGLE: 45°	NAME ICX BACKPLATE ASSY
MATERIAL:	FINISH:	HEIGHT:	SIZE: A1 EDGE CODE: 00779 DRAWING NO: 2330551 RESTRICTED TO: CUSTOMER DRAWING
SCALE: 2:1		SHEET 3 OF 3	

X-ON Electronics

Largest Supplier of Electrical and Electronic Components

Click to view similar products for IC & Component Sockets category:

Click to view products by TE Connectivity manufacturer:

Other Similar products are found below :

[0066-3-17-15-30-14-02-0](#) [670](#) [672](#) [673](#) [694-13-640-00-672-000](#) [712-93-120-41-001000](#) [714-93-104-31-018000](#) [8059-4G1-LF](#) [807-22-001-10-001101](#) [807-22-001-10-006101](#) [807-22-001-30-011101](#) [807-22-001-30-012101](#) [807-22-001-30-013101](#) [807-22-001-30-014101](#) [8-1437531-4](#) [8150-6P10](#) [833-93-034-10-001000](#) [851-41-006-10-001000](#) [851-43-008-20-001000](#) [851-43-014-20-001000](#) [851-93-006-20-001000](#) [851-93-010-20-001000](#) [853-43-020-10-001000](#) [86.010.0053.0](#) [116-43-308-41-007000](#) [PX-68LCC](#) [121-13-318-41-001000](#) [121-13-320-41-001000](#) [121-13-308-41-001000](#) [123-43-314-41-801000](#) [123-43-420-41-001000](#) [122-13-316-41-001000](#) [123-13-624-41-001000](#) [123-43-306-41-001000](#) [12-3513-11](#) [123-91-320-41-001000](#) [126-43-310-41-002000](#) [AKSUN 37V-T](#) [1437503-9](#) [1437504-1](#) [146-44-308-41-013000](#) [146-43-308-41-012000](#) [160-10-308-00-001000](#) [160-40-320-00-001000](#) [214-99-306-01-670800](#) [232-1270-02-0602](#) [2-382761-4](#) [2-5331677-4](#) [2-640360-3](#) [2801-2-00-50-00-00-07-0](#)