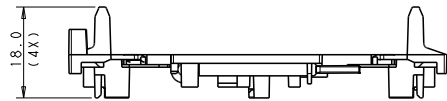
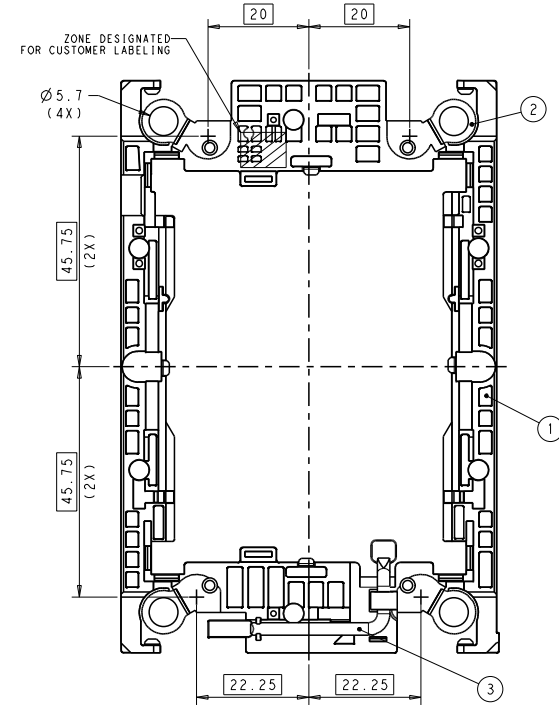
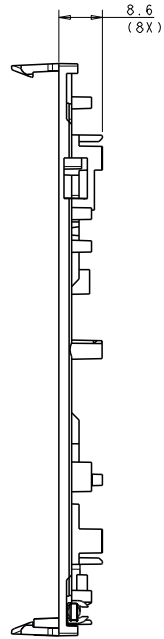
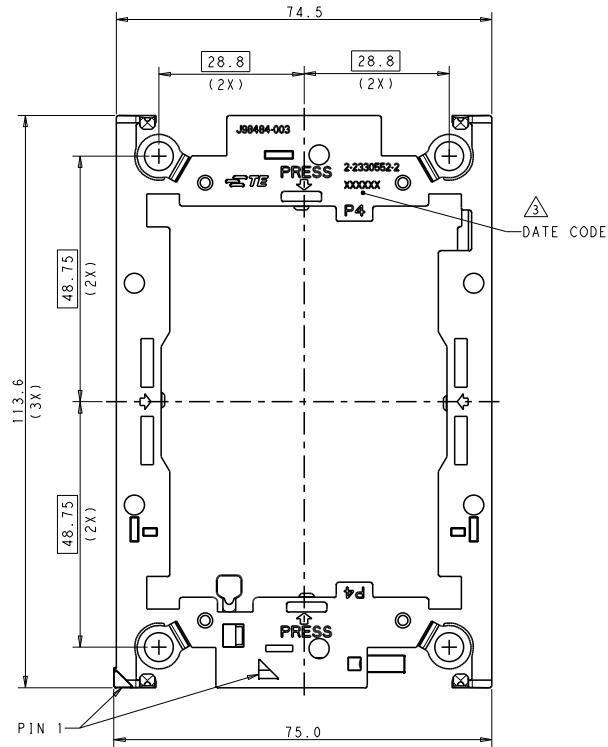


REVISIONS				
REV	DESCRIPTION	DATE	BY	APP
B1	REVISED	23 JUN 2022	W.S.L	

PN 2-2330552-2 AS SHOW



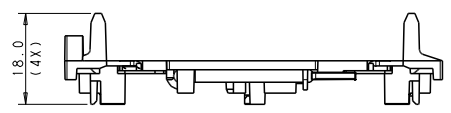
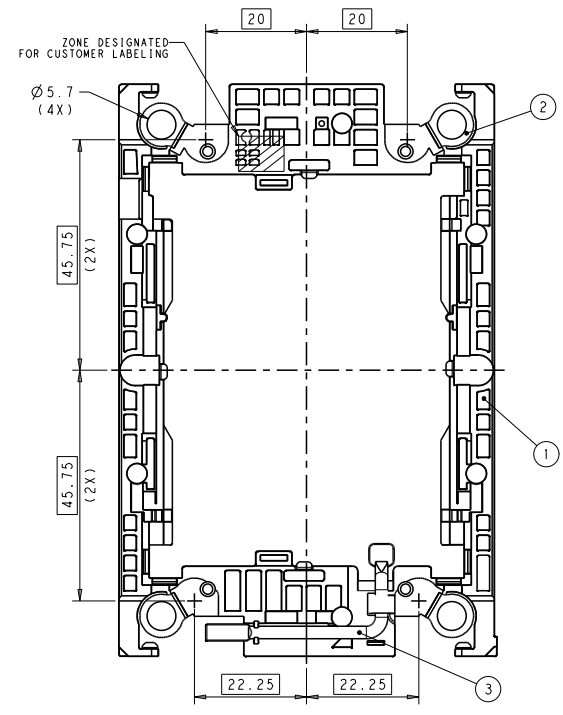
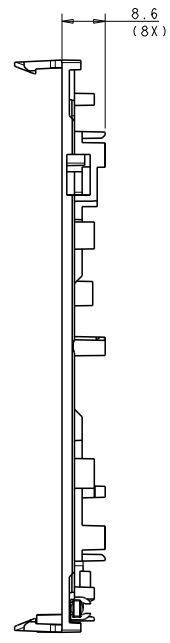
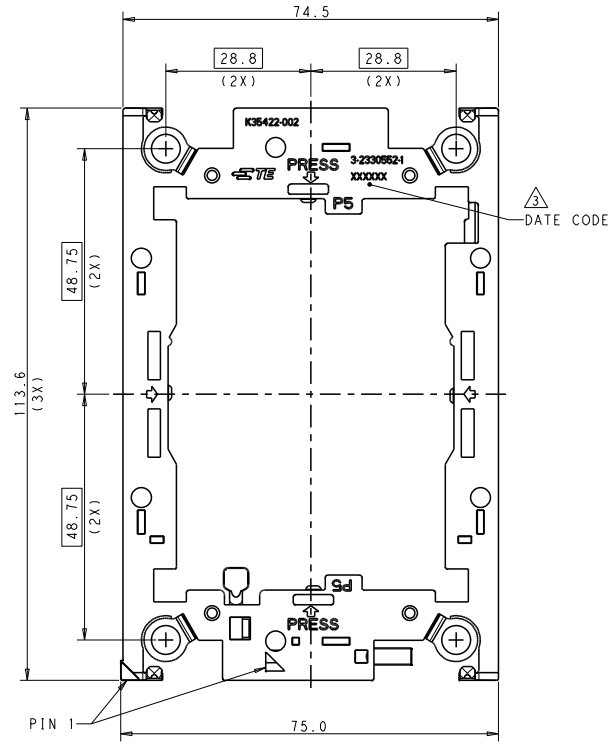
NOTE:

1. MATERIAL:
 - ① CARRIER: PC-ABS, BLACK, UL94V-0
 - ② SHIM: STAINLESS STEEL
 - ③ TIM BREAK LEVER: STAINLESS STEEL
2. THIS PRODUCT IS APPLICABLE FOR LGA4189 SOCKET.
- ③ INDICATED DATE CODE ON THE CARRIER

THIS DRAWING IS A CONTROLLED DOCUMENT.		REV: 08FEB2018	TE Connectivity	
DIMENSIONS: (UNLESS OTHERWISE SPECIFIED) IN MILLIMETERS		CHK: 08FEB2018		
DIMENSIONS: (UNLESS OTHERWISE SPECIFIED) IN MILLIMETERS 0 PLG 40.3 1 PLG 40.3 2 PLG 40.3 3 PLG 40.3 4 PLG 40.3		DESIGNED BY: SIMON L.L PRODUCT SPEC: APPLICATION SPEC: FINISH:	NAME: ICX POINT PHM CARRIER ASSY, P4	
MATERIAL:		SIZE: A	CAGE CODE: 00779 DRAWING NO: 2330552 CUSTOMER DRAWING	SHEET: 1 of 2 SCALE: 2:1 RESTRICTED TO:

REVISIONS				
REV	DATE	DESCRIPTION	BY	APP
-	-	SEE SHEET 1	-	-

PN 3-2330552-1 AS SHOW



NOTE:

- MATERIAL:
 - ① CARRIER: PC-ABS, GREY, UL94V-0
 - ② SHIM: STAINLESS STEEL
 - ③ TIM BREAK LEVER: STAINLESS STEEL
- THIS PRODUCT IS APPLICABLE FOR LGA4189 SOCKET.
- INDICATED DATE CODE ON THE CARRIER

THIS DRAWING IS A CONTROLLED DOCUMENT.		REV. REF. MANG. 08FEB2018	STE TE Connectivity	
DIMENSIONS: (UNLESS OTHERWISE SPECIFIED)		CHK. BILL. I.V. 08FEB2018	NAME: SIMON J.L.	
MATERIAL: FINISH: ANGLE: 30°		APP. PRODUCT SPEC. APPLICATION SPEC.	SIZE: A	
MATERIAL: FINISH: ANGLE: 30°		WEIGHT: CUSTOMER DRAWING	SCALE: 2:1	SHEET 2 OF 2
DRAWING NO. 00779		DRAWING NO. 2330552		RESTRICTED TO: REV. 01

X-ON Electronics

Largest Supplier of Electrical and Electronic Components

Click to view similar products for IC & Component Sockets category:

Click to view products by TE Connectivity manufacturer:

Other Similar products are found below :

[0066-3-17-15-30-14-02-0](#) [670](#) [672](#) [673](#) [694-13-640-00-672-000](#) [712-93-120-41-001000](#) [714-93-104-31-018000](#) [8059-4G1-LF](#) [807-22-001-10-001101](#) [807-22-001-10-006101](#) [807-22-001-30-011101](#) [807-22-001-30-012101](#) [807-22-001-30-013101](#) [807-22-001-30-014101](#) [8-1437531-4](#) [8150-6P10](#) [833-93-034-10-001000](#) [851-41-006-10-001000](#) [851-43-008-20-001000](#) [851-43-014-20-001000](#) [851-93-006-20-001000](#) [851-93-010-20-001000](#) [853-43-020-10-001000](#) [86.010.0053.0](#) [116-43-308-41-007000](#) [PX-68LCC](#) [121-13-318-41-001000](#) [121-13-320-41-001000](#) [121-13-308-41-001000](#) [123-43-314-41-801000](#) [123-43-420-41-001000](#) [122-13-316-41-001000](#) [123-13-624-41-001000](#) [123-43-306-41-001000](#) [12-3513-11](#) [123-91-320-41-001000](#) [126-43-310-41-002000](#) [AKSUN 37V-T](#) [1437503-9](#) [1437504-1](#) [146-44-308-41-013000](#) [146-43-308-41-012000](#) [160-10-308-00-001000](#) [160-40-320-00-001000](#) [214-99-306-01-670800](#) [232-1270-02-0602](#) [2-382761-4](#) [2-5331677-4](#) [2-640360-3](#) [2801-2-00-50-00-00-07-0](#)