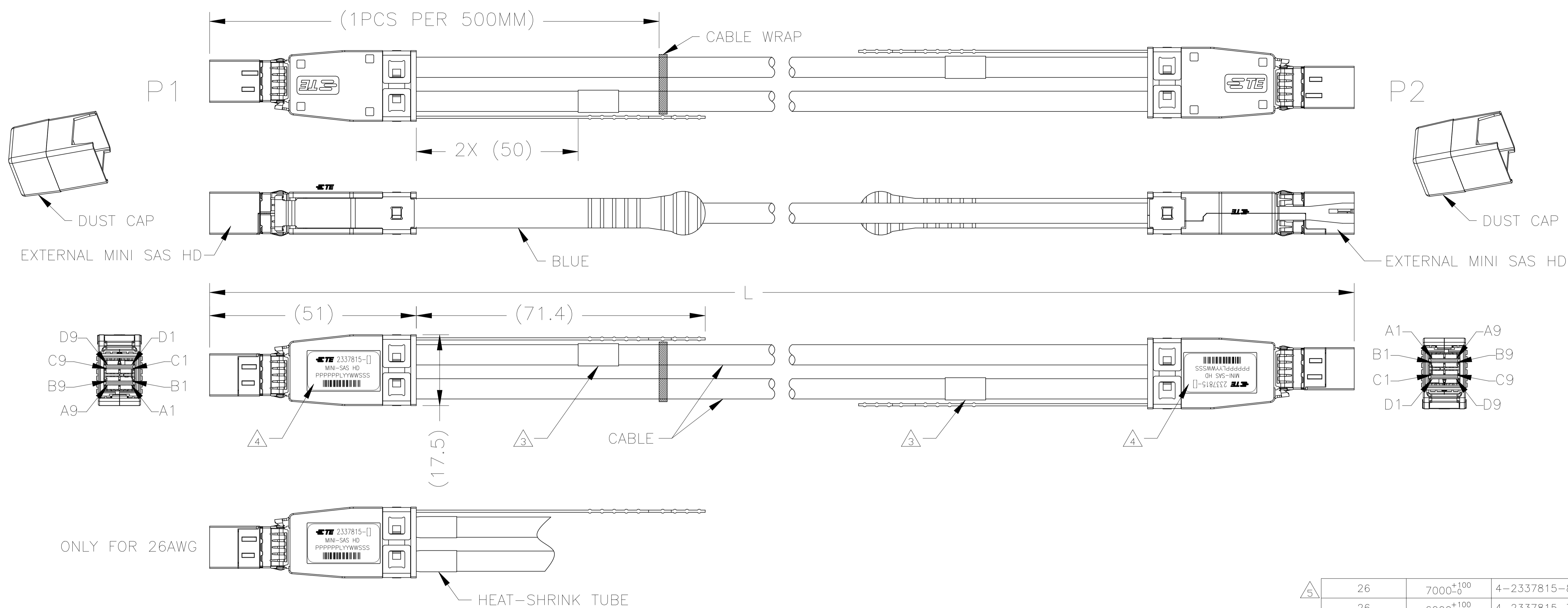
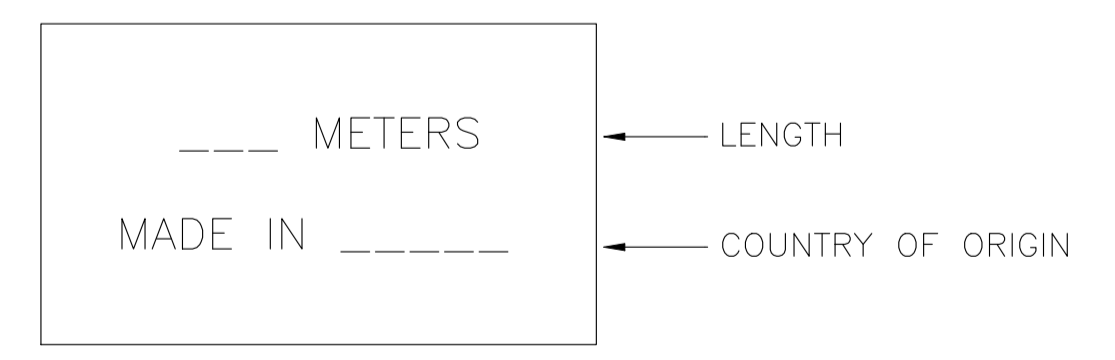


REVISIONS				
P	LTR	DESCRIPTION	DATE	APPRO
A2		ADDED 2-2337815-7 PN	23AUG2021	VK   GL

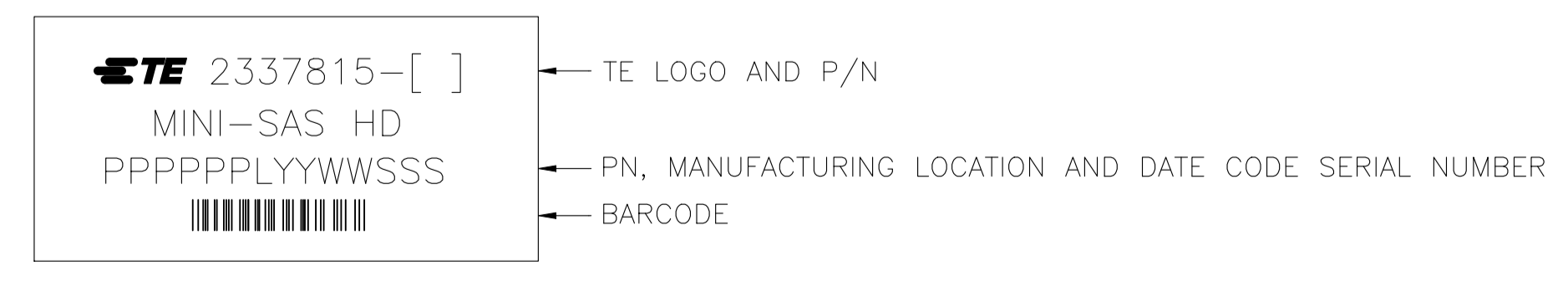


1. ASSEMBLY TESTED FOR CONTINUITY, OPENS, SHORTS, EEPROM PROGRAM AND SIGNAL INTEGRITY.
2. ROHS AND REACH COMPLIANCE: PRODUCT AND PROCESSING MUST MEET REQUIREMENTS OF TE SPECIFICATION TEC-138-702.

3 LABEL INFORMATION:



4 LABEL INFORMATION:



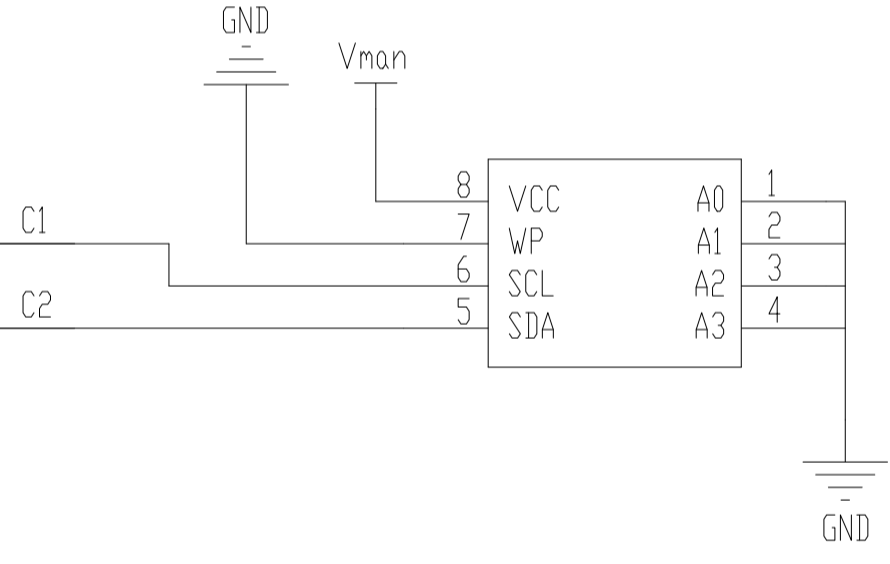
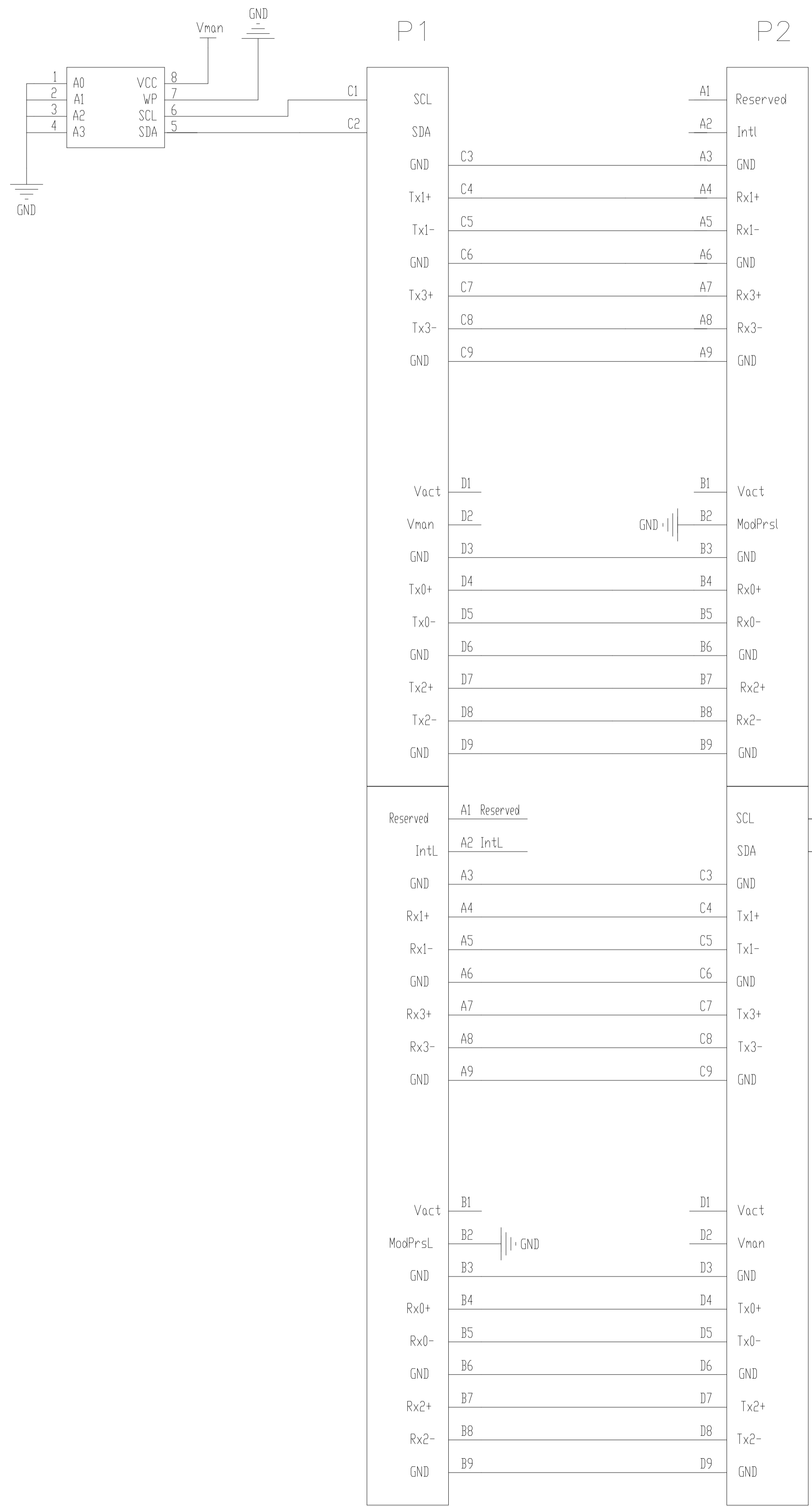
5 4-2337815-8 CAN NOT MEET SI SPECIFICATION OF SAS3.0.


AWG	L	PART NO.
26	7000 <sup>+100</sup> <sub>-0</sub>	4-2337815-8
26	6000 <sup>+100</sup> <sub>-0</sub>	4-2337815-7
26	5000 <sup>+100</sup> <sub>-0</sub>	4-2337815-6
26	4000 <sup>+80</sup> <sub>-0</sub>	4-2337815-5
26	3000 <sup>+80</sup> <sub>-0</sub>	4-2337815-4
26	2000 <sup>+80</sup> <sub>-0</sub>	4-2337815-3
26	1000 <sup>+50</sup> <sub>-0</sub>	4-2337815-2
26	500 <sup>+50</sup> <sub>-0</sub>	4-2337815-1
28	3500 <sup>+80</sup> <sub>-0</sub>	2-2337815-7
28	5000 <sup>+100</sup> <sub>-0</sub>	2-2337815-6
28	4000 <sup>+80</sup> <sub>-0</sub>	2-2337815-5
28	3000 <sup>+80</sup> <sub>-0</sub>	2-2337815-4
28	2000 <sup>+80</sup> <sub>-0</sub>	2-2337815-3
28	1000 <sup>+50</sup> <sub>-0</sub>	2-2337815-2
28	500 <sup>+50</sup> <sub>-0</sub>	2-2337815-1
30	3000 <sup>+80</sup> <sub>-0</sub>	2337815-4
30	2000 <sup>+80</sup> <sub>-0</sub>	2337815-3
30	1000 <sup>+50</sup> <sub>-0</sub>	2337815-2
30	500 <sup>+50</sup> <sub>-0</sub>	2337815-1
AWG	L	PART NO.

THIS DRAWING IS A CONTROLLED DOCUMENT.

DIMENSIONS:	TOLERANCES UNLESS OTHERWISE SPECIFIED:	DIN	05JUN2018	TE Connectivity Ltd.	
mm	0. PLC ± - 1. PLC ± - 2. PLC ± - 3. PLC ± - 4. PLC ± - ANGLES ± -	CHK	05JUN2018		
MATERIAL	FINISH	APPRO	05JUN2018	NAME	
		KYLIN YAO KYLIN YAO DAVID ZHANG		MINI SAS HD TO MINI SAS HD 4X PRODUCT SPEC	
		SIZE	CAGE CODE	DRAWING NO	RESTRICTED TO
		A1	00779	2337815	
		CUSTOMER DRAWING		SCALE	SHEET
				1:1	1 OF 2
				REV	A2

REVISIONS				
P	LTR	DESCRIPTION	DATE	APP'D
-	-	SEE SHEET 1	-	-



THIS DRAWING IS A CONTROLLED DOCUMENT.		DIN KYLIN YAO 05JUN2018	 TE Connectivity Ltd.
		CHK KYLIN YAO 5JUN2018	
		APP'D DAVID ZHANG 5JUN2018	NAME
			MINI SAS HD TO MINI SAS HD
			4X
			RESTRICTED TO
		SIZE A1	CAGE CODE 00779
		DRAWING NO. 2337815	REV A2
		CUSTOMER DRAWING	
		SCALE 1:1	SHEET 2 OF 2

## X-ON Electronics

Largest Supplier of Electrical and Electronic Components

*Click to view similar products for [Computer Cables](#) category:*

*Click to view products by [TE Connectivity](#) manufacturer:*

Other Similar products are found below :

[68809-0004](#) [8F36-AAA105-1.00](#) [IB63](#) [CB-716EB-RS](#) [CB-716P8P9-RS](#) [CBK-11-290K-00](#) [ACL-10550](#) [ACL-10568-2](#) [ACL-10568-5](#)  
[427522400-3](#) [32102-021500-200-RS](#) [426091300-3](#) [48000023](#) [10114976-P015002LF](#) [10111838-S444ALF](#) [88761-6101](#) [NT631C-CN321-EU](#)  
[ACL-10568NF-1](#) [MIKROE-2092](#) [PCL-101100R-2E](#) [1700009405](#) [PS/2 Cable](#) [NT31C-CN323-EU](#) [PCL-10168H-1E](#) [68801-1905](#) [111068-](#)  
[1015](#) [100436-1107](#) [68801-0630](#) [68801-3612](#) [68801-3618](#) [205058-1002](#) [PS2NK](#) [SATA cable](#) [96021-0000-00-0](#) [FAK-SMZSMZ 5M](#) [FAK-](#)  
[SMZSMZ-3M](#) [ACC-500-200-R](#) [iW-C40-PCIe08-C1](#) [1700001531](#) [96048-0000-00-0](#) [96054-0000-00-0](#) [SATA III cable 30cm, down/straight](#)  
[cab-Pico-ITX-LVDS](#) [PCL-101100SB-2E](#) [AXXSTCBLQAT](#) [NT31C-KBA05](#) [A2U4PSWCXCXK1](#) [2 port SATA to 5 pin,L=200mm](#) [P782-](#)  
[006-DH](#) [ACL-10568NF-2](#)