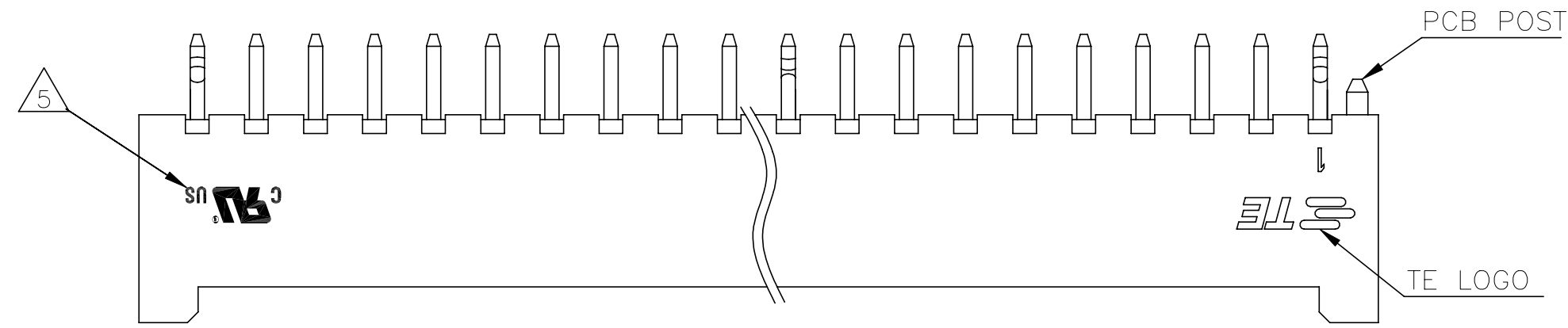
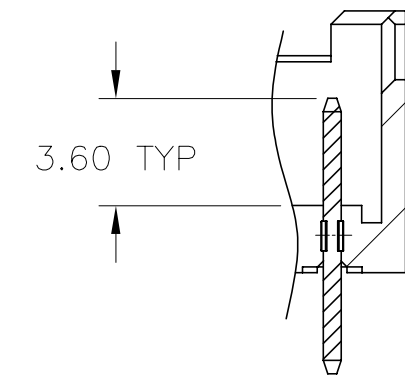
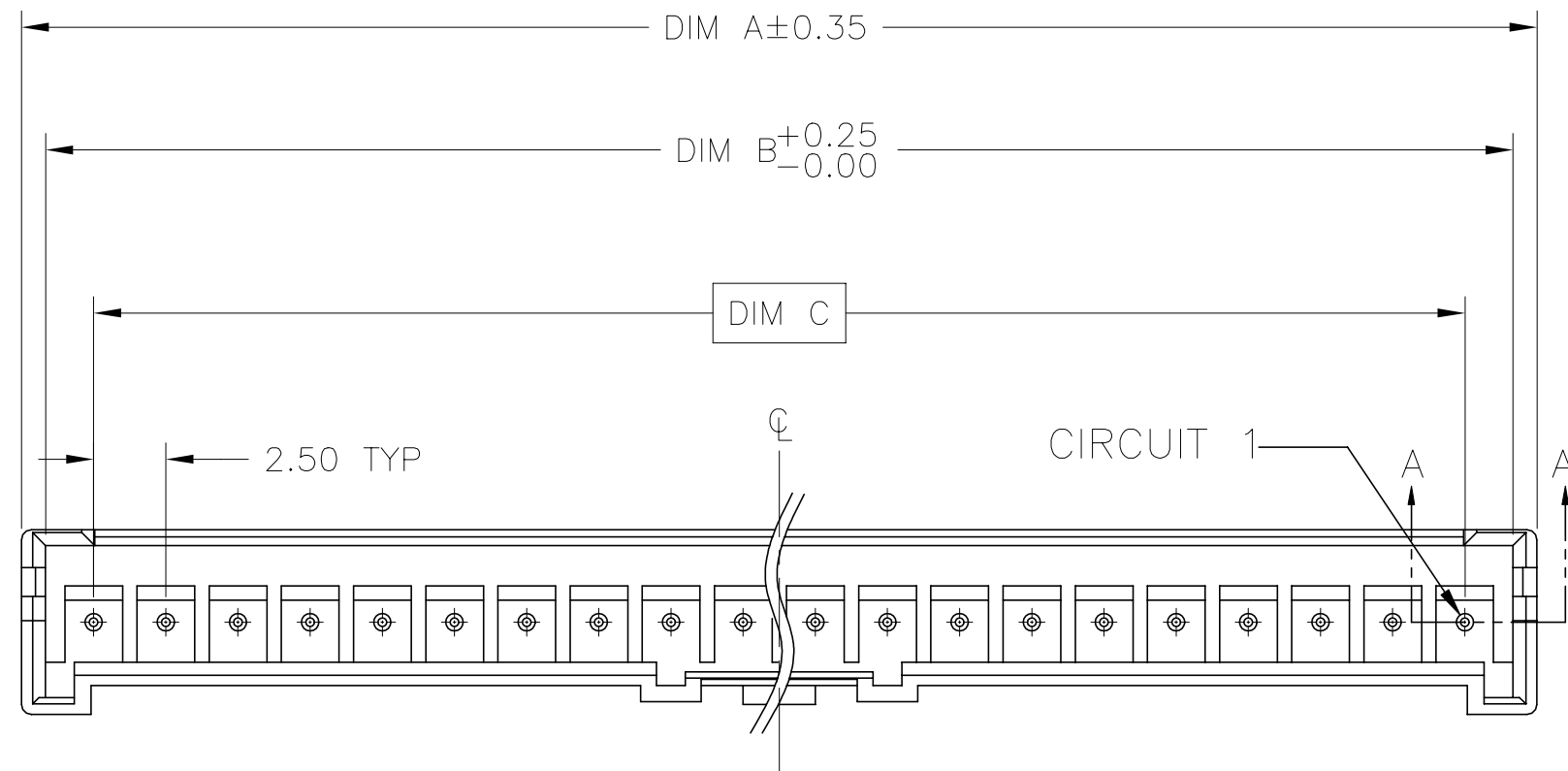


THIS DRAWING IS UNPUBLISHED. RELEASED FOR PUBLICATION
 © COPYRIGHT - By - ALL RIGHTS RESERVED.

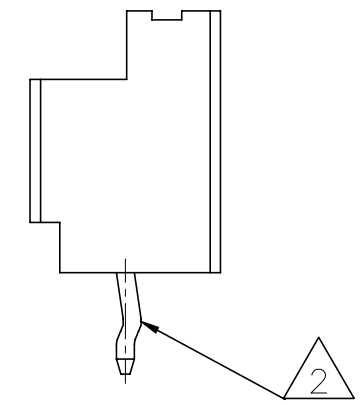
REVISIONS					
P	LTR	DESCRIPTION	DATE	DWN	APVD
	A2	REVISED PER ECR-20-101158	24DEC2020	SK	DZ



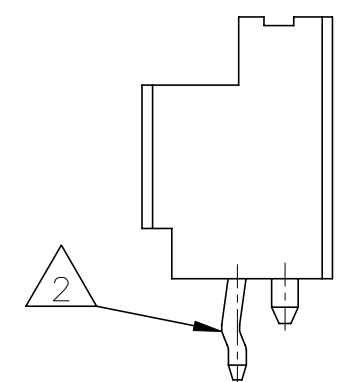
- 1 MATERIAL: HOUSING: PBT, UL94 V-0, TERMINAL: BRASS, NICKEL UNDER PLATING, Tin PLATING ON PIN AREA.
- 2 CONTACT SOLDER TAIL KINK DIRECTION (BOARLOCK) SEE BELOW TABLE.
- 3 RECOMMENDED MATING PART: []-2338183-[]
- 4 DIMENSIONS SHOWN REPRESENT PRODUCT IN DRY, AS MOLDED, CONDITION. ADDITIONAL 2% GROWTH DUE TO SUBSEQUENT MOISTURE
- 5 PARTS ARE UL-1977 CERTIFIED.



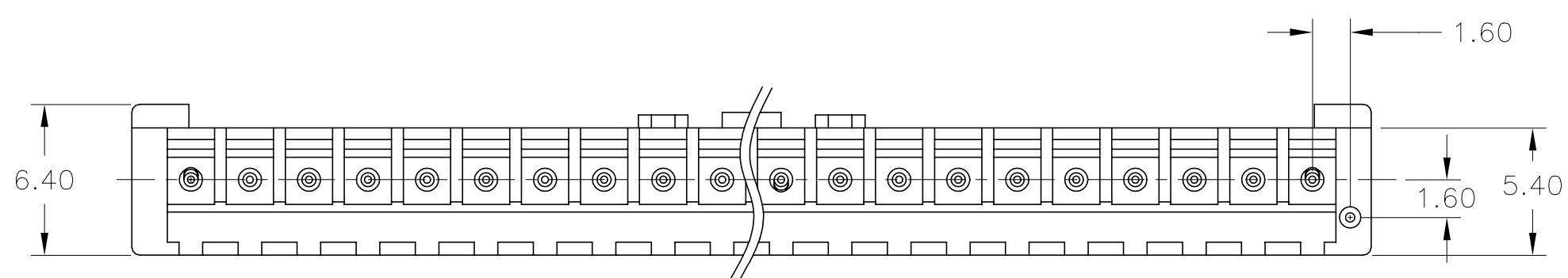
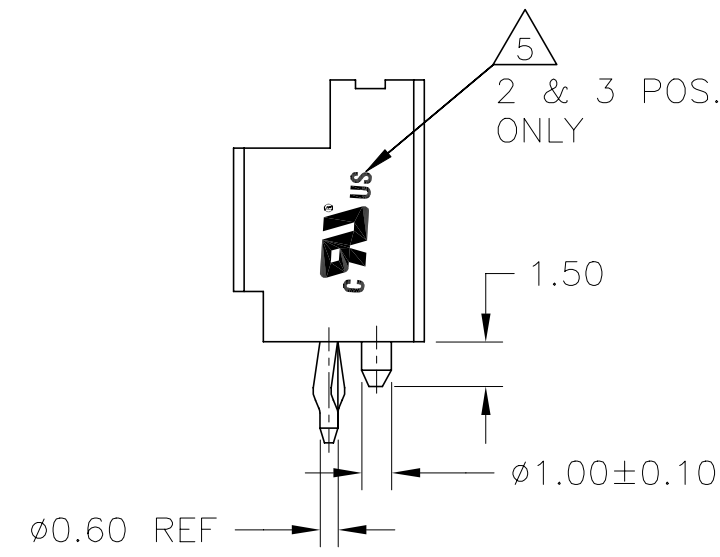
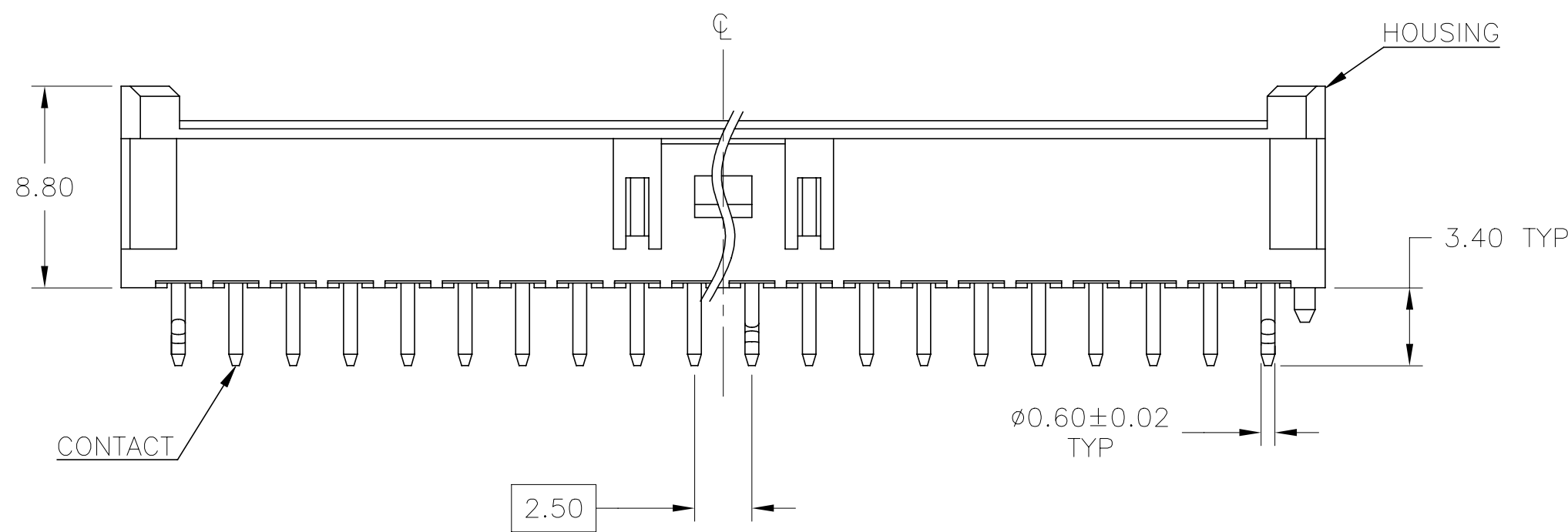
SECTION A-A



MIDDLE



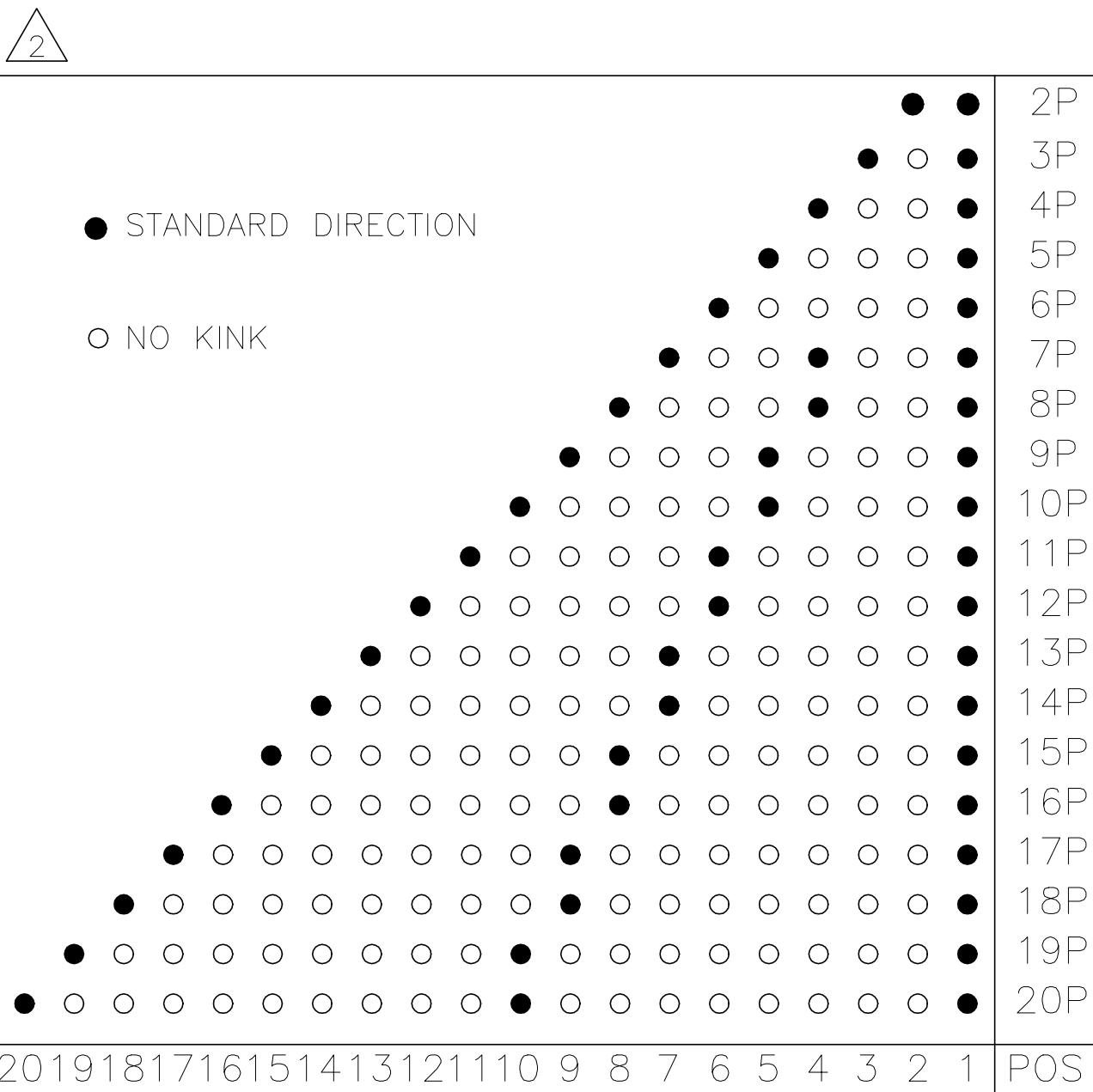
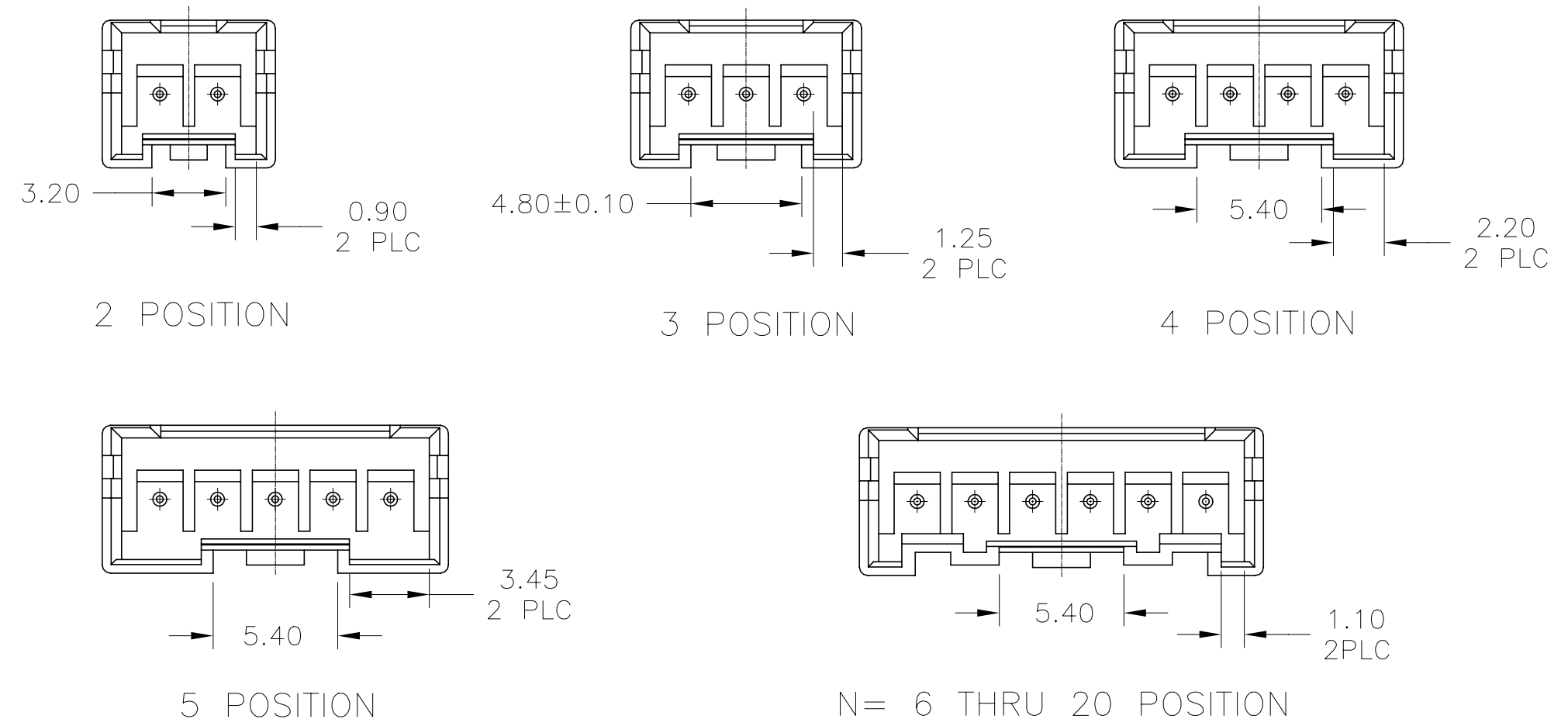
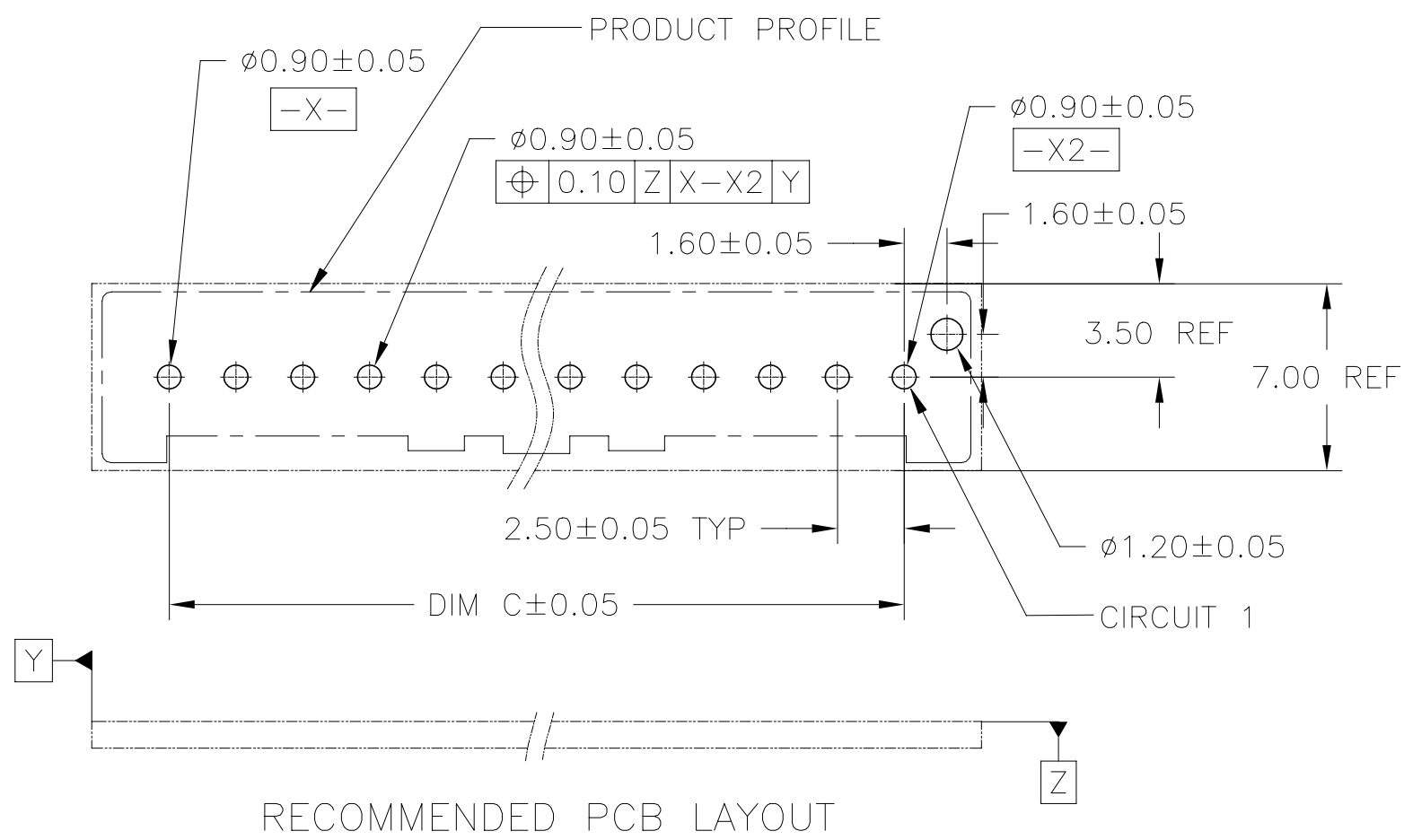
SIDE



THIS DRAWING IS A CONTROLLED DOCUMENT.		DWN WARREN HUO 22OCT18		
DIMENSIONS: mm		CHK DANIEL ZHANG 25OCT18		
TOLERANCES UNLESS OTHERWISE SPECIFIED:		APVD DANIEL ZHANG 25OCT18	NAME	
0 PLC ± -	1 PLC ± -	PRODUCT SPEC	108-2418	
2 PLC ± 0.20	3 PLC ± -	APPLICATION SPEC	114-13315	
4 PLC ± -	ANGLES ± 3°	WEIGHT -	SIZE A2	CAGE CODE 00779
MATERIAL 1	FINISH 1	CUSTOMER DRAWING	DRAWING NO. C=2338245	RESTRICTED TO -
			SCALE N/A	SHEET 1 OF 2
				REV A2

THIS DRAWING IS UNPUBLISHED. RELEASED FOR PUBLICATION
 © COPYRIGHT - By - ALL RIGHTS RESERVED.

REVISIONS				
P	LTR	DESCRIPTION	DATE	APVD
-	-	SEE SHEET 1	-	-



47.50	50.83	52.50	20	2-2338245-0	4-2338245-0	6-2338245-0	8-2338245-0	2338245-1
45.00	48.33	50.00	19	1-2338245-9	3-2338245-9	5-2338245-9	7-2338245-9	9-2338245-9
42.50	45.83	47.50	18	1-2338245-8	3-2338245-8	5-2338245-8	7-2338245-8	9-2338245-8
40.00	43.33	45.00	17	1-2338245-7	3-2338245-7	5-2338245-7	7-2338245-7	9-2338245-7
37.50	40.83	42.50	16	1-2338245-6	3-2338245-6	5-2338245-6	7-2338245-6	9-2338245-6
35.00	38.33	40.00	15	1-2338245-5	3-2338245-5	5-2338245-5	7-2338245-5	9-2338245-5
32.50	35.83	37.50	14	1-2338245-4	3-2338245-4	5-2338245-4	7-2338245-4	9-2338245-4
30.00	33.33	35.00	13	1-2338245-3	3-2338245-3	5-2338245-3	7-2338245-3	9-2338245-3
27.50	30.83	32.50	12	1-2338245-2	3-2338245-2	5-2338245-2	7-2338245-2	9-2338245-2
25.00	28.33	30.00	11	1-2338245-1	3-2338245-1	5-2338245-1	7-2338245-1	9-2338245-1
22.50	25.83	27.50	10	1-2338245-0	3-2338245-0	5-2338245-0	7-2338245-0	9-2338245-0
20.00	23.33	25.00	9	2338245-9	2-2338245-9	4-2338245-9	6-2338245-9	8-2338245-9
17.50	20.83	22.50	8	2338245-8	2-2338245-8	4-2338245-8	6-2338245-8	8-2338245-8
15.00	18.33	20.00	7	2338245-7	2-2338245-7	4-2338245-7	6-2338245-7	8-2338245-7
12.50	15.83	17.50	6	2338245-6	2-2338245-6	4-2338245-6	6-2338245-6	8-2338245-6
10.00	13.33	15.00	5	2338245-5	2-2338245-5	4-2338245-5	6-2338245-5	8-2338245-5
7.50	10.83	12.50	4	2338245-4	2-2338245-4	4-2338245-4	6-2338245-4	8-2338245-4
5.00	8.33	10.00	3	2338245-3	2-2338245-3	4-2338245-3	6-2338245-3	8-2338245-3
2.50	5.83	7.50	2	2338245-2	2-2338245-2	4-2338245-2	6-2338245-2	8-2338245-2
DIM C	DIM B	DIM A	POS	PART NO (RED COLOR)	PART NO (BLUE COLOR)	PART NO (BLACK COLOR)	PART NO (YELLOW COLOR)	PART NO (GREEN COLOR)

THIS DRAWING IS A CONTROLLED DOCUMENT.

DIMENSIONS: mm

TOLERANCES UNLESS OTHERWISE SPECIFIED:

0 PLC	± -
1 PLC	± -
2 PLC	± 0.20
3 PLC	± -
4 PLC	± -
ANGLES	± 5°

MATERIAL: 1

FINISH: 1

DWN: WARREN HUO 22OCT18
 CHK: DANIEL ZHANG 25OCT18
 APVD: DANIEL ZHANG 25OCT18

NAME: 108-2418
 APPLICATION SPEC: 114-13315

TE Connectivity

HEADER ASSEMBLY, EP2.5 SINGLE ROW VERTICAL, WITH BOSS, COLORED, UL VERSION

SIZE: A2
 CAGE CODE: 00779
 DRAWING NO: 2338245
 RESTRICTED TO: -

CUSTOMER DRAWING
 SCALE: N/A
 SHEET: 2 of 2
 REV: A2

X-ON Electronics

Largest Supplier of Electrical and Electronic Components

Click to view similar products for [Headers & Wire Housings](#) category:

Click to view products by [TE Connectivity](#) manufacturer:

Other Similar products are found below :

[892-18-020-10-001101](#) [58102-G61-06LF](#) [582553-1](#) [0009485154](#) [009176003701906](#) [0050291907](#) [LY20-4P-DT1-P1E-BR](#) [02.125.8002.8](#)
[609-3404](#) [61062-3](#) [61082-181009](#) [622-3653LF](#) [63453-116](#) [636-1030](#) [636-1427](#) [636-3427](#) [636-4007](#) [641938-9](#) [641991-4](#) [644827-2](#) [65817-](#)
[010LF](#) [65817-015LF](#) [65863-015LF](#) [66207-023LF](#) [67095-007LF](#) [67601157](#) [68645-018](#) [68648-049](#) [70.362.1628.0](#) [70-4210](#) [70-4226B](#) [70-](#)
[4853B](#) [707-5020](#) [707-5028](#) [71.350.2428.0](#) [71918-208LF](#) [71961-016LF](#) [733-134](#) [733-162](#) [754199-000](#) [760-3052](#) [787-8014-00](#) [79531-3000](#)
[FCN-360C032-B](#) [FCN-367T-T012/H](#) [FCN-723D010/2](#) [80.063.4001.1](#) [800-90-001-10-001000](#) [800-90-010-10-002000](#) [801-43-002-10-013000](#)