

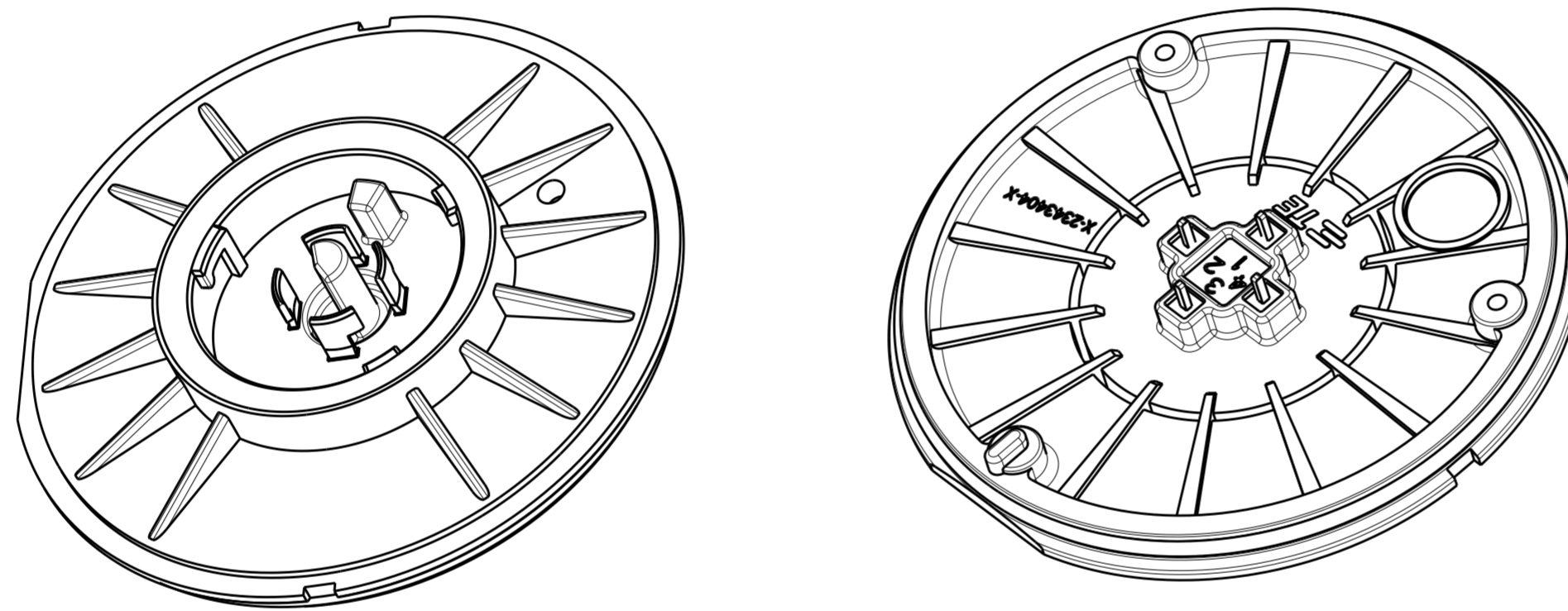
THIS DRAWING IS UNPUBLISHED. RELEASED FOR PUBLICATION 20
 © COPYRIGHT 20 BY - ALL RIGHTS RESERVED.

| REVISIONS | | | | |
|-----------|-----|---------------------------|-----------|-------|
| P | LTR | DESCRIPTION | DATE | APVD |
| | A3 | REVISED PER ECR-20-013028 | 14SEP2020 | MM DD |
| | | | | |
| | | | | |

NOTES:

- 1 MATERIALS AND FINISH:
 -MODULE HOUSING: PBT, COLOR: GREY
 -CONTACTS: BRASS, FINISH: Sn
 -O-RING: SILICON RUBBER
- 2. MUST COMPLY WITH DIRECTIVE 2002/95/EC (ROHS)
- 3 LOCATION OF FLAT ON RECEPTACLE (TE P/N 2213858-1)
 THREAD SECTION IN FULL MATED POSITION
- 4. COMPATIBLE DOME IS 2328823-X.
- 5. MATES WITH RECEPTACLE ASSEMBLIES 2343403-1 OR 1-2343403-1.
- 6. RECOMMENDED PIN OUT FOR 0-10V DIMMING CONTROL APPLICATIONS:

| PIN | 0-10V CONTROL |
|-----|-------------------|
| 1 | DC+ |
| 2 | 0-10V DIM- DC- |
| 3 | 0-10V DIM+ |
| 4 | OPTIONAL |



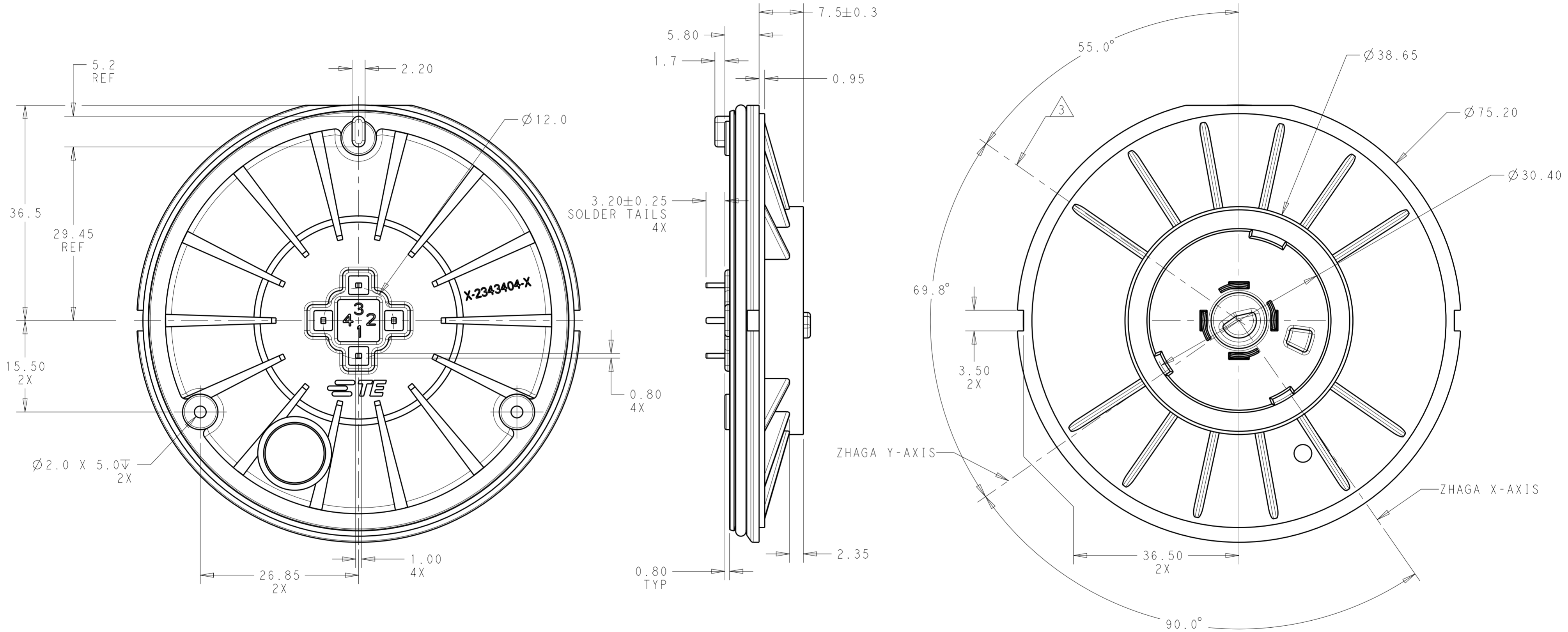
SCALE 3:2

| | |
|------------------------------------|-------------|
| MODULE BASE ASSY,CLOSED VENT,KEY A | 2-2343404-1 |
| MODULE BASE ASSY,VENT,KEY A | 1-2343404-1 |
| DESCRIPTION AND KEYING | PART NO. |

| | | | | |
|--|--|--------------------------------|--|--------------------|
| THIS DRAWING IS A CONTROLLED DOCUMENT. | | DWN C DAILY 03OCT2018 | TE Connectivity | |
| | | CHK E HOWARD 03OCT2018 | | |
| DIMENSIONS: mm | TOLERANCES UNLESS OTHERWISE SPECIFIED: | APVD - | NAME MODULE BASE ASSEMBLY, LUMAWISE ENDURANCE S 80mm DIAMETER,KEYED | |
| | 0 PLC ± 1 PLC ±0.2 2 PLC ±0.15 3 PLC ± 4 PLC ± | PRODUCT SPEC 108-133073 | SIZE A2 | CAGE CODE - |
| MATERIAL - | FINISH - | APPLICATION SPEC 114-133074 | DRAWING NO G-2343404 | RESTRICTED TO - |
| SEE NOTES | | WEIGHT - | CUSTOMER DRAWING | |
| | | | SCALE 2:1 | SHEET 1 OF 4 |
| | | | REV A3 | |

THIS DRAWING IS UNPUBLISHED. RELEASED FOR PUBLICATION 20
 © COPYRIGHT 20 BY - ALL RIGHTS RESERVED.

| REVISIONS | | | | |
|-----------|-----|-------------|------|------|
| P | LTR | DESCRIPTION | DATE | APVD |
| - | - | SEE SHEET 1 | - | - |
| | | | | |
| | | | | |

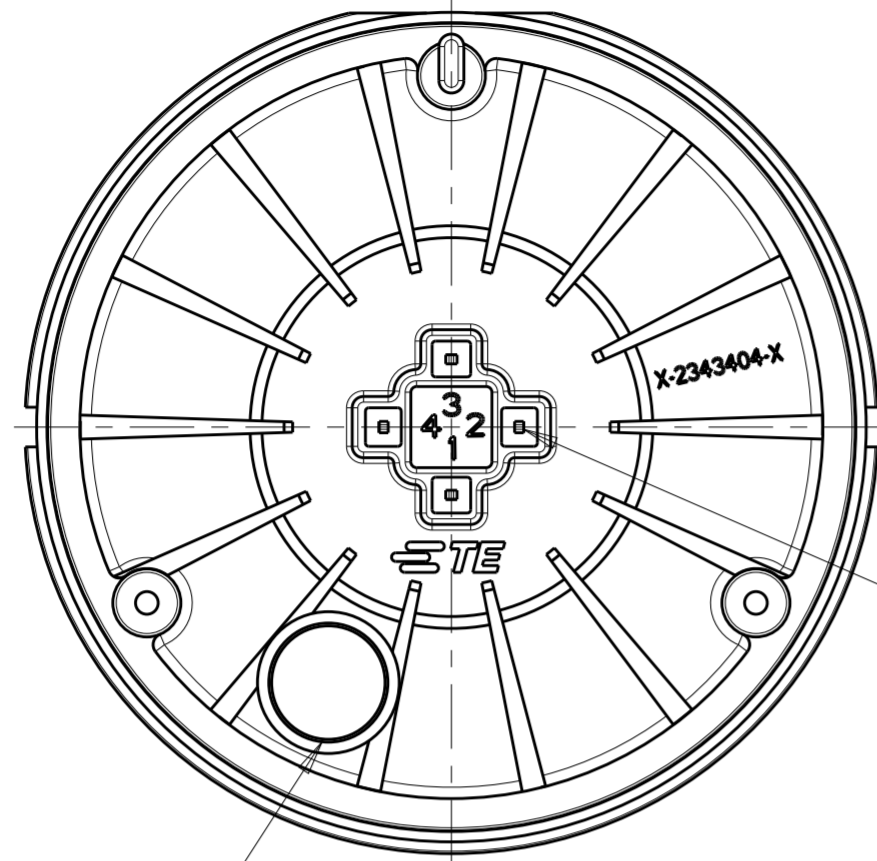


1-2343404-1 SHOWN

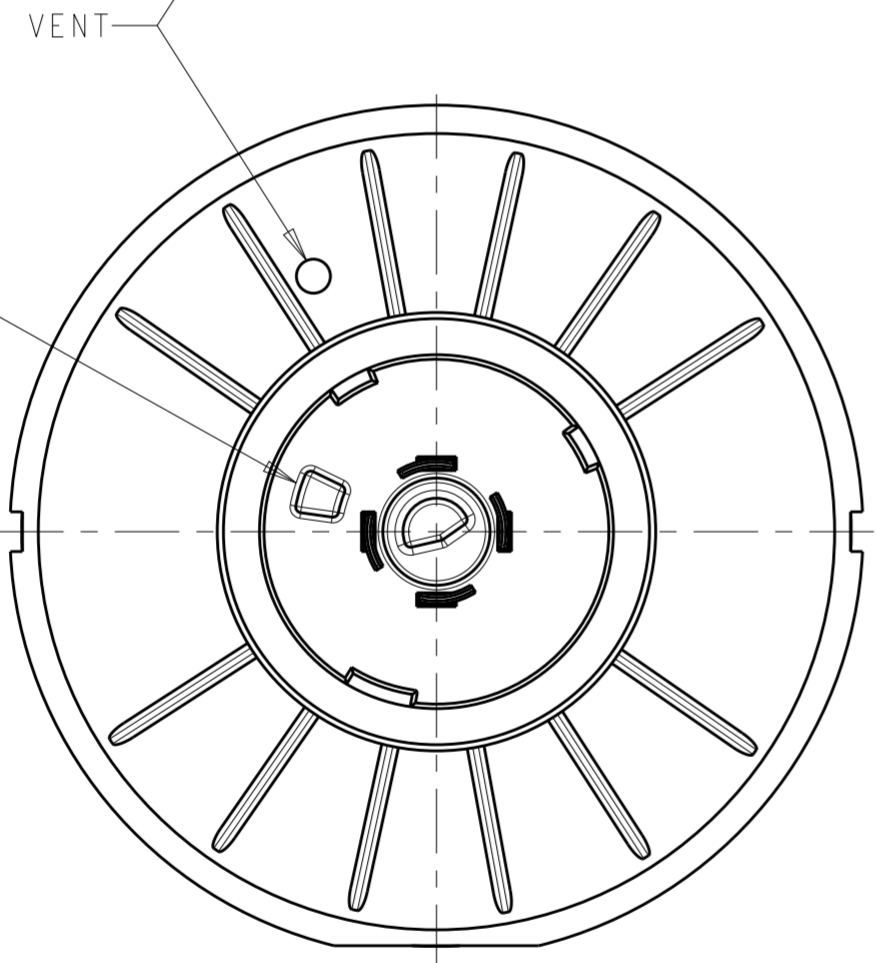
| | | | | | | | | | | | | | | | | | | |
|---|-------|--|----------------------------|---|------|-------|-------|-------|---|-------|---|--------|----|--------|---|----------------------------|------------|----------------|
| THIS DRAWING IS A CONTROLLED DOCUMENT. | | DWN C. DAILY 03OCT2018 | STE TE Connectivity | | | | | | | | | | | | | | | |
| | | CHK E. HOWARD 03OCT2018 | | | | | | | | | | | | | | | | |
| DIMENSIONS: mm | | TOLERANCES UNLESS OTHERWISE SPECIFIED: | | NAME MODULE BASE ASSEMBLY, LUMAWISE ENDURANCE S 80mm DIAMETER, KEYED | | | | | | | | | | | | | | |
| <table border="1"> <tr><td>0 PLC</td><td>±</td></tr> <tr><td>1 PLC</td><td>±0.2</td></tr> <tr><td>2 PLC</td><td>±0.15</td></tr> <tr><td>3 PLC</td><td>±</td></tr> <tr><td>4 PLC</td><td>±</td></tr> <tr><td>ANGLES</td><td>±1</td></tr> <tr><td>FINISH</td><td>-</td></tr> </table> | | 0 PLC | ± | 1 PLC | ±0.2 | 2 PLC | ±0.15 | 3 PLC | ± | 4 PLC | ± | ANGLES | ±1 | FINISH | - | PRODUCT SPEC 108-133073 | SIZE A2 | CAGE CODE - |
| 0 PLC | ± | | | | | | | | | | | | | | | | | |
| 1 PLC | ±0.2 | | | | | | | | | | | | | | | | | |
| 2 PLC | ±0.15 | | | | | | | | | | | | | | | | | |
| 3 PLC | ± | | | | | | | | | | | | | | | | | |
| 4 PLC | ± | | | | | | | | | | | | | | | | | |
| ANGLES | ±1 | | | | | | | | | | | | | | | | | |
| FINISH | - | | | | | | | | | | | | | | | | | |
| MATERIAL - SEE NOTES | | APPLICATION SPEC 114-133074 | DRAWING NO G-2343404 | RESTRICTED TO - | | | | | | | | | | | | | | |
| | | WEIGHT - | SCALE 2:1 | SHEET 2 OF 4 | | | | | | | | | | | | | | |
| | | CUSTOMER DRAWING | REV A3 | | | | | | | | | | | | | | | |

THIS DRAWING IS UNPUBLISHED. RELEASED FOR PUBLICATION 20
 © COPYRIGHT 20 BY - ALL RIGHTS RESERVED.

| REVISIONS | | | | |
|-----------|-----|-------------|------|------|
| P | LTR | DESCRIPTION | DATE | APVD |
| - | | SEE SHEET 1 | - | - |
| | | | | |
| | | | | |

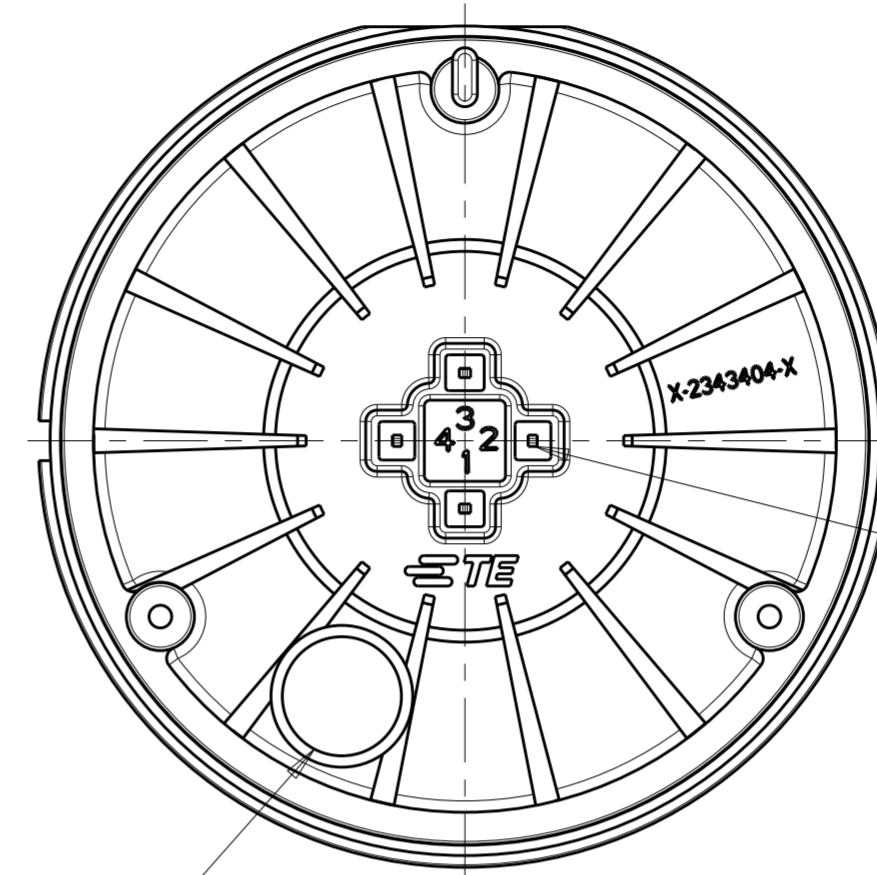


CONTACT SOLDER TAILS SEALED 4X



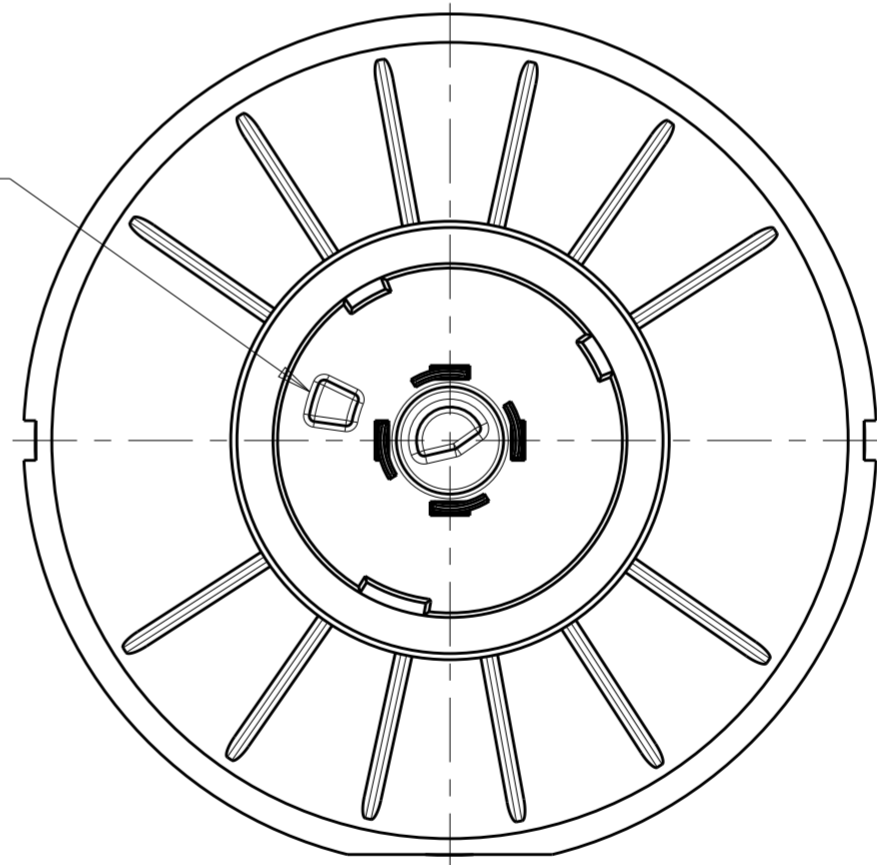
NOTE: KEY

1-2343404-1 SHOWN



CONTACT SOLDER TAILS SEALED 4X

VENT HOLE BLOCKED



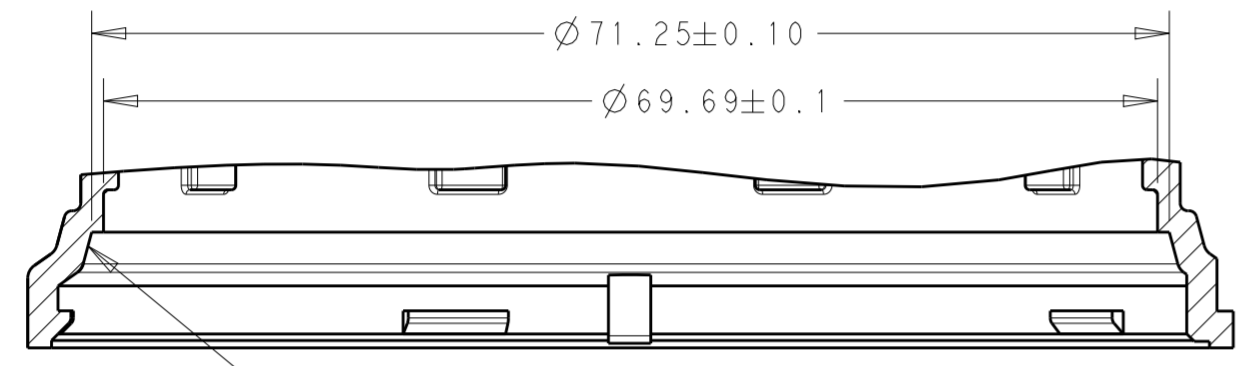
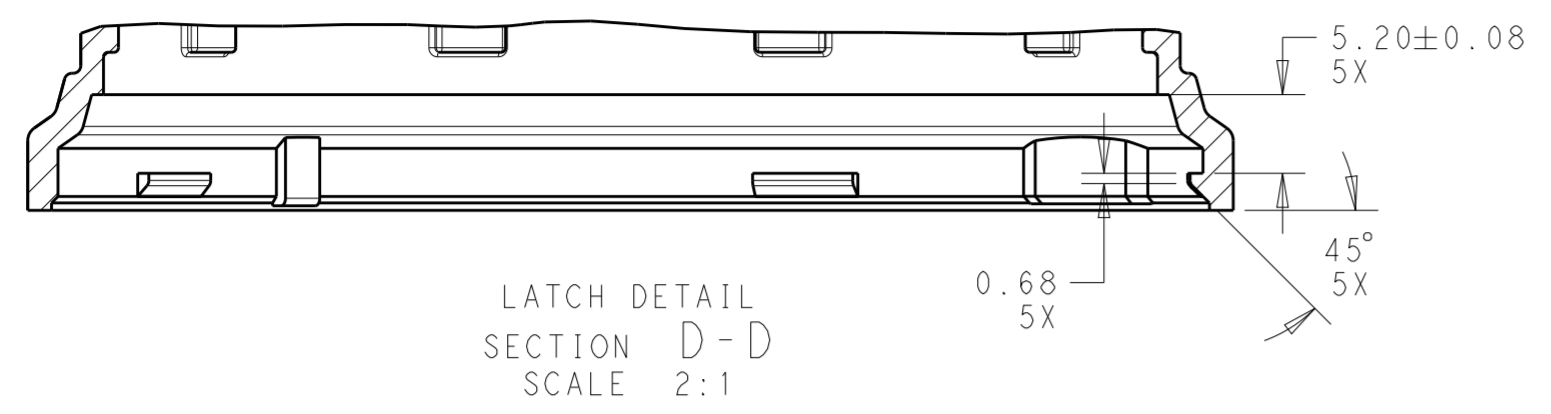
NOTE: KEY

2-2343404-1 SHOWN

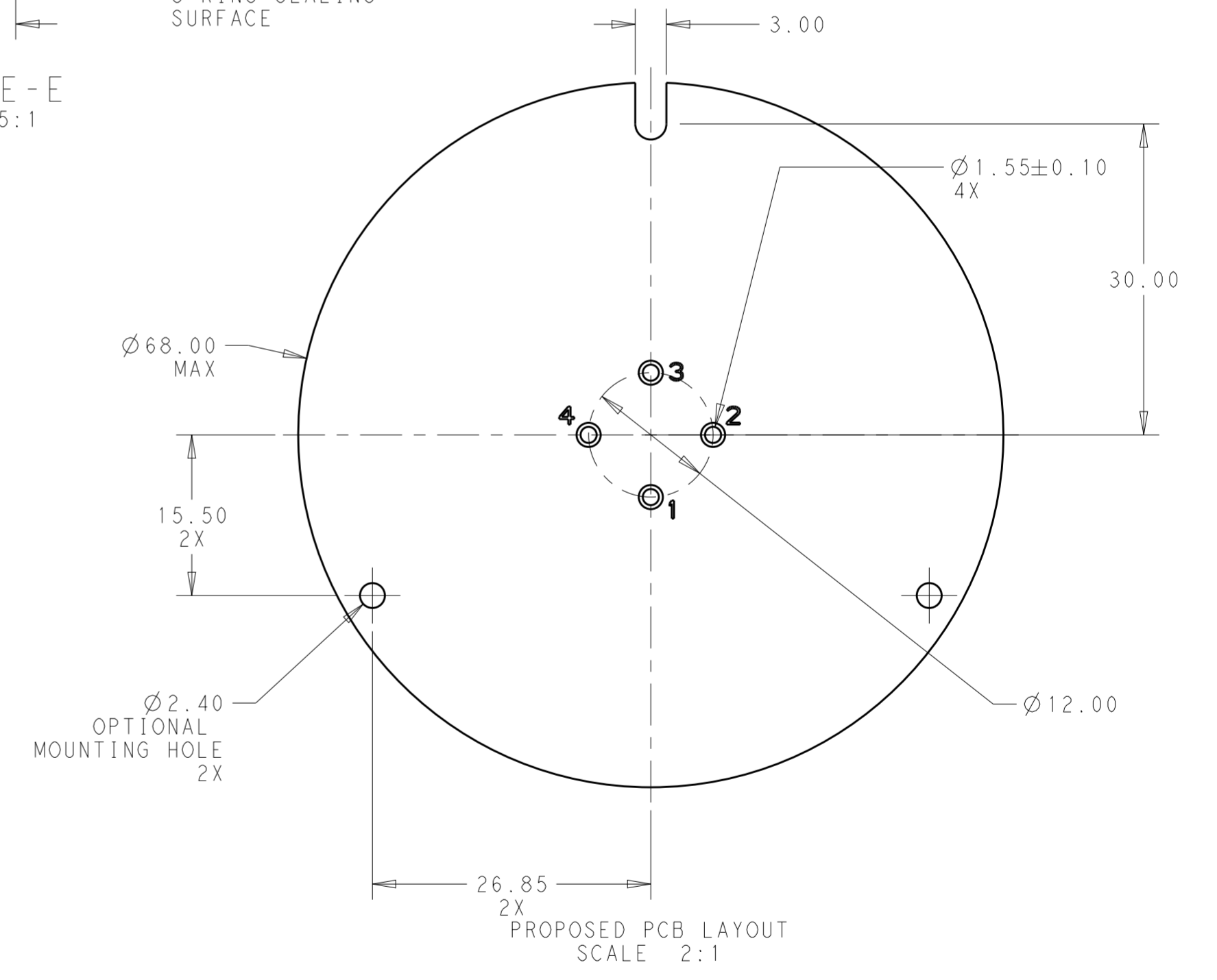
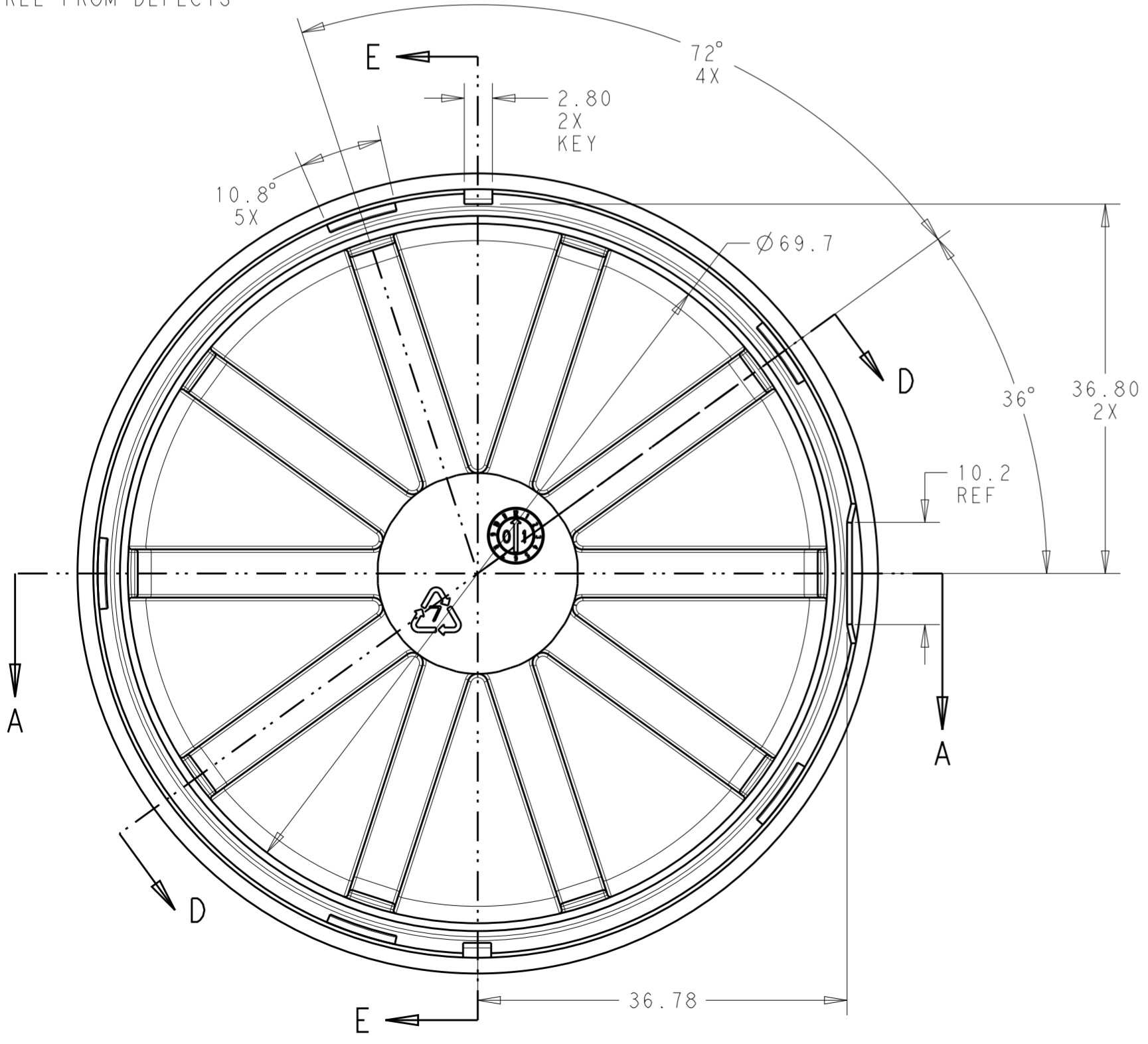
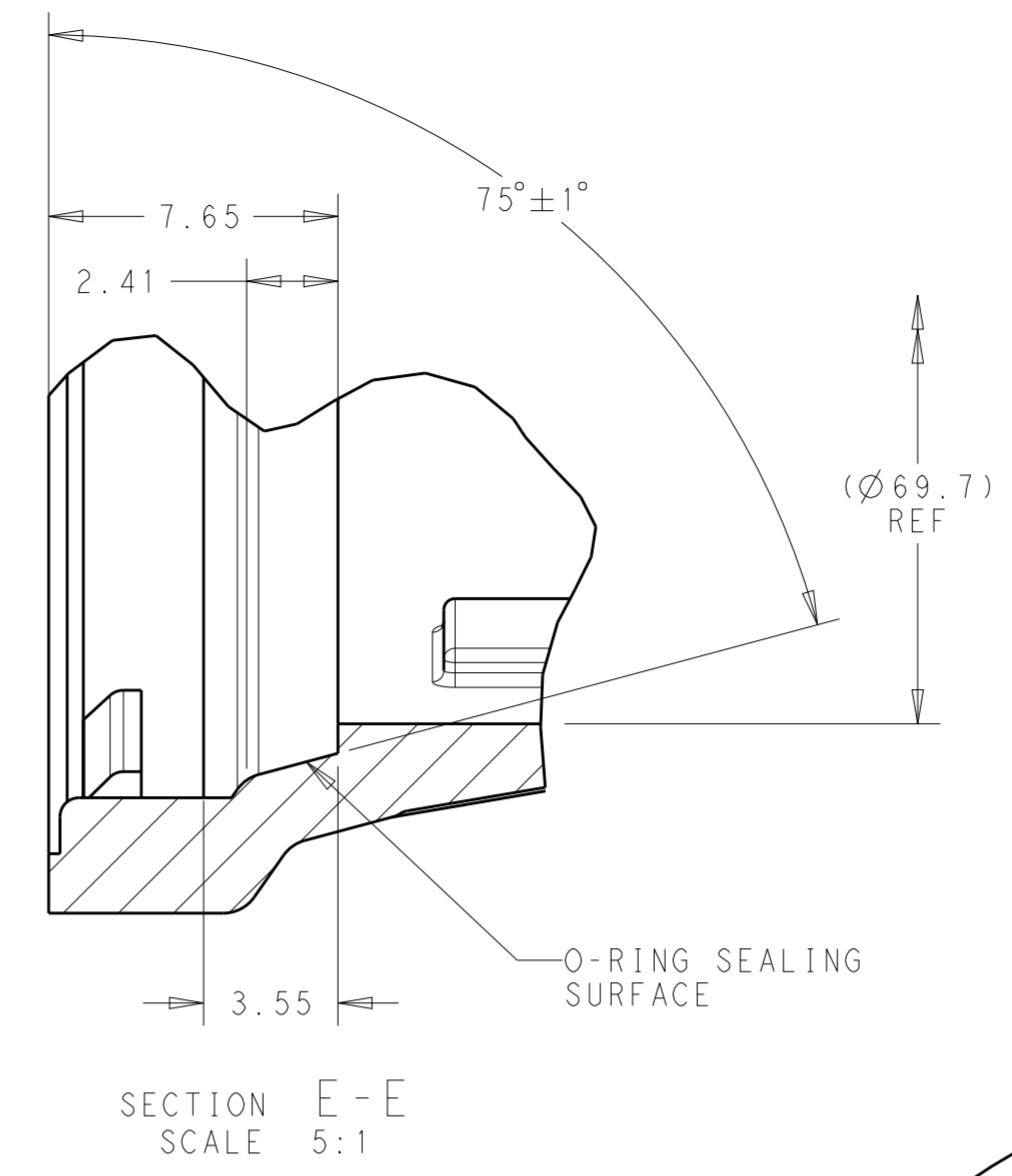
| | | | | | | | | | | | | | | | | | | |
|---|-------|--|----------------------------|---|------|-------|-------|-------|---|-------|---|--------|----|--------|---|-----------|----------------------------|------------|
| THIS DRAWING IS A CONTROLLED DOCUMENT. | | DWN C. DAILY 03OCT2018 | STE TE Connectivity | | | | | | | | | | | | | | | |
| | | CHK E. HOWARD 03OCT2018 | | | | | | | | | | | | | | | | |
| DIMENSIONS: mm | | TOLERANCES UNLESS OTHERWISE SPECIFIED: | | NAME MODULE BASE ASSEMBLY, LUMAWISE ENDURANCE S 80mm DIAMETER, KEYED | | | | | | | | | | | | | | |
| <table border="1"> <tr><td>0 PLC</td><td>±</td></tr> <tr><td>1 PLC</td><td>±0.2</td></tr> <tr><td>2 PLC</td><td>±0.15</td></tr> <tr><td>3 PLC</td><td>±</td></tr> <tr><td>4 PLC</td><td>±</td></tr> <tr><td>ANGLES</td><td>±1</td></tr> <tr><td>FINISH</td><td>-</td></tr> </table> | | 0 PLC | ± | 1 PLC | ±0.2 | 2 PLC | ±0.15 | 3 PLC | ± | 4 PLC | ± | ANGLES | ±1 | FINISH | - | APVD - | PRODUCT SPEC 108-133073 | SIZE A2 |
| 0 PLC | ± | | | | | | | | | | | | | | | | | |
| 1 PLC | ±0.2 | | | | | | | | | | | | | | | | | |
| 2 PLC | ±0.15 | | | | | | | | | | | | | | | | | |
| 3 PLC | ± | | | | | | | | | | | | | | | | | |
| 4 PLC | ± | | | | | | | | | | | | | | | | | |
| ANGLES | ±1 | | | | | | | | | | | | | | | | | |
| FINISH | - | | | | | | | | | | | | | | | | | |
| MATERIAL - SEE NOTES | | APPLICATION SPEC 114-133074 | WEIGHT - | CAGE CODE - | | | | | | | | | | | | | | |
| | | CUSTOMER DRAWING | SCALE 2:1 | DRAWING NO. C-2343404 | | | | | | | | | | | | | | |
| | | | SHEET 3 OF 4 | RESTRICTED TO - | | | | | | | | | | | | | | |
| | | | REV A3 | | | | | | | | | | | | | | | |

THIS DRAWING IS UNPUBLISHED. RELEASED FOR PUBLICATION 20
 © COPYRIGHT 20 BY - ALL RIGHTS RESERVED.

| REVISIONS | | | | |
|-----------|-----|-------------|------|------|
| P | LTR | DESCRIPTION | DATE | APVD |
| - | - | SEE SHEET 1 | - | - |
| | | | | |
| | | | | |



O-RING SEALING SURFACE; MUST BE SMOOTH AND FREE FROM DEFECTS



| | | | | |
|--|---|--------------------------------|----------------------------|---|
| THIS DRAWING IS A CONTROLLED DOCUMENT. | | DWN C. DAILY 03OCT2018 | STE TE Connectivity | |
| | | CHK E. HOWARD 03OCT2018 | | |
| DIMENSIONS: | TOLERANCES UNLESS OTHERWISE SPECIFIED: | APVD - | NAME | MODULE BASE ASSEMBLY, LUMAWISE ENDURANCE S 80mm DIAMETER, KEYED |
| mm | 0 PLC ± 1 PLC ±0.2 2 PLC ±0.15 3 PLC ± 4 PLC ± ANGLES ±1 FINISH - | PRODUCT SPEC 108-133073 | SIZE | |
| MATERIAL - SEE NOTES | | APPLICATION SPEC 114-133074 | CAGE CODE - | DRAWING NO C-2343404 |
| | | WEIGHT - | RESTRICTED TO - | |
| | | CUSTOMER DRAWING | SCALE 2:1 | SHEET 4 OF 4 REV A3 |

X-ON Electronics

Largest Supplier of Electrical and Electronic Components

Click to view similar products for [LED Lighting Mounting Accessories](#) category:

Click to view products by [TE Connectivity](#) manufacturer:

Other Similar products are found below :

[C16142_HEKLA-SOCKET-K](#) [3SU1401-1BG20-1AA0](#) [3SU1900-0BC31-0NB0](#) [ES16-RT](#) [1SFA616921R2042](#) [1SFA616921R2131](#)
[1SFA616921R2133](#) [1SFA616921R2143](#) [1SFA611621R1093](#) [B8910020](#) [D3980022](#) [E3990022](#) [E3990040](#) [CABI12 E BK 1M SET PRM](#)
[FLAT8 H/U BK 1M SET PRM](#) [BEGTIN12 J/S BK 1M SET PRM](#) [1-2213678-6](#) [C16791_CLAMP-Z45-A](#) [F17250_SOLDER-CLIP-A](#) [CM22-](#)
[4-20MA](#) [CM22-R10K-MT](#) [CM22-R1K](#) [CM22-R50K](#) [CM22-R5K-MT](#) [CM22-SLR](#) [10465](#) [M22-A](#) [M22-CK11](#) [M22-CK20](#) [M22G-XGPV](#)
[M22-K01](#) [M22-LCH-W](#) [M22-LC-R](#) [M22-LED230-R](#) [M22-LED230-W](#) [M22-LEDC230-G](#) [M22-LEDC-G](#) [M22-LEDC-W](#) [M22-LED-G](#)
[M22-LED-W](#) [M22-L-G](#) [M22-LH-G](#) [M22-LH-R](#) [M22-LH-W](#) [M22-L-R](#) [M22-L-W](#) [M22-L-X](#) [M22-R10K](#) [M22-R1K](#) [M22-R470K](#)