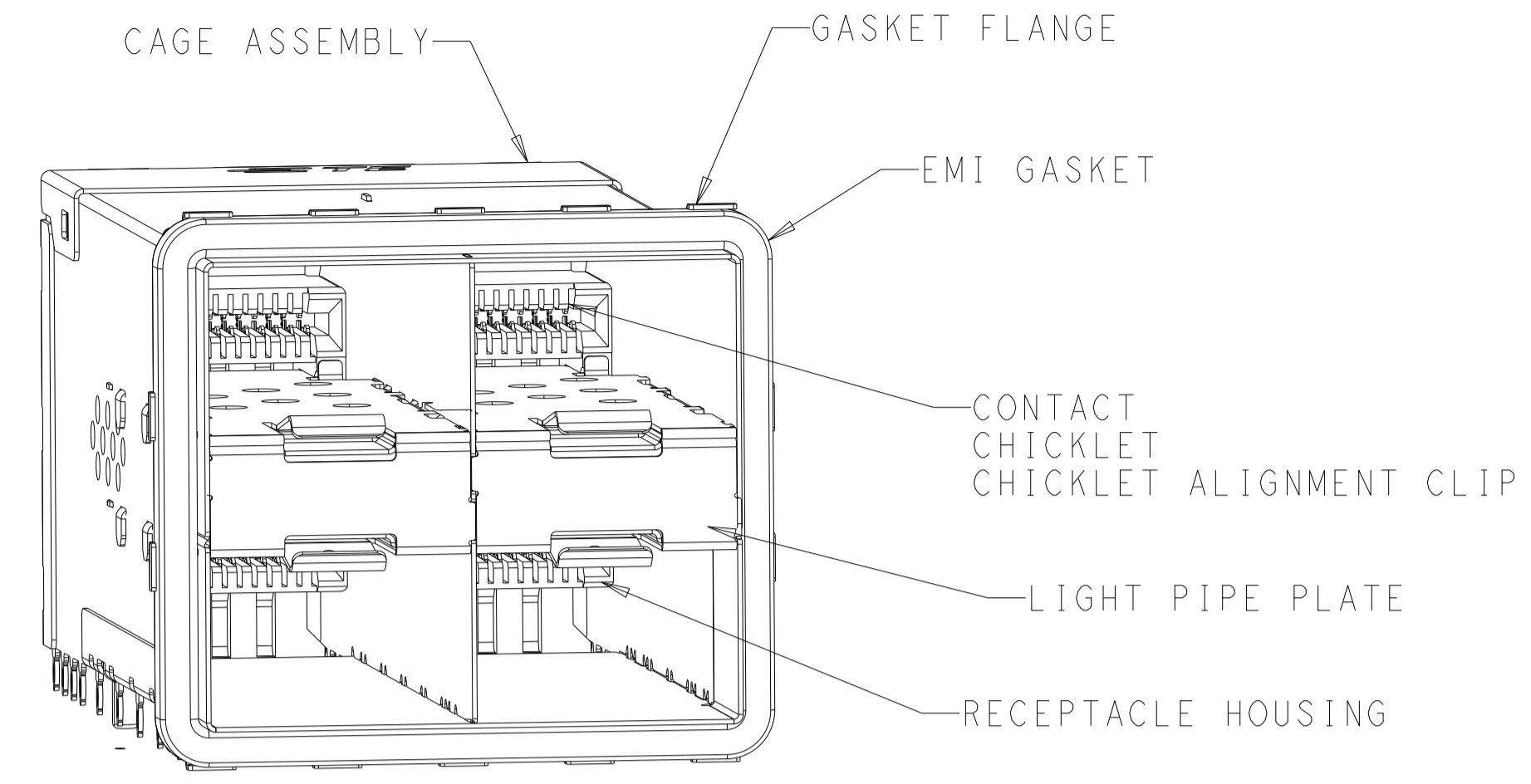
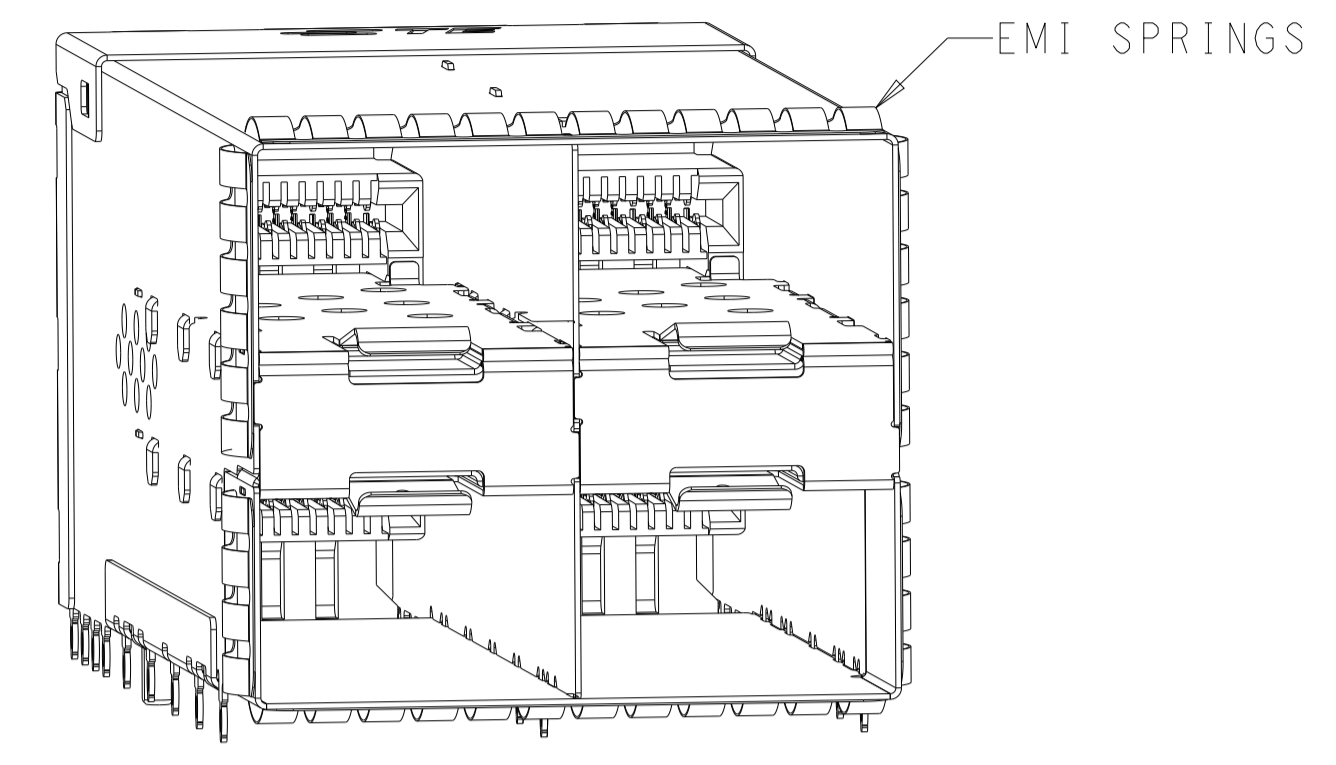


REVISONS		DATE	OWN	APVD
E	REVISED PER ECO-20-014521	13OCT2020	JY	SH
E1	ADD NEW DASH NUMBER 3--4	17MAR2021	SZ	SZ
E2	ADD 4-4 PER ECN-21-106868	09JUN2021	SZ	SZ



2343522-1
SCALE 3:1



2343522-5
SCALE 3:1

- MATERIALS:
 CAGE ASSEMBLY - NICKEL-SILVER ALLOY PER ASTM B 122 OR WITH NICKEL PLATED FOR CUSTOMIZED SPEC
 CONNECTOR HOUSING - LCP, BLACK, UL 94V-0 RATED
 CHICKLET - LCP, BLACK, UL 94V-0 RATED
 CHICKLET ALIGNMENT CLIP - LCP, BLACK, UL 94V-0 RATED
 CONTACT - COPPER ALLOY
 EMI GASKET - ELASTOMERIC
 GASKET FLANGE - STAINLESS STEEL
 EMI SPRINGS - PHOSPHOR BRONZE PER ASTM B 103, 0.8µm MIN TIN PER ASTM B 545
 LIGHT PIPE - POLYCARBONATE
 LIGHT PIPE PLATE - STAINLESS STEEL

- CONTACT FINISH:
 0.76µm MIN GOLD PER ASTM B 844 AT MATING INTERFACE,
 1.25µm MIN MATTE TIN PER ASTM B 545 AT PCB INTERFACE
 ALLOVER 2.54µm MIN NICKEL PER QQ-N-290.

- PCB MINIMUM THICKNESS = 1.5mm

△ FOR HOLE SIZE AND PLATINGS, SEE APPLICATION SPECIFICATION 114-13319

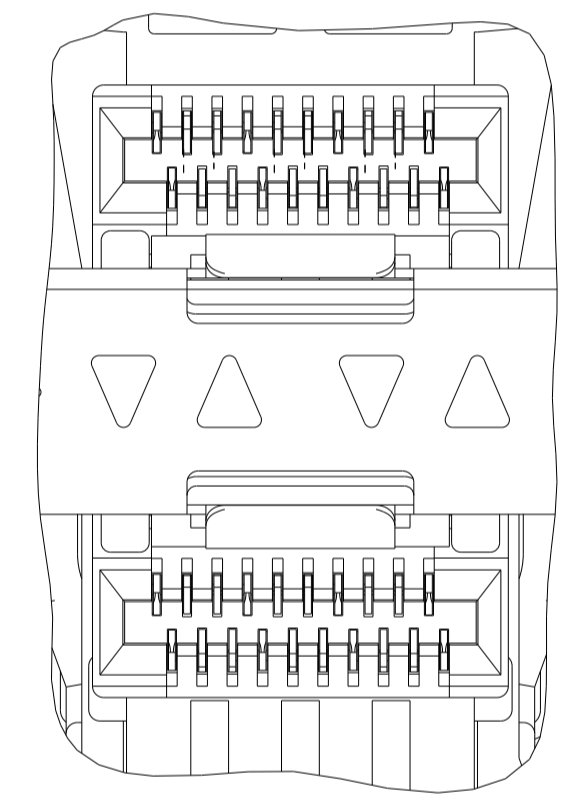
△ LIGHT PIPE PAD LAYOUT IS FOR 0805 LOW PROFILE LED PACKAGE WITH A HEIGHT OF 0.8mm

△ DIMENSIONS APPLY FOR EMI SPRINGS ONLY

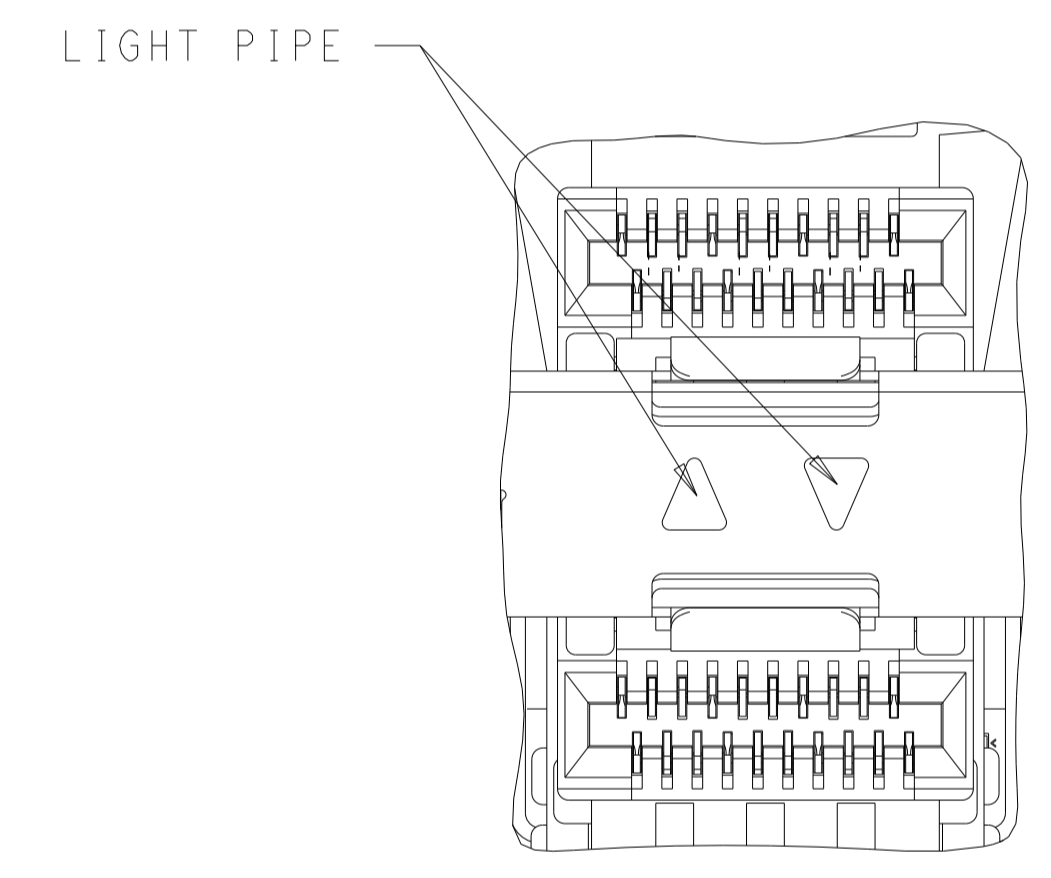
△ THE ENTIRE AREA OF THE CONNECTOR FOOTPRINT, INDICATED BY THE DASHED LINE, TO BE CONSIDERED THE KEEPOUT AREA FOR COMPONENTS AND SIGNAL TRACES, TOP SIDE ONLY, TOP SIDE TRACES ALLOWED WITHIN CONNECTOR HOLE PATTERN

△ LOW Br/Ci AS DEFINED IN TEC-138-702.

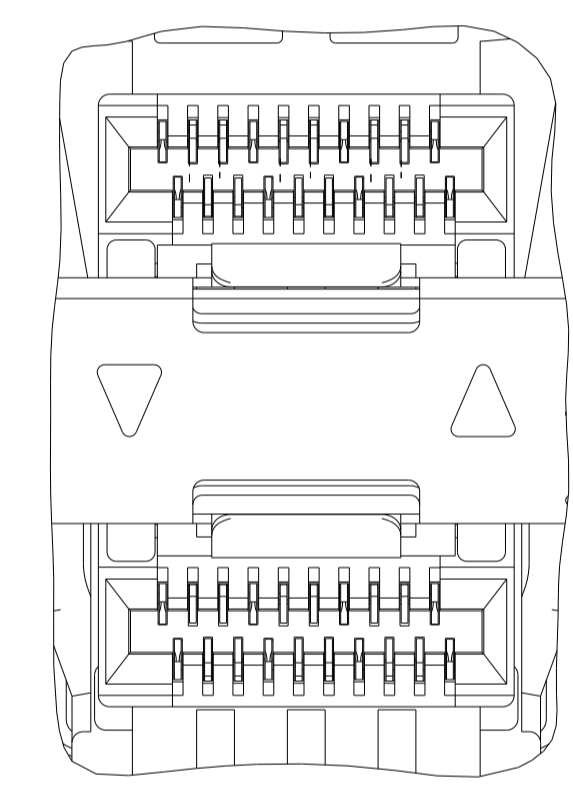
△ LIGHT PIPE COATED VERSION



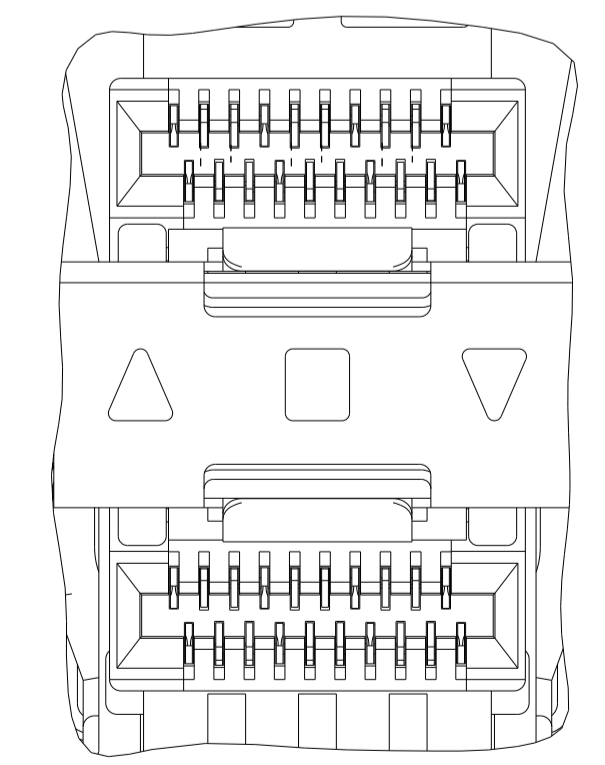
INNER/OUTER LIGHT PIPES
2343522-2, 2343522-6, 5-2343522-6
SCALE 5:1



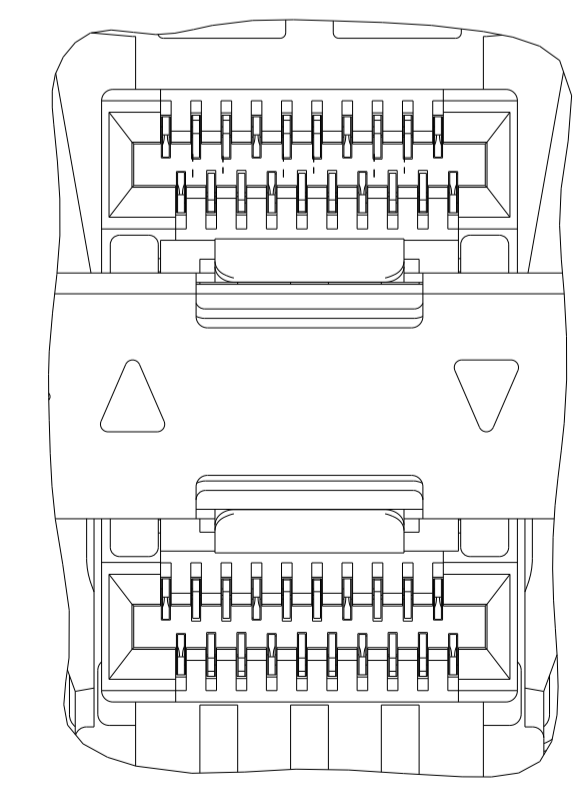
INNER LIGHT PIPES
2343522-3, 2343522-7
SCALE 5:1



OUTER LIGHT PIPES
2343522-4, 2343522-8, 5-2343522-8
SCALE 5:1



CENTER/REVERSED OUTER LIGHT PIPES
1-2343522-7, 1-2343522-9
SCALE 5:1



REVERSED OUTER LIGHT PIPES
1-2343522-8, 2-2343522-0
SCALE 5:1

31	EMI SPRINGS AND CAGE W Ni PLATED	OUTER	5-2343522-8 △8
31	EMI SPRINGS AND CAGE W Ni PLATED	INNER/OUTER	5-2343522-6 △8
31	EMI SPRINGS AND CAGE W Ni PLATED	REVERSED OUTER	5-2343522-3
31	EMI SPRINGS W Ni PLATED	REVERSED OUTER	4-2343522-4 △9
31	EMI SPRINGS W Ni PLATED	REVERSED OUTER	4-2343522-3
31	EMI SPRINGS	CENTER/REVERSED OUTER	3-2343522-4
31	EMI SPRINGS	REVERSED OUTER	3-2343522-3
31	EMI SPRINGS	REVERSED OUTER	2-2343522-0
31	EMI SPRINGS	CENTER/REVERSED OUTER	1-2343522-9
33.75	EMI GASKET	REVERSED OUTER	1-2343522-8
31	EMI GASKET	CENTER/REVERSED OUTER	1-2343522-7
31	EMI SPRINGS	OUTER	2343522-8
31	EMI SPRINGS	INNER	2343522-7
31	EMI SPRINGS	INNER/OUTER	2343522-6
31	EMI SPRINGS	NONE	2343522-5
33.75	EMI GASKET	OUTER	2343522-4
33.75	EMI GASKET	INNER	2343522-3
33.75	EMI GASKET	INNER/OUTER	2343522-2
33.75	EMI GASKET	NONE	2343522-1
(E)	CAGE TYPE	LIGHT PIPE CONFIGURATION	PART NUMBER

THIS DRAWING IS A CONTROLLED DOCUMENT. OWN: LEO LI 04SEP2018
 CHK: SEAN HAN 04SEP2018
 APVD: SEAN HAN 04SEP2018

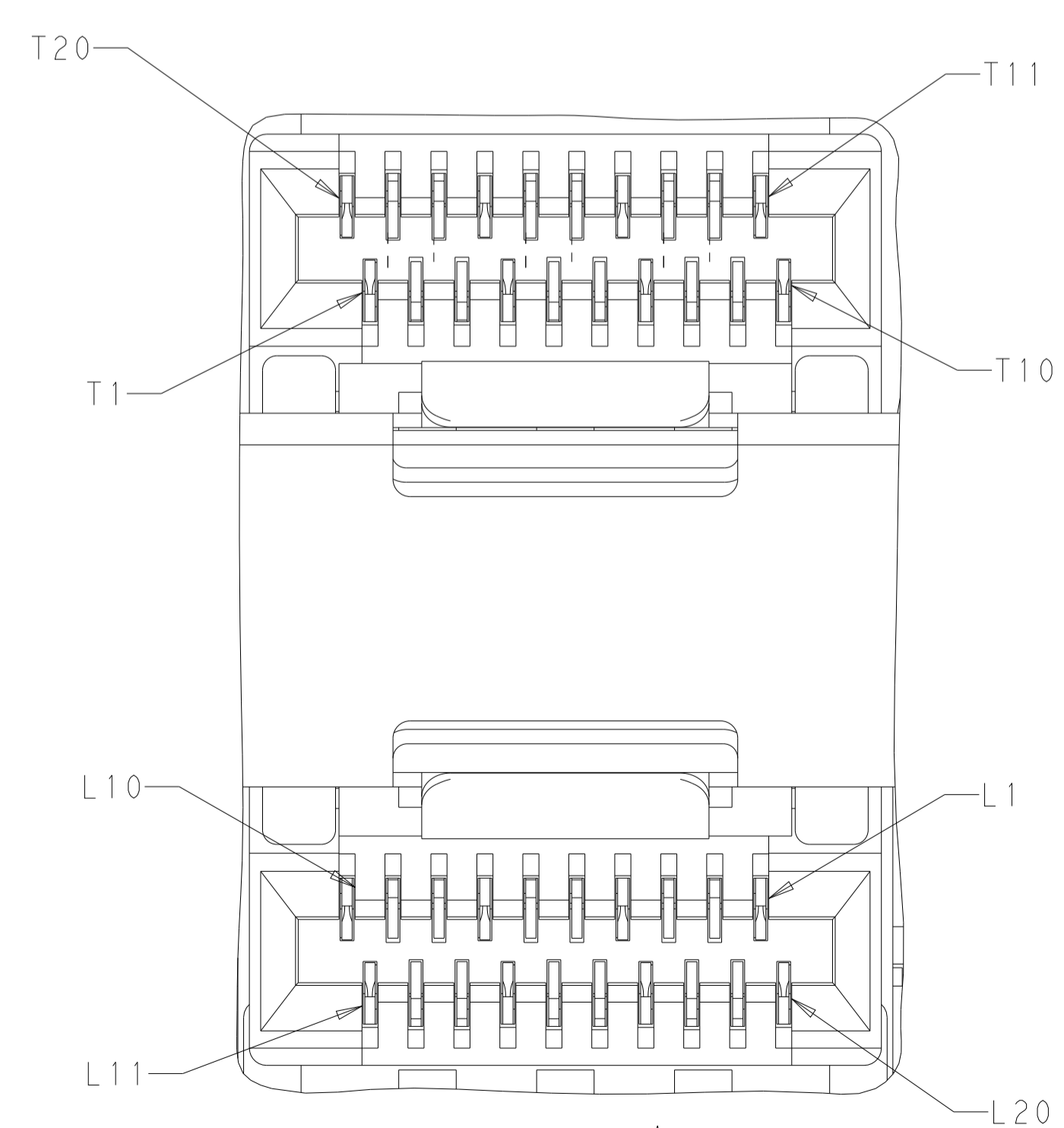
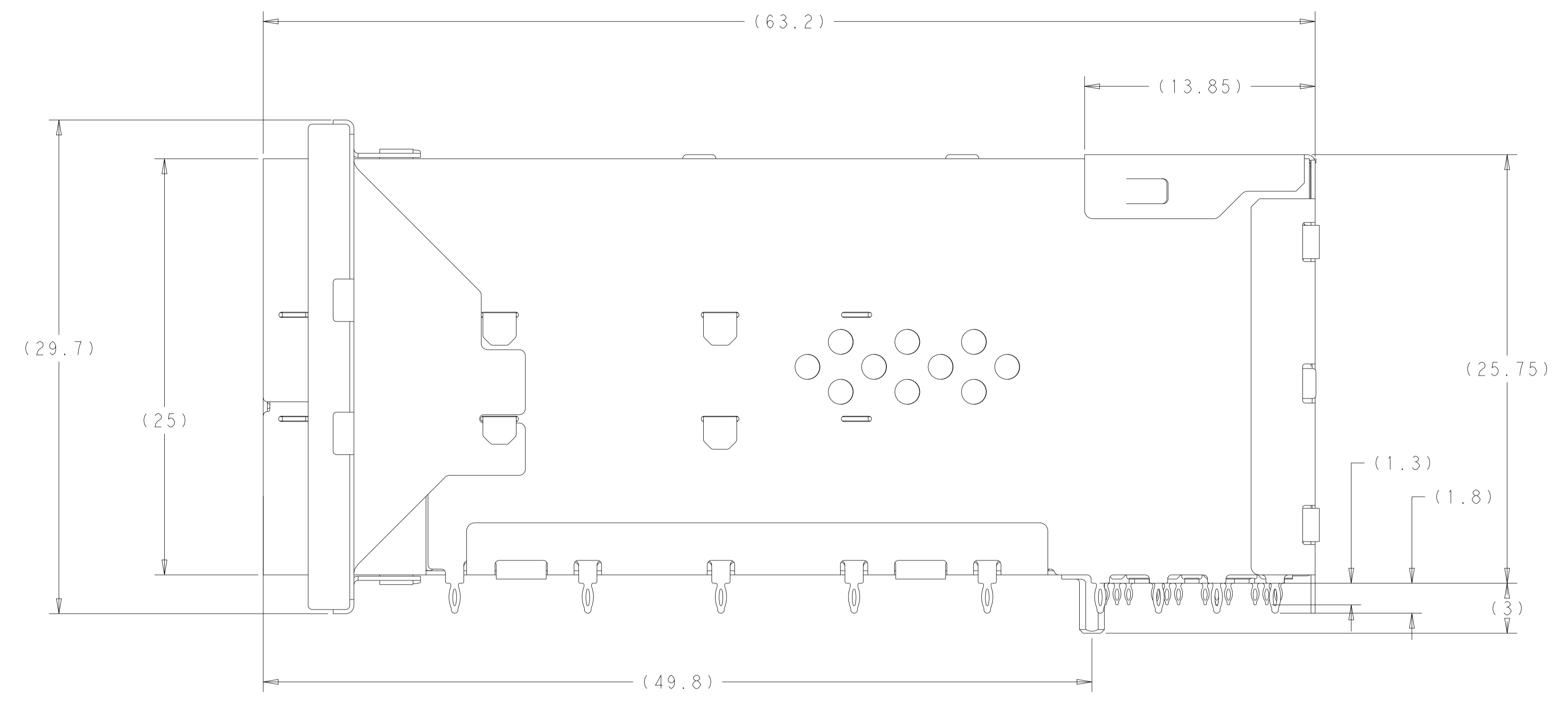
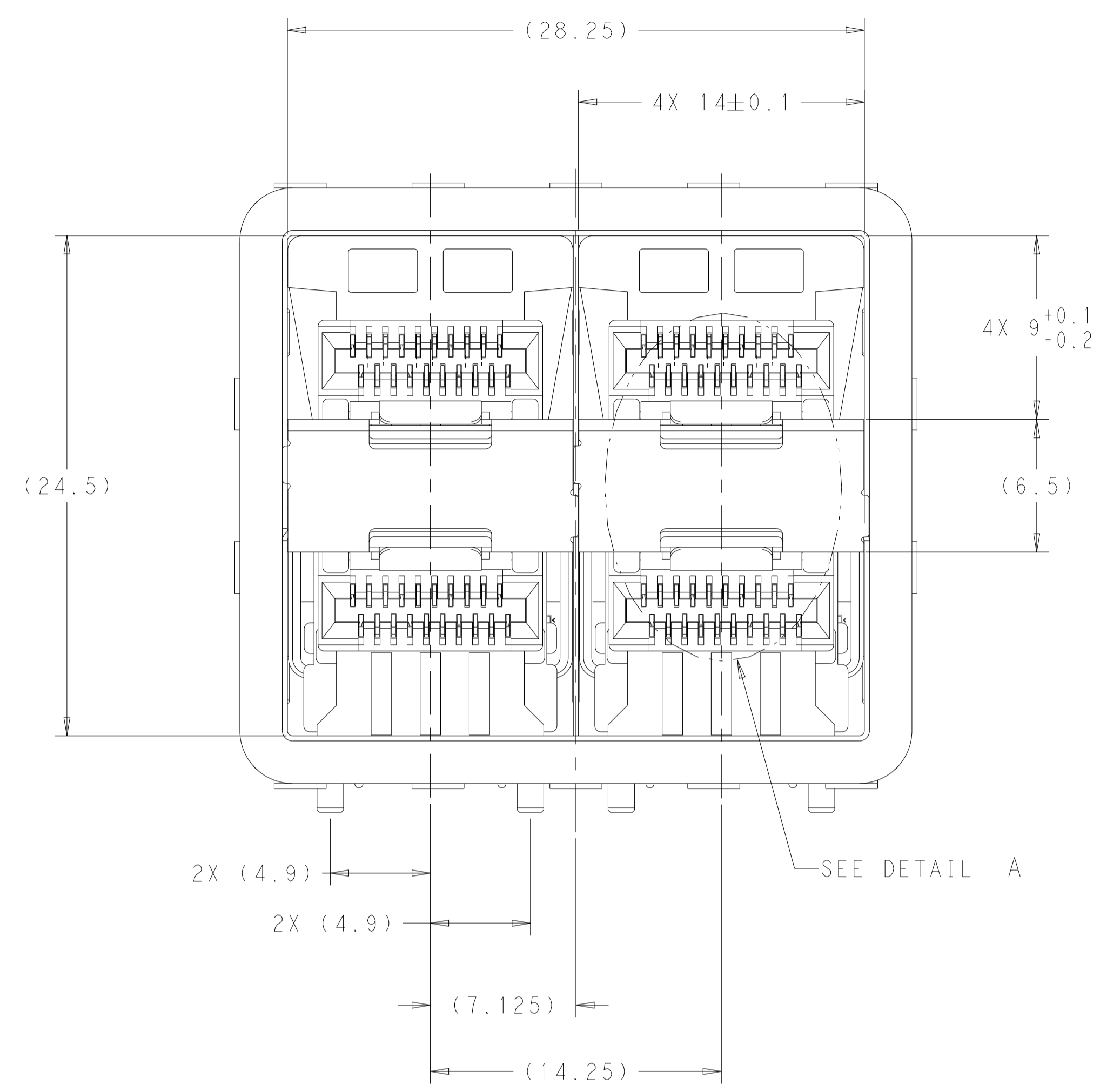
TE Connectivity

RECEPTACLE ASSEMBLY, 2X2, STACKED, SFP56

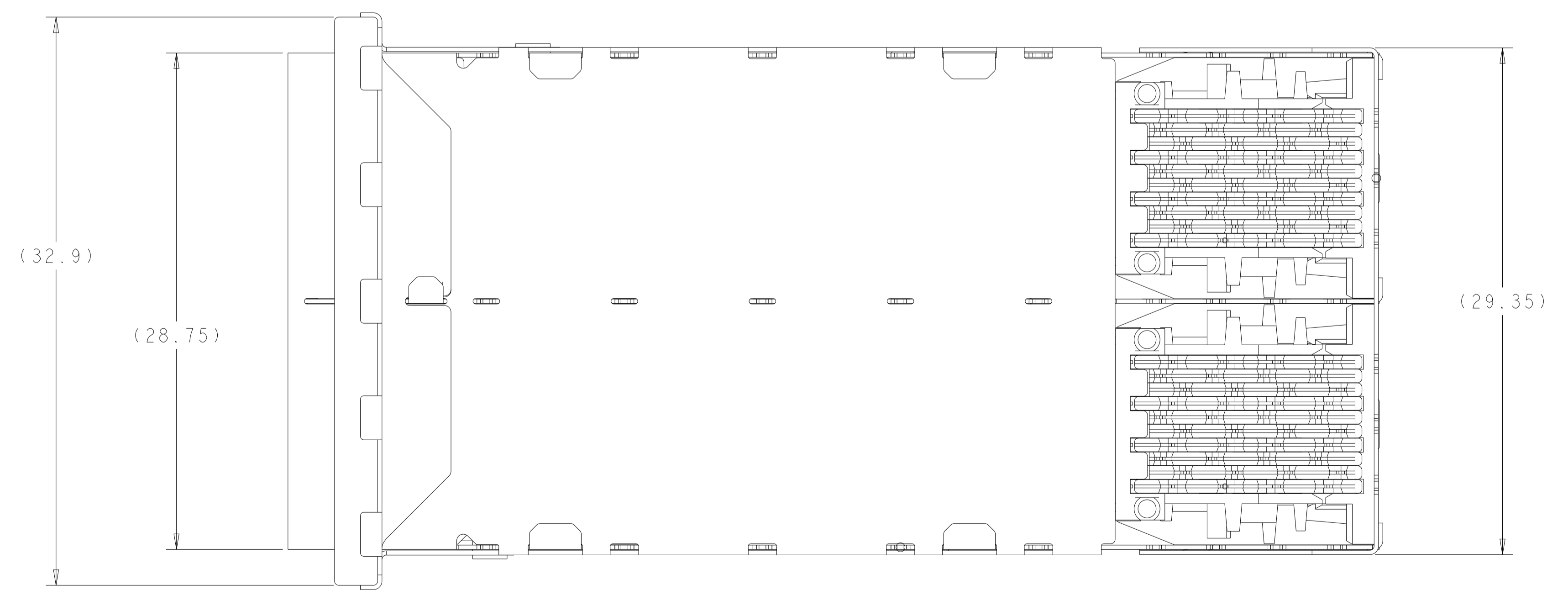
SIZE: A1 00779 C=2343522

SCALE: 4:1 SHEET 1 OF 6 REV: E2

LOC		DIST		REVISIONS			
P	LTN	DESCRIPTION	DATE	OWN	APVD		
-	-	SEE SHEET 1	-	-	-		



DETAIL A
 2 PLACES
 SCALE 10:1



THIS DRAWING IS A CONTROLLED DOCUMENT. OWN: LEO LI 04SEP2018
 CHK: SEAN HAN 04SEP2018
 APVD: SEAN HAN 04SEP2018

TE Connectivity

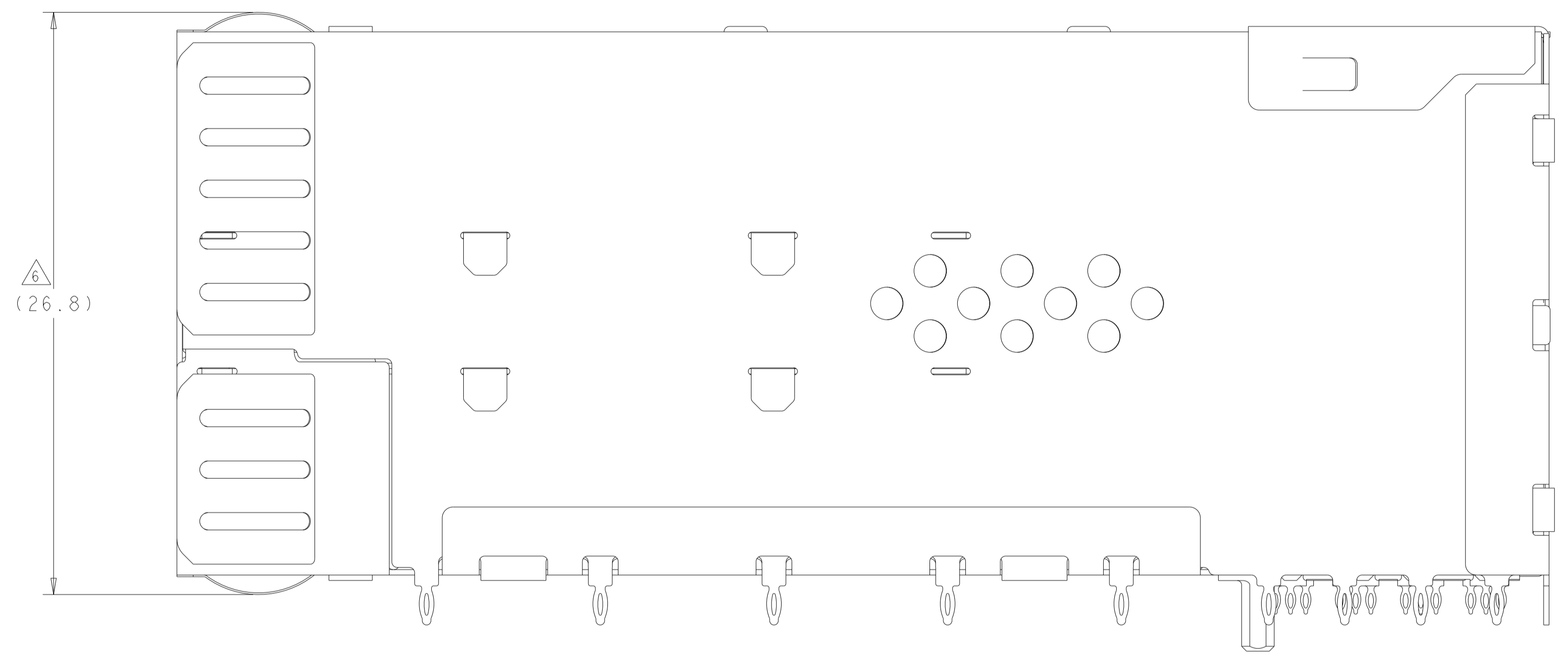
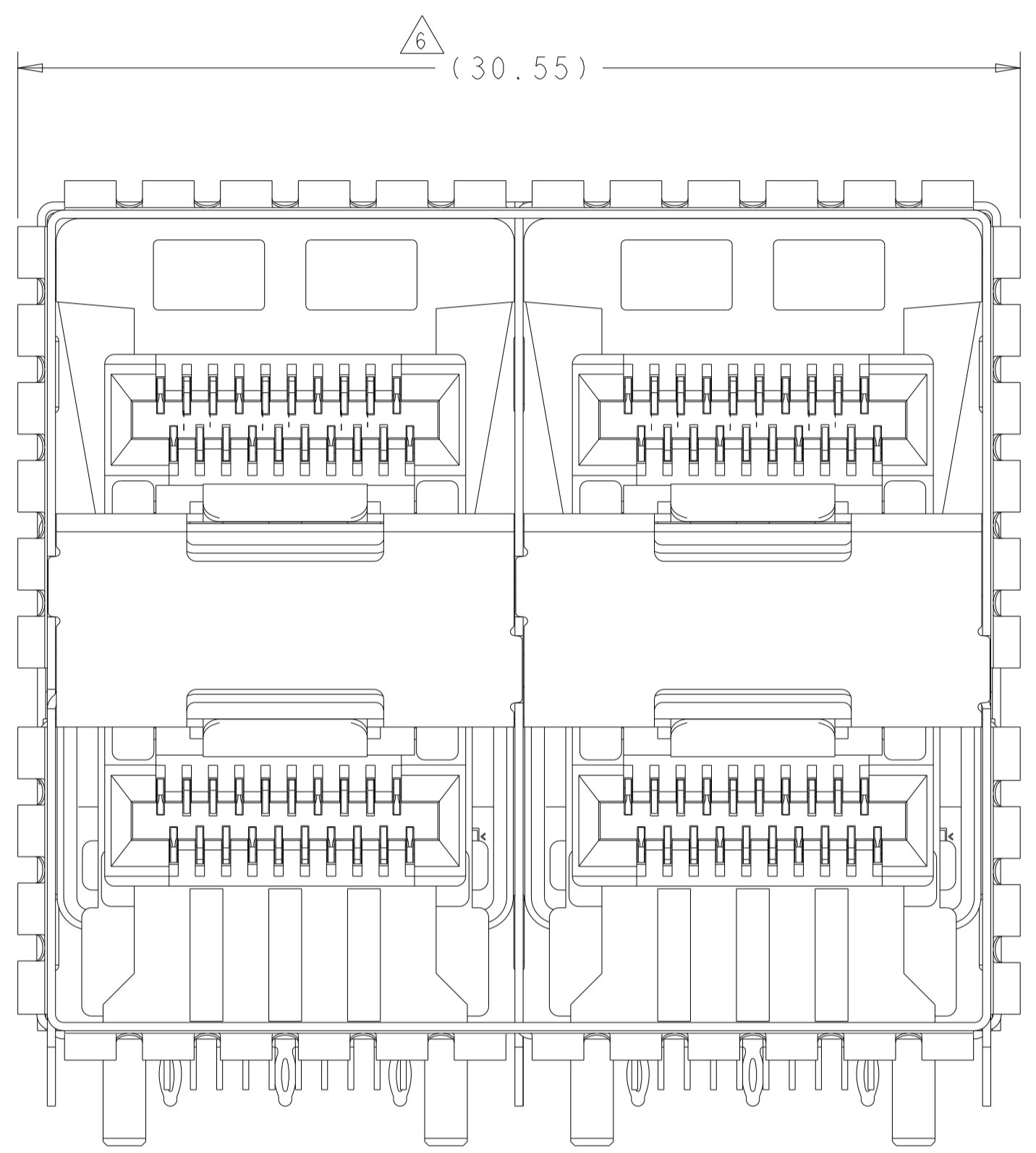
RECEPTACLE ASSEMBLY, 2X2, STACKED, SFP56

108-2481
 APPLICATION SPEC

114-13319
 WEIGHT: -

SCALE 5:1 SHEET 2 OF 6 REV E2

LOC	DIST	REVISIONS			
P	LTN	DESCRIPTION	DATE	DMN	APVD
GP	00	SEE SHEET 1	-	-	-

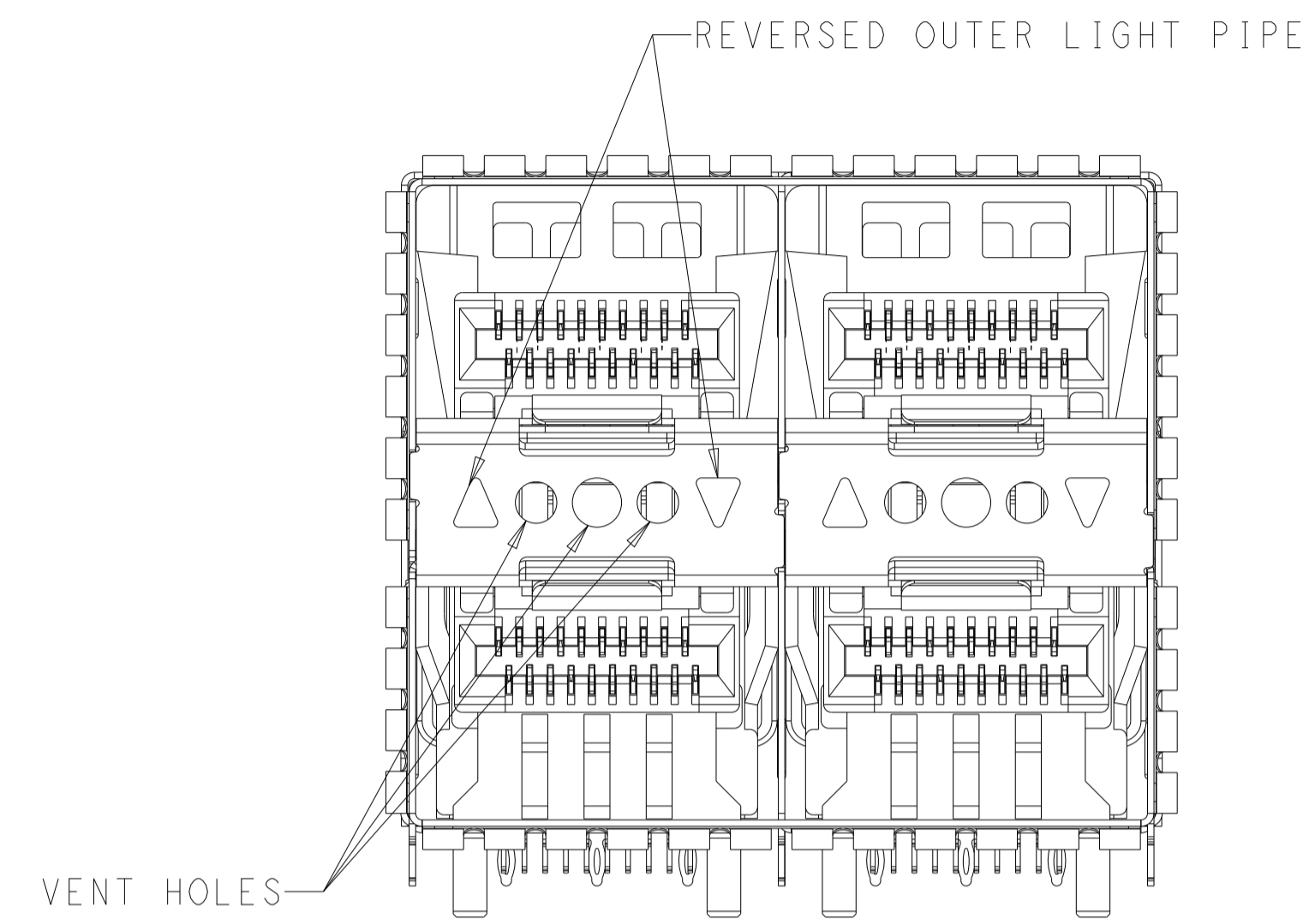


2343522-5 THRU 2343522-8, 1-2343522-9, 2-2343522-0,
 5-2343522-6, 5-2343522-8
 EMI SPRINGS ONLY
 SCALE 6:1

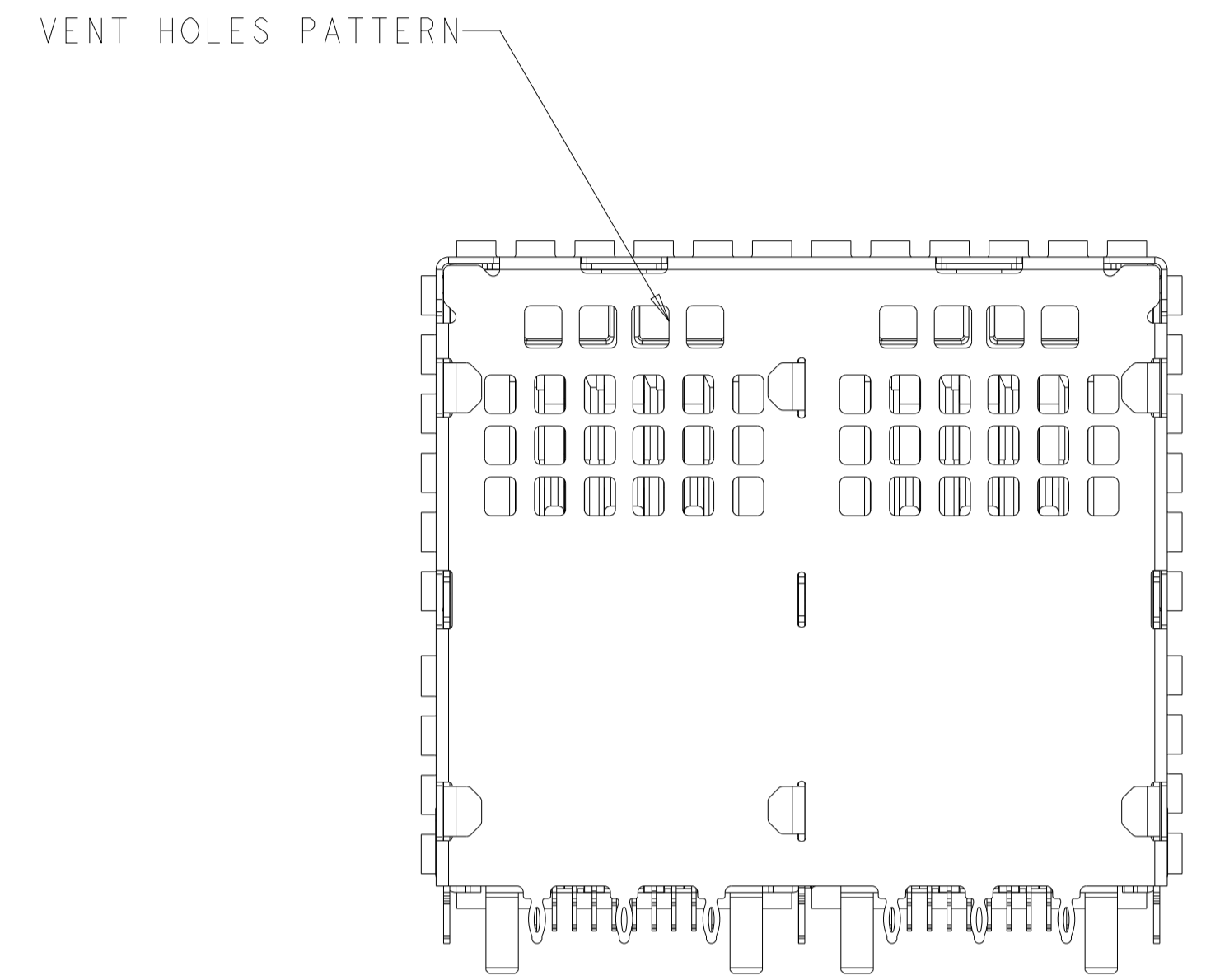
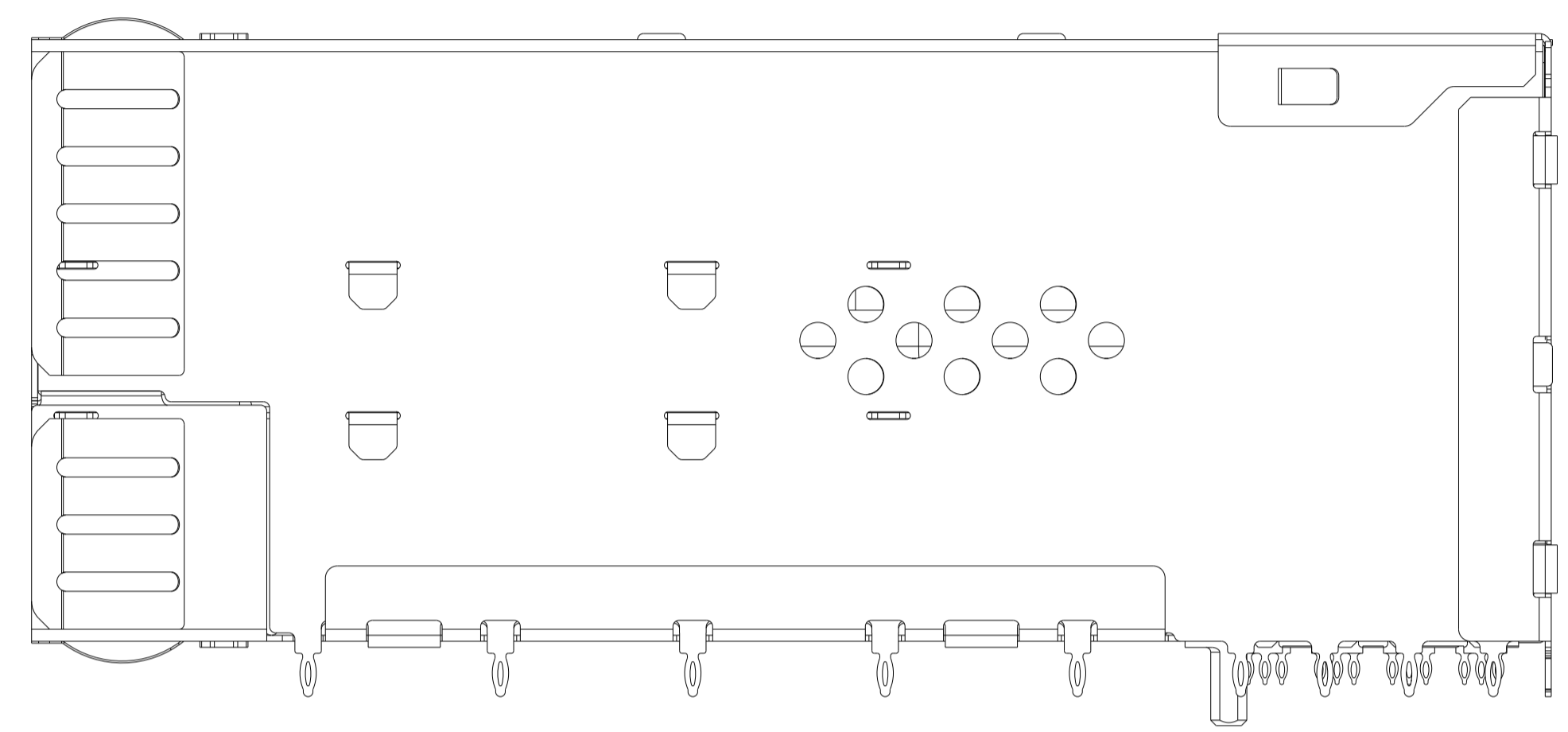
THIS DRAWING IS A CONTROLLED DOCUMENT.		OWN: LEO LI 04SEP2018	
DIMENSIONS: mm		CHK: SEAN HAN 04SEP2018	
		APVD: SEAN HAN 04SEP2018	
TOLERANCES UNLESS OTHERWISE SPECIFIED: 0 PLC ±0.25 1 PLC ±0.25 2 PLC ±0.25 3 PLC ±0.25 4 PLC ±0.25 ANGLES ±° FINISH ±5°		NAME: RECEPTACLE ASSEMBLY, 2X2, STACKED, SFP56	
MATERIAL: SEE NOTES	FINISH: SEE NOTES	PRODUCT SPEC: 108-2481	RESTRICTED TO: -
CUSTOMER DRAWING		APPLICATION SPEC: 114-13319	SIZE: A1
SCALE: 4:1		WEIGHT: -	CAGE CODE: 2343522
SHEET 3 OF 6		REV: E2	

LOC	DIST	REVISIONS			
P	LYR	DESCRIPTION	DATE	OWN	APVD
-	-	SEE SHEET 1	-	-	-

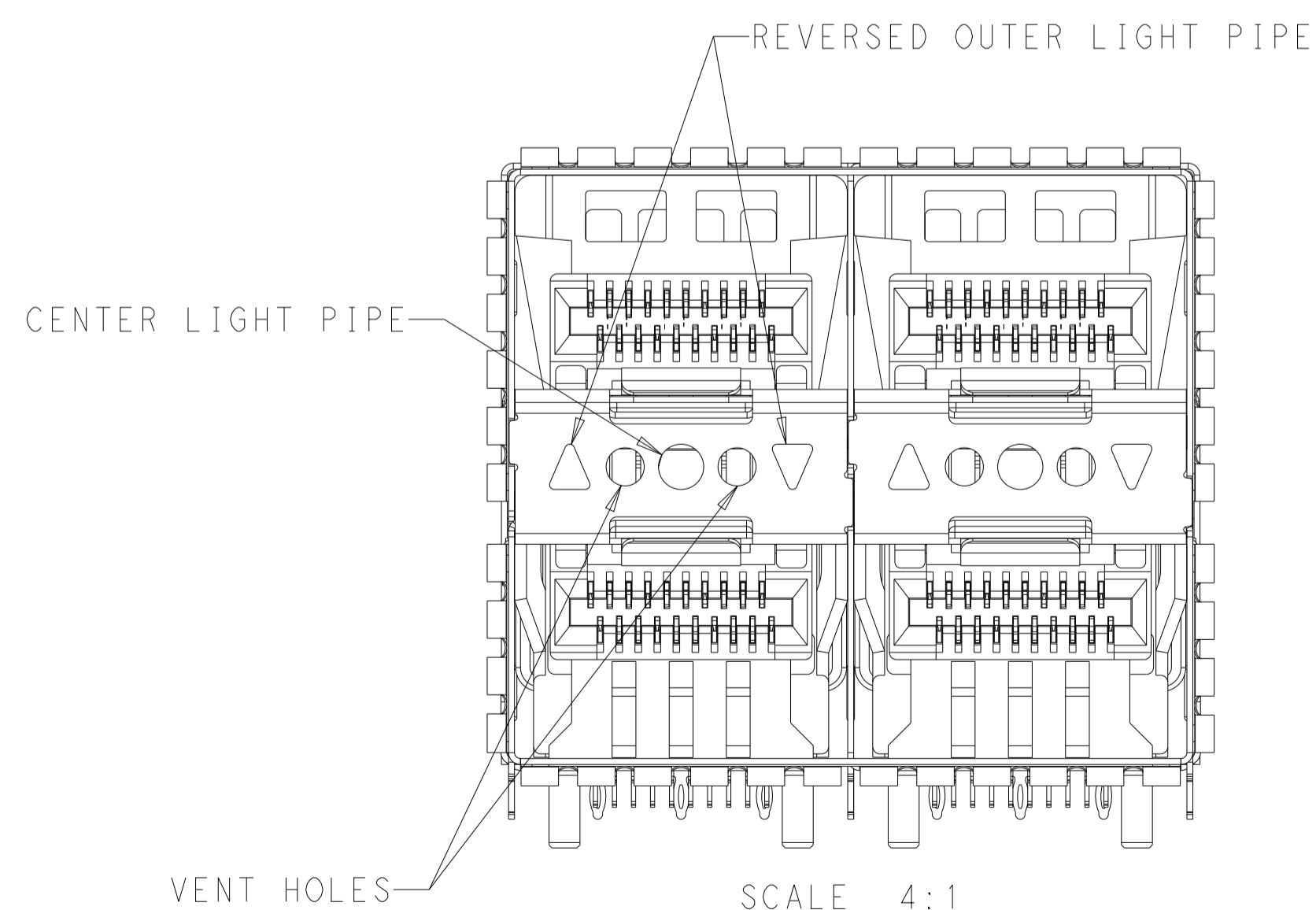
3-2343522-3, 4-2343522-3, 4-2343522-4, 5-2343522-3 AIR FLOW ENHANCED VERSION
 UNMARKED DIMENSION SAME AS 2343522-5



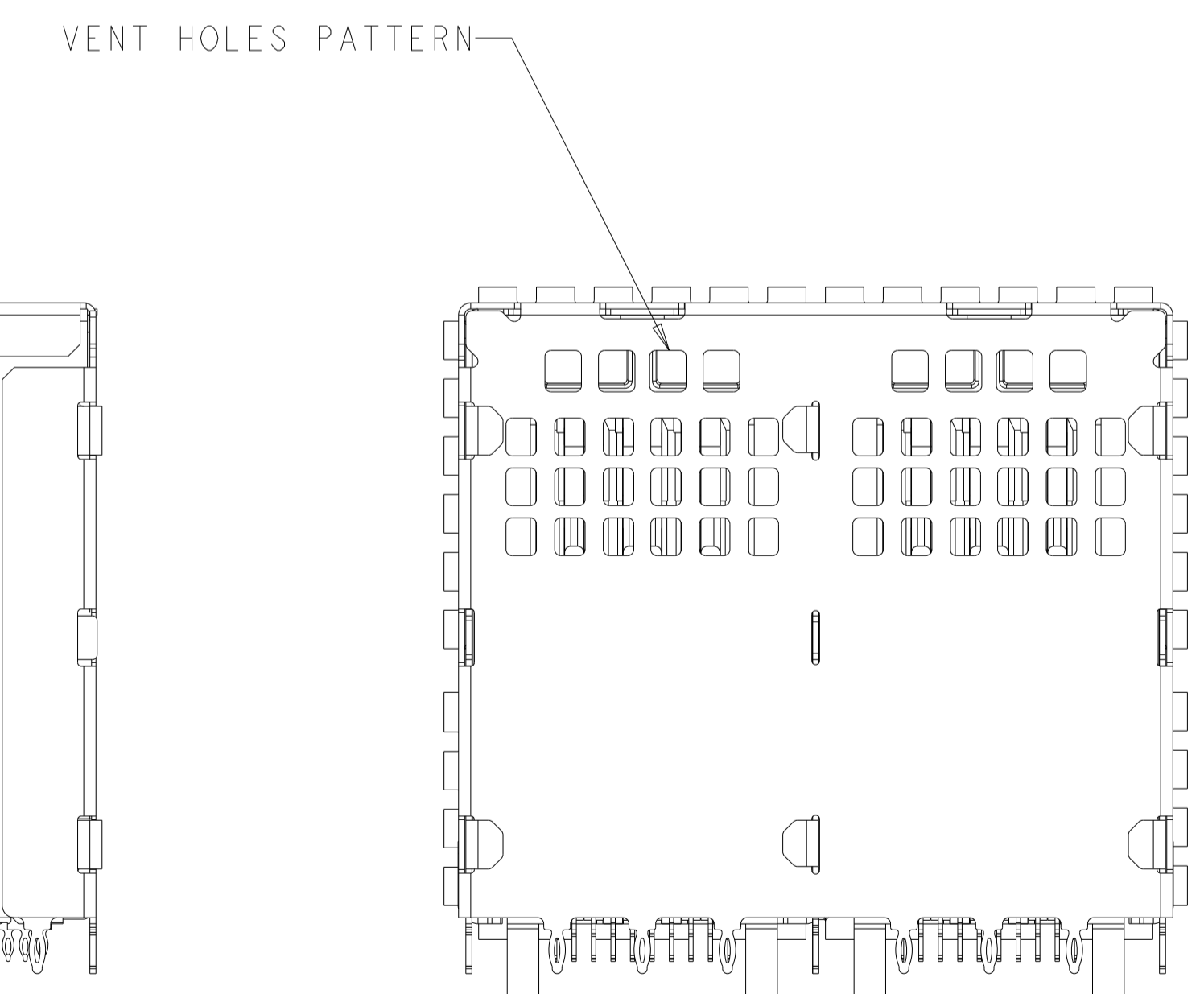
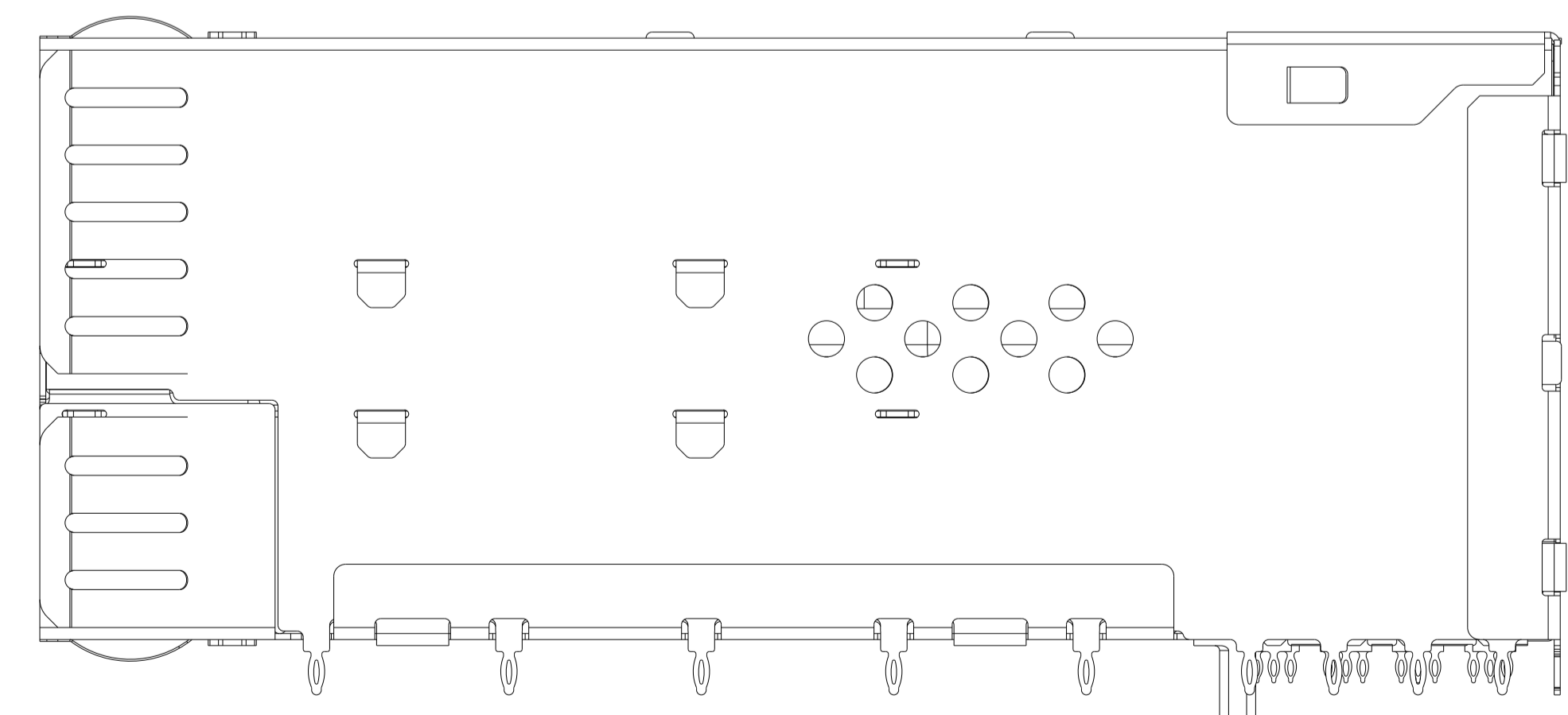
SCALE 4:1



3-2343522-4 AIR FLOW ENHANCED VERSION
 UNMARKED DIMENSION SAME AS 2343522-5

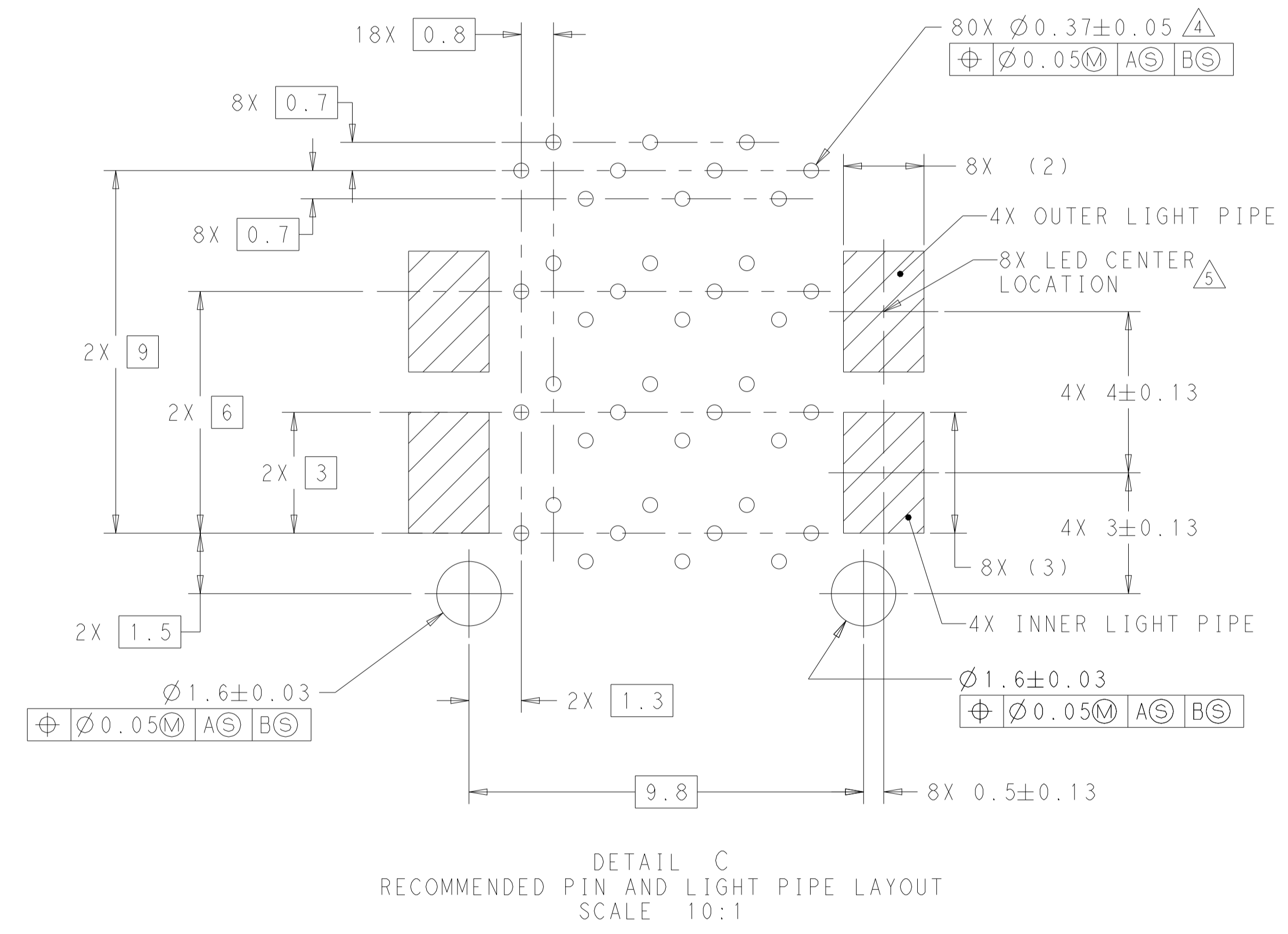
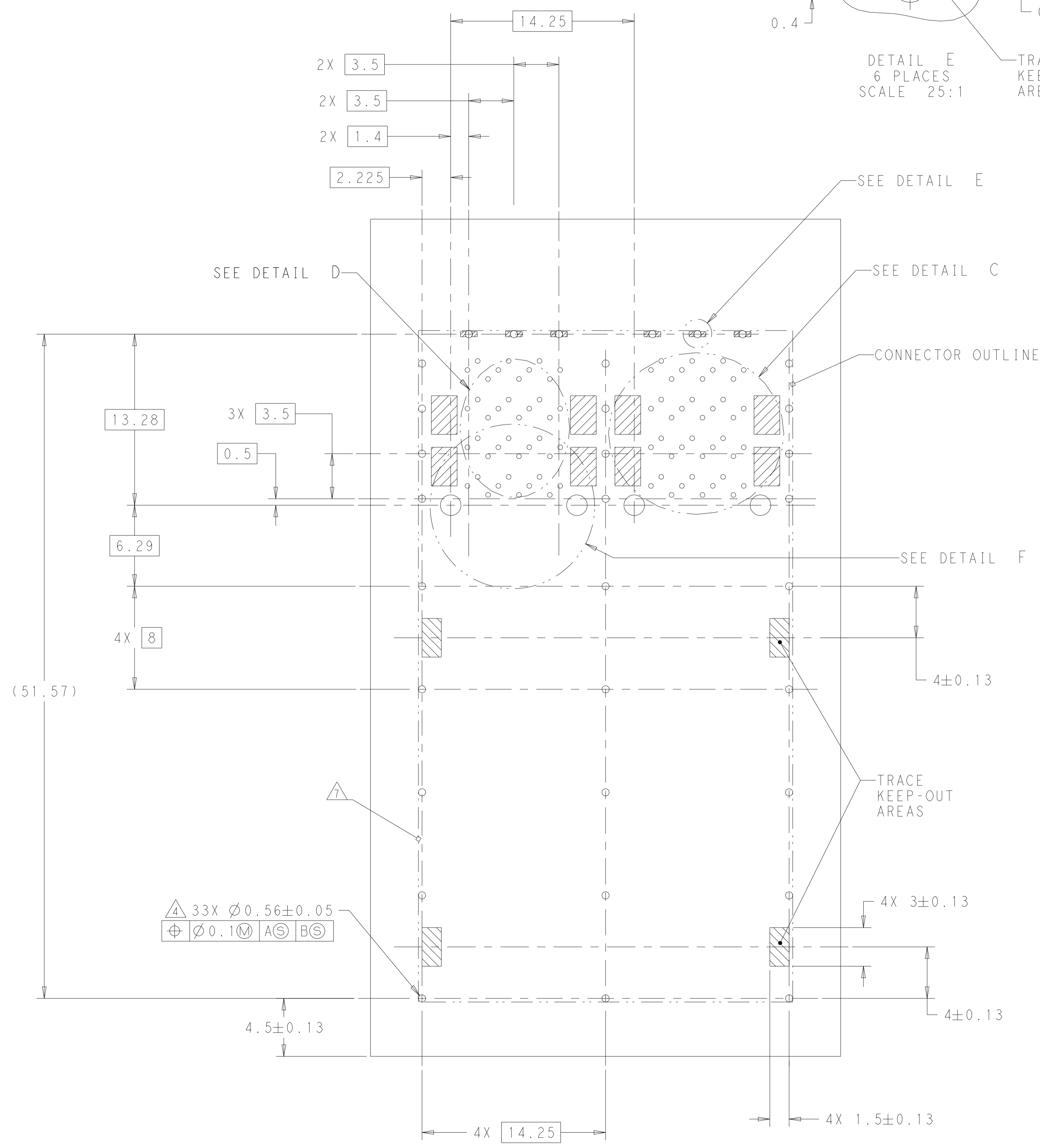
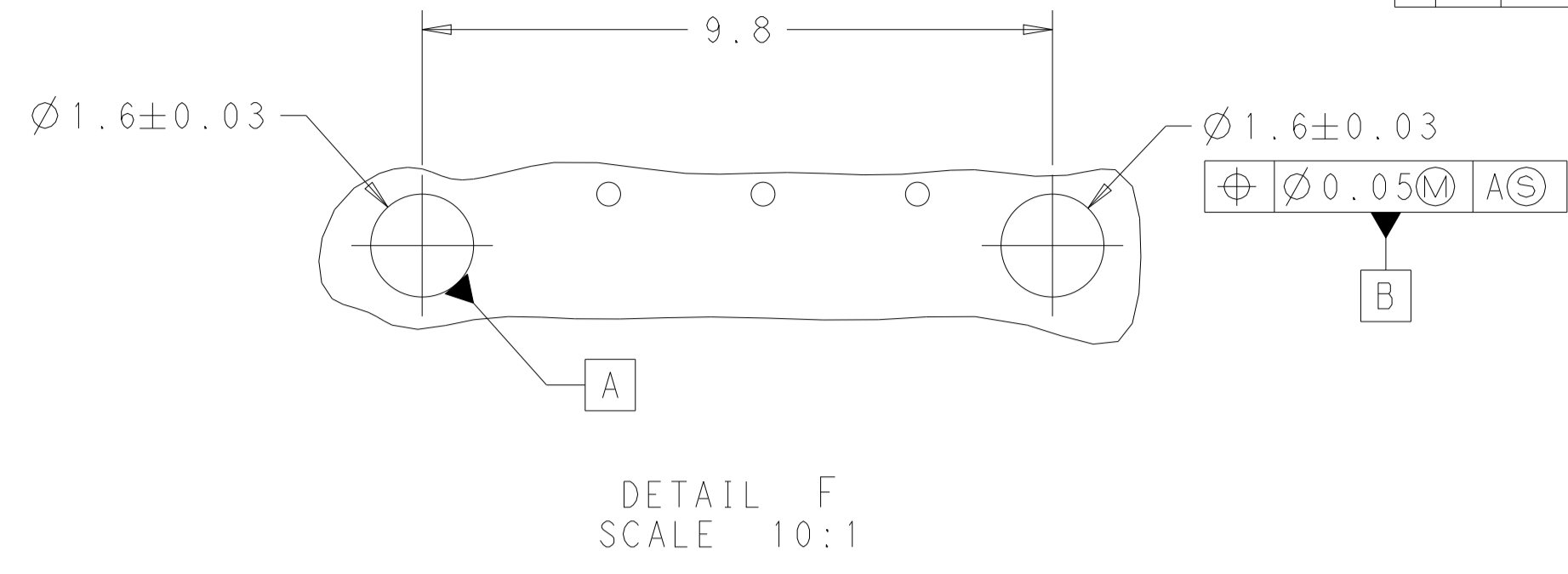
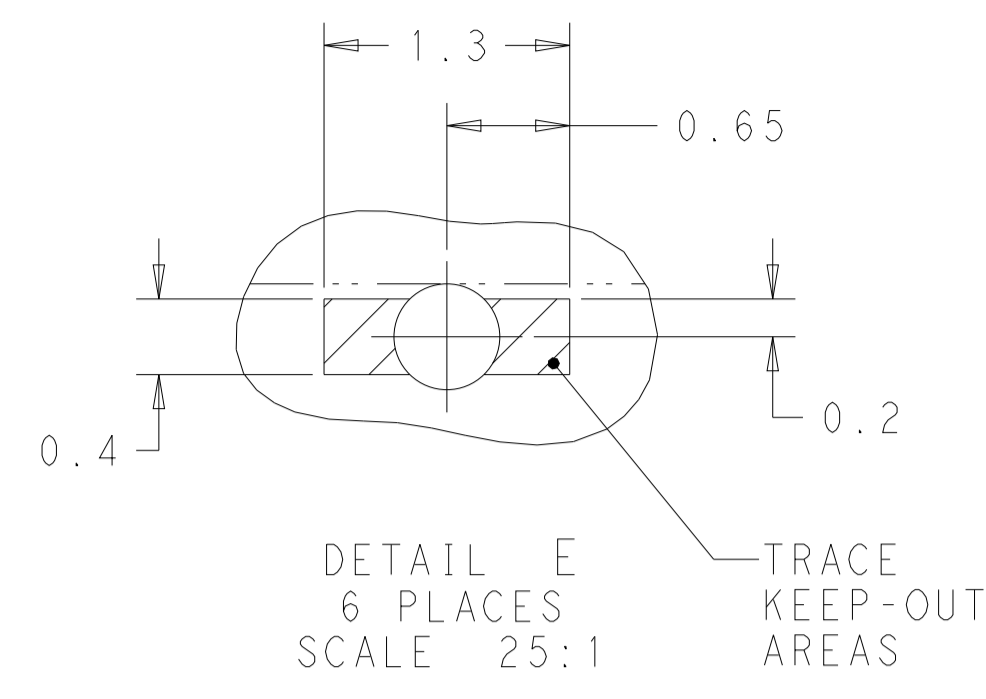


SCALE 4:1



THIS DRAWING IS A CONTROLLED DOCUMENT.		OWN: LEO LI 04SEP2018	TE Connectivity
DIMENSIONS: mm		CHK: SEAN HAN 04SEP2018	
TOLERANCES UNLESS OTHERWISE SPECIFIED: 0 PLC ±0.25 1 PLC ±0.25 2 PLC ±0.25 3 PLC ±0.25 4 PLC ±0.25 ANGLES ±° FINISH ±5°		APVD: SEAN HAN 04SEP2018	NAME: RECEPTACLE ASSEMBLY, 2X2, STACKED, SFP56
MATERIAL: SEE NOTES		PRODUCT SPEC: 108-2481	SIZE: A1
		APPLICATION SPEC: 114-13319	CAGE CODE: 00779
		WEIGHT: -	DRAWING NO: 2343522
		CUSTOMER DRAWING	SCALE: 4:1 SHEET 4 OF 6 REV: E2

LOC		DIST		REVISIONS			
GP	00	P	LYN	DESCRIPTION	DATE	OWN	APVD
		-	-	SEE SHEET 1	-	-	-



THIS DRAWING IS A CONTROLLED DOCUMENT.		OWN: LEO LI 04SEP2018	TE Connectivity
DIMENSIONS: mm		CHK: SEAN HAN 04SEP2018	
TOLERANCES UNLESS OTHERWISE SPECIFIED:		APVD: SEAN HAN 04SEP2018	NAME: RECEPTACLE ASSEMBLY, 2X2, STACKED, SFP56
0 PLC ±0.25	1 PLC ±0.25	2 PLC ±0.25	3 PLC ±0.25
4 PLC ±0.25	ANGLES ±°	FINISH ±5°	
MATERIAL: SEE NOTES	FINISH: SEE NOTES	WEIGHT: -	RESTRICTED TO: -
CUSTOMER DRAWING		SCALE: 4:1	SHEET 5 OF 6 REV: E2

LOC	DIST	REVISIONS			
GP	00	REV	DATE	BY	APPROV
-	-	SEE SHEET 1	-	-	-

T19 ○ T16 ○ T13 ○
 T20 ○ T17 ○ T14 ○ T11 ○
 T18 ○ T15 ○ T12 ○

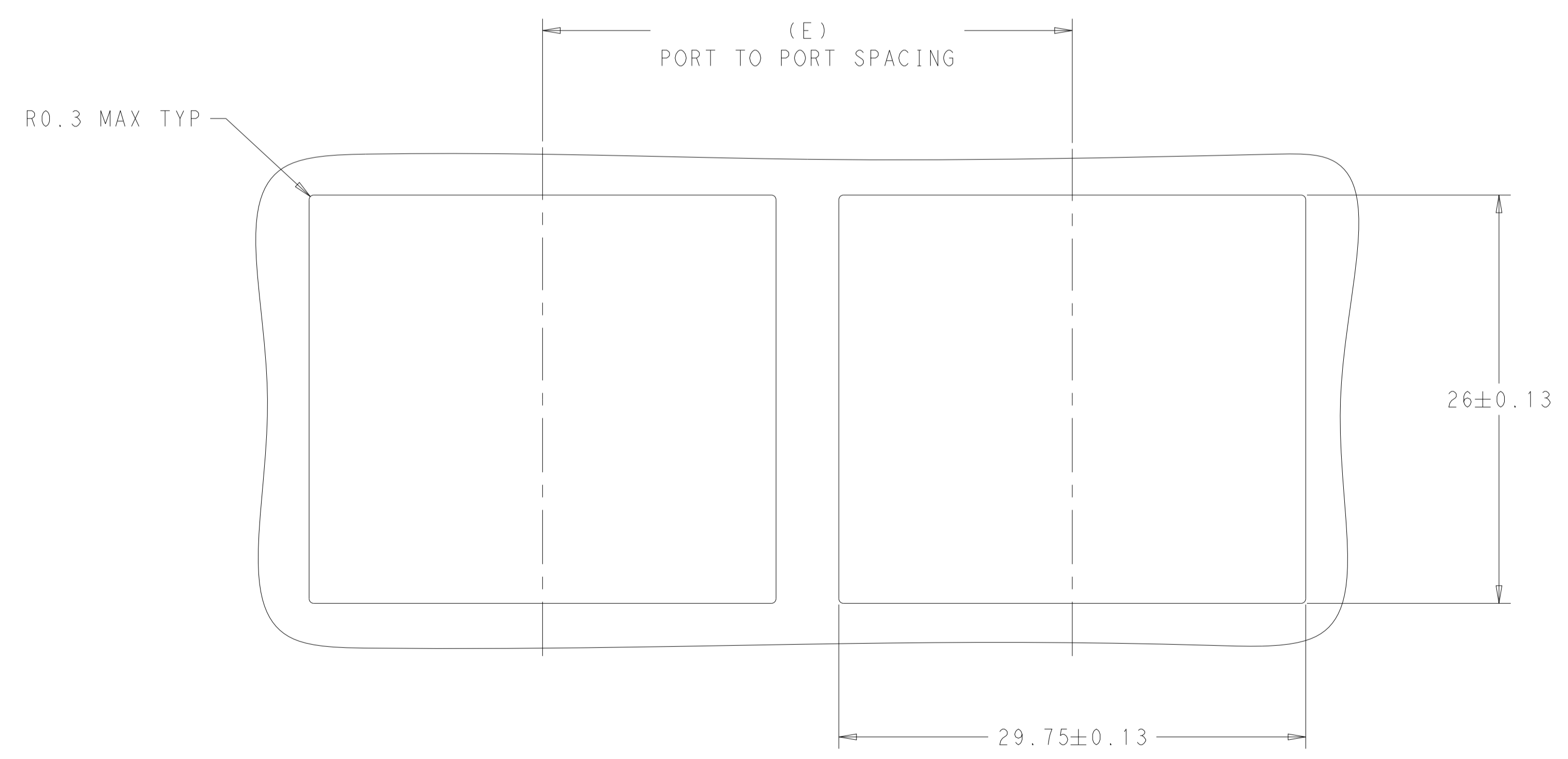
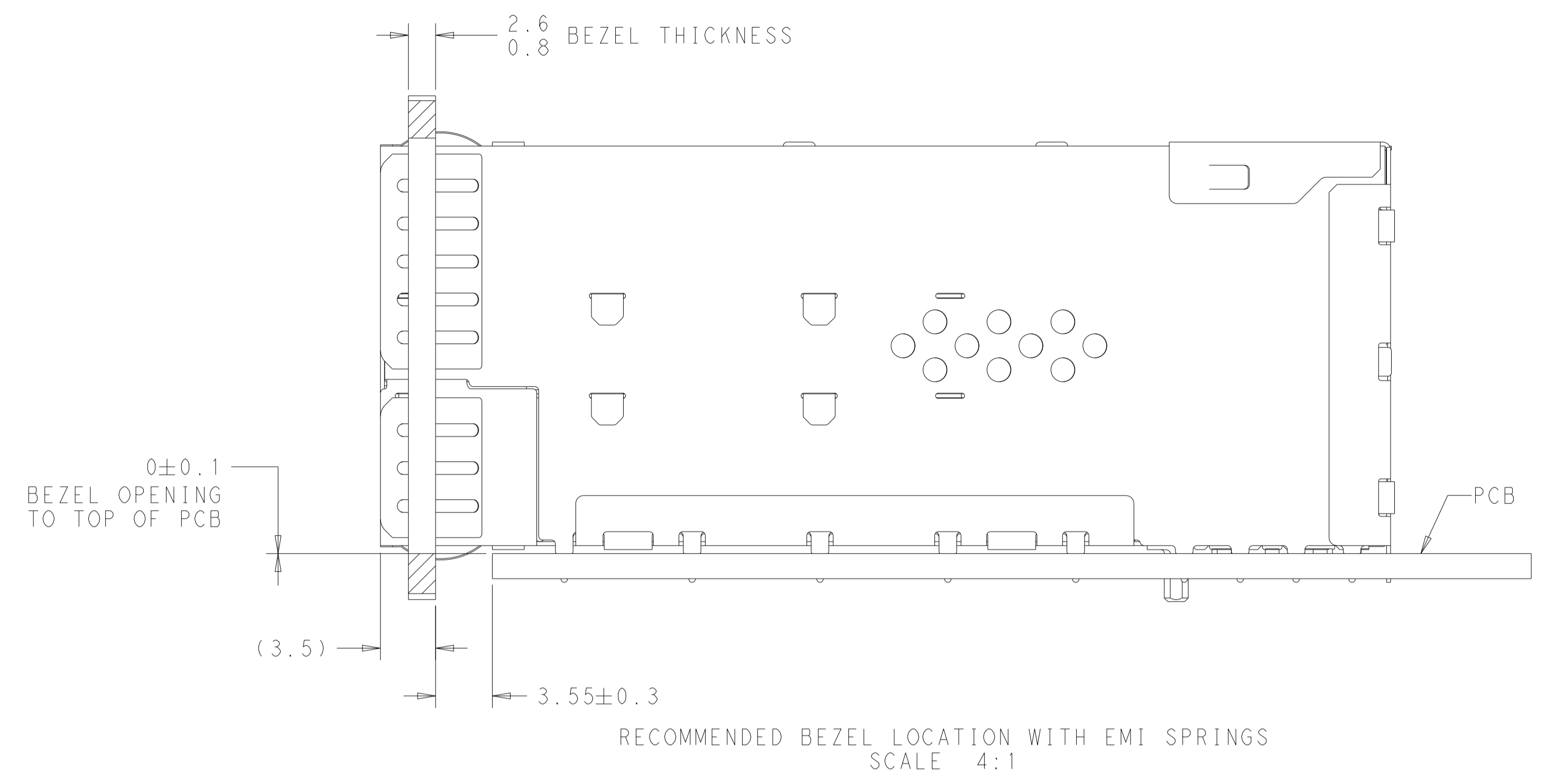
T2 ○ T5 ○ T8 ○
 T1 ○ T4 ○ T7 ○ T10 ○
 T3 ○ T6 ○ T9 ○

L9 ○ L6 ○ L3 ○
 L10 ○ L7 ○ L4 ○ L1 ○
 L8 ○ L5 ○ L2 ○

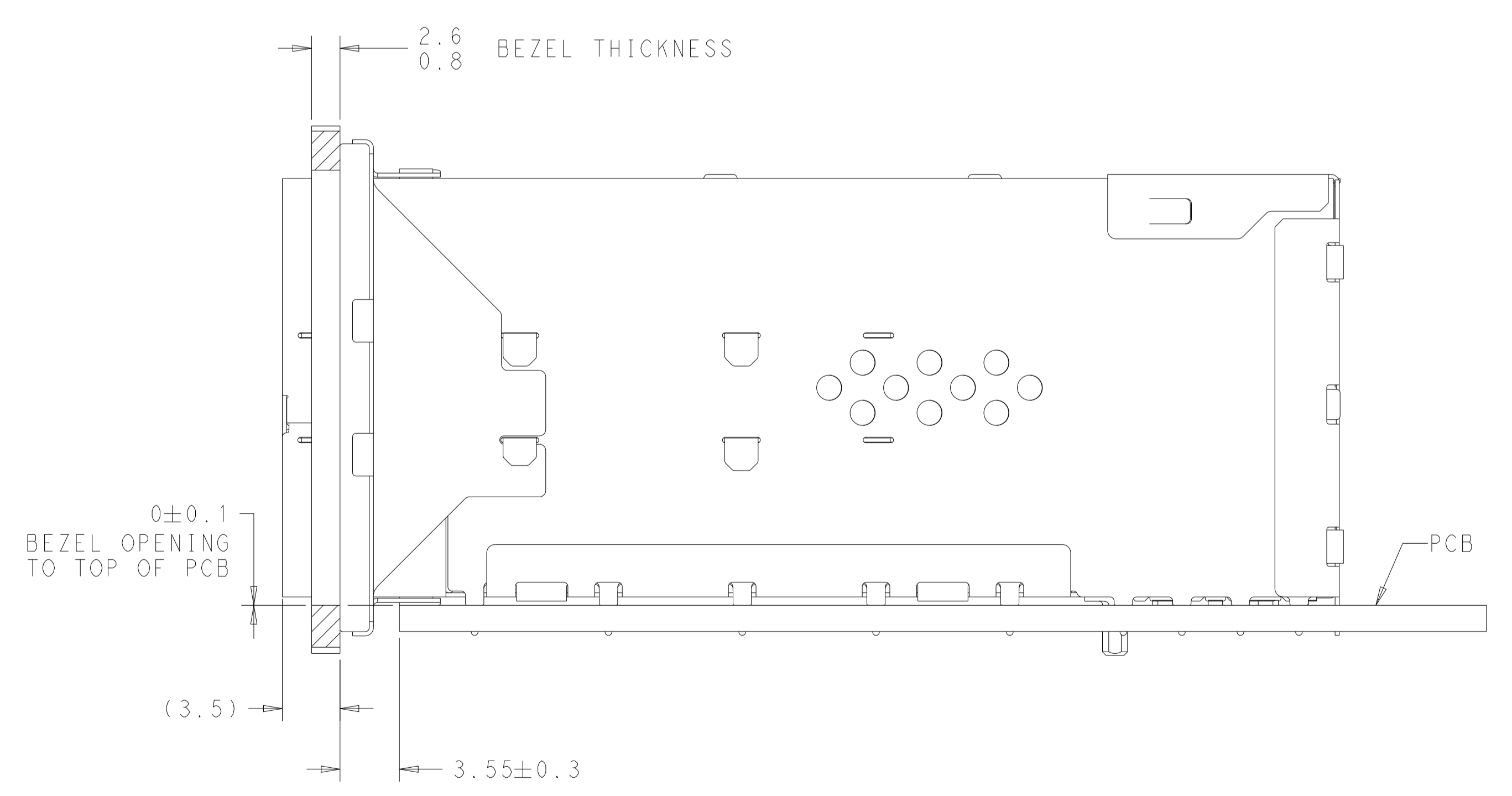
L12 ○ L15 ○ L18 ○
 L11 ○ L14 ○ L17 ○ L20 ○
 L13 ○ L16 ○ L19 ○

PIN MAP LEGEND	
PIN NUMBER	FUNCTION
L1/T1	VEET
L2/T2	TX-FAULT
L3/T3	TX-DISABLE
L4/T4	SDA
L5/T5	SCL
L6/T6	MOD_ABS
L7/T7	RSO
L8/T8	RX_LOS
L9/T9	RS1
L10/T10	VEER
L11/T11	VEER
L12/T12	RD-
L13/T13	RD+
L14/T14	VEER
L15/T15	VCCR
L16/T16	VCCT
L17/T17	VEET
L18/T18	TD+
L19/T19	TD-
L20/T20	VEET

DETAIL D
 PIN MAP
 2 PLACES
 SCALE 15:1



RECOMMENDED BEZEL CUT-OUT DETAIL
 SCALE 4:1



THIS DRAWING IS A CONTROLLED DOCUMENT.		OWN: LEO LI 04SEP2018	TE Connectivity
DIMENSIONS: mm		CHK: SEAN HAN 04SEP2018	
TOLERANCES UNLESS OTHERWISE SPECIFIED:		APP'D: SEAN HAN 04SEP2018	
0 PLC ±0.25 1 PLC ±0.25 2 PLC ±0.25 3 PLC ±0.25 4 PLC ±0.25 ANGLES ±° FINISH ±μm		NAME: RECEPTACLE ASSEMBLY, 2X2, STACKED, SFP56	
MATERIAL: SEE NOTES	FINISH: SEE NOTES	APPLICATION SPEC: 108-2481	SIZE: A1
CUSTOMER DRAWING		114-13319	RESTRICTED TO: -
SCALE: 4:1		WEIGHT: -	SHEET 6 OF 6
REV: E2		CAGE CODE: 2343522	REV: E2

X-ON Electronics

Largest Supplier of Electrical and Electronic Components

Click to view similar products for [I/O Connectors](#) category:

Click to view products by [TE Connectivity](#) manufacturer:

Other Similar products are found below :

[571763P](#) [58098-0628](#) [72.250.1628.2](#) [72.250.2428.2](#) [74720-0505](#) [76.350.0729.0](#) [76871-1403](#) [FCN-244F080-G/1](#) [FCN-260A9920](#) [PCR-E36PM](#) [PCS-XE26MA+](#) [G38A71314B](#) [1571250010](#) [157-22500-3](#) [MS3471L14-19P L/C](#) [172501-4002](#) [172501-6002](#) [FCN-260C008-A/L0](#) [FCN-260C024-AL0](#) [FCN-261Z008](#) [2000314-1](#) [200331-1](#) [PCR-E36FC+](#) [PCS-E28FS+](#) [PCS-XE26SLFD+](#) [PCS-XE26SLFDT+](#) [G730VID08BDC24](#) [U90B2054081210](#) [38113800006](#) [DP3AR020WQ1R200](#) [Z4.102.0680.0](#) [500-1040](#) [500-1052](#) [500-1054](#) [ZP-4008-66L](#) [0709821002](#) [DX40-20P\(55\)](#) [5554841-1](#) [MS3474W18-8P-LC*](#) [U90B3054061110](#) [U65-E04-4020](#) [ZPF000000000097891](#) [747360449](#) [10099439-003C-TRLF](#) [10137239-0021LF](#) [E9320-001-01](#) [10137239-0011LF](#) [70289-001LF](#) [70.060.1028.0](#) [109029-ZZ](#)