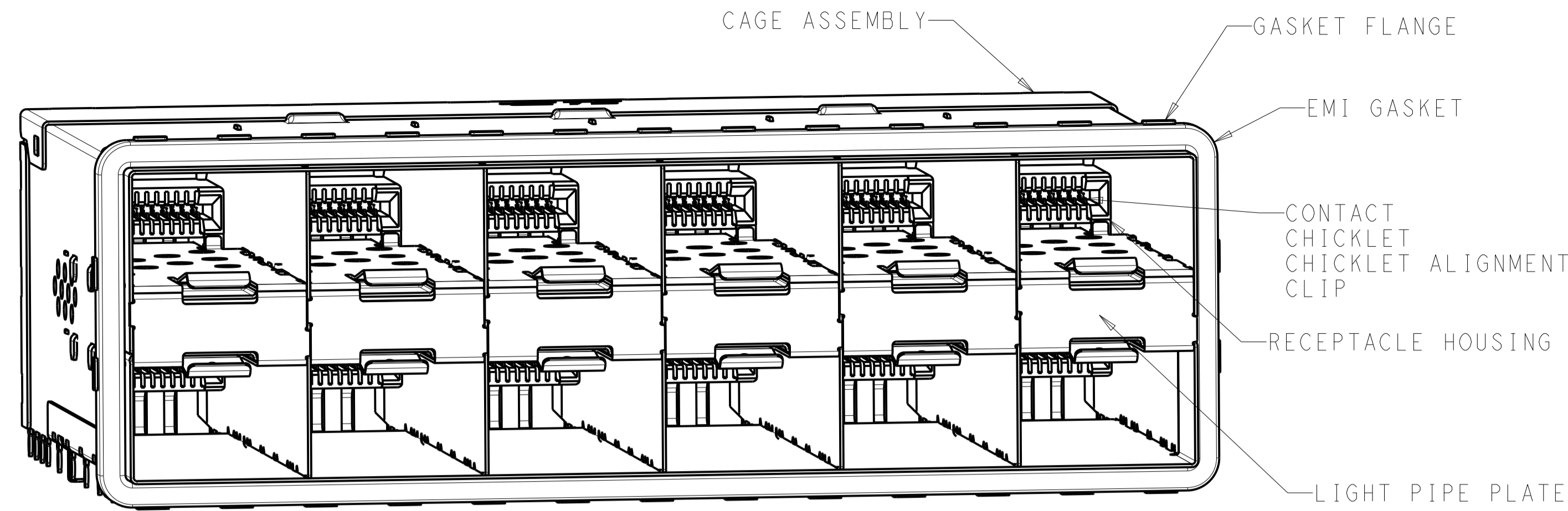


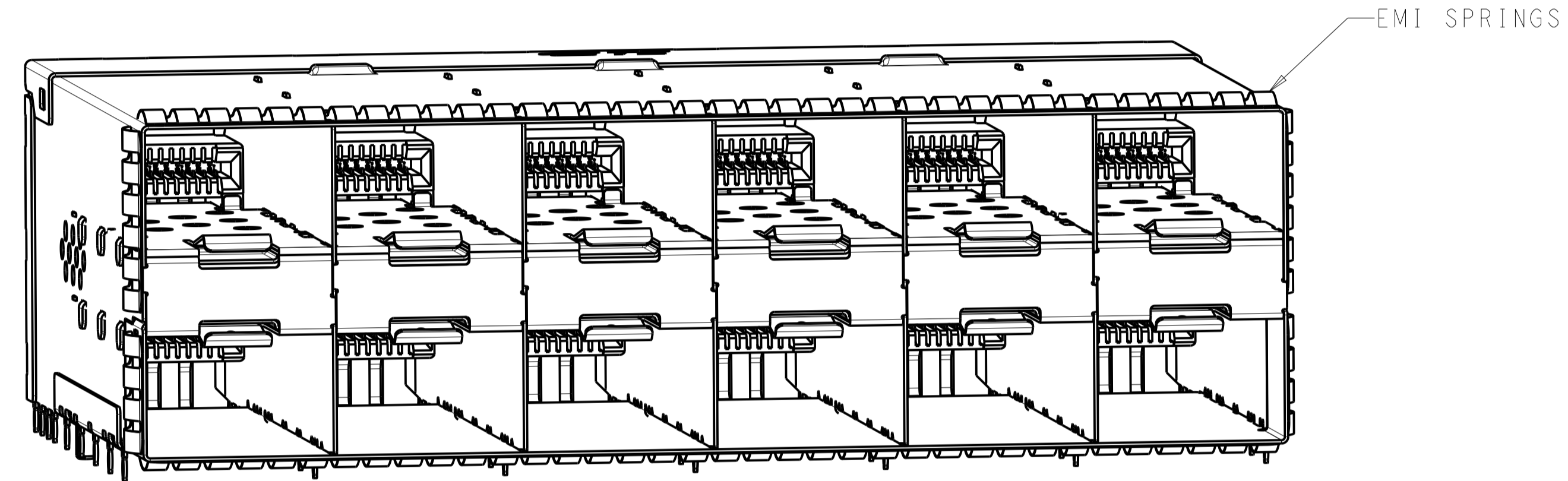
LOC	DIST	REVISIONS			
GP	00	REV	DATE	BY	CHK
A		PRODUCTION RELEASE	05JUN2019	JW	SH
B		REVISE PER ECN-21-103317	02JUL2020	JY	SH



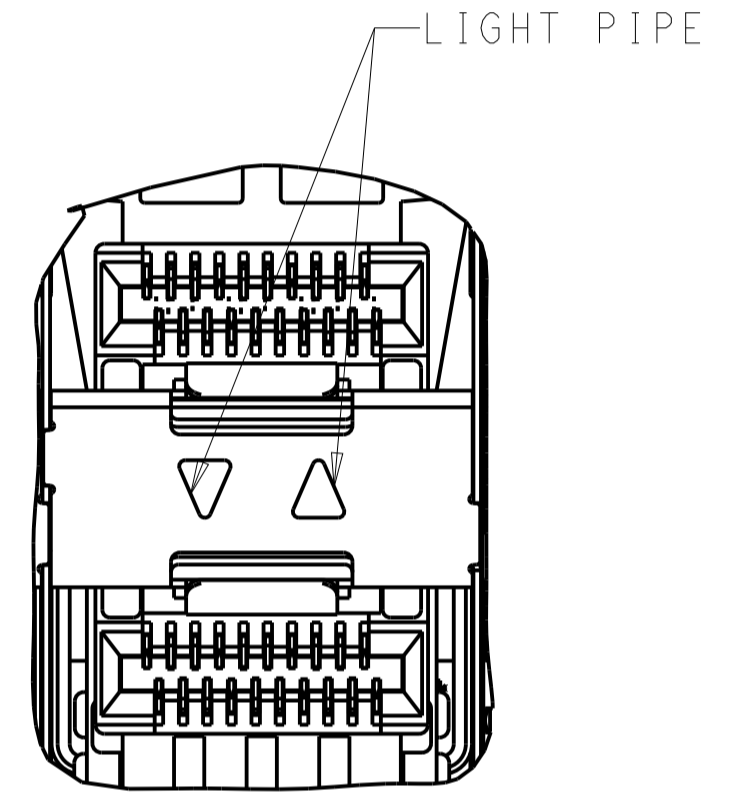
2347721-1
SCALE 3:1

- MATERIALS:**
 CAGE ASSEMBLY - NICKEL-SILVER ALLOY PER ASTM B 122
 CONNECTOR HOUSING - LCP, BLACK, UL 94V-0 RATED
 CHICKLET - LCP, BLACK, UL 94V-0 RATED
 CHICKLET ALIGNMENT CLIP - LCP, BLACK, UL 94V-0 RATED
 CONTACT - COPPER ALLOY
 EMI GASKET - ELASTOMERIC
 GASKET FLANGE - STAINLESS STEEL
 EMI SPRINGS - PHOSPHOR BRONZE PER ASTM B 103,
 0.8µm MIN TIN PER ASTM B 545
 LIGHT PIPE - POLYCARBONATE
 LIGHT PIPE PLATE - STAINLESS STEEL
- CONTACT FINISH:**
 CONFORMS TO THE REQUIREMENTS OF PRODUCT SPECIFICATION 108-2481, BASED ON EIA/ECA-364-1000.01A, (CONTROLLED ENVIRONMENT APPLICATIONS) ON MATING INTERFACE, TIN ON NEEDLE EYE
- PCB MINIMUM THICKNESS = 1.5mm**

- ⚠ FOR HOLE SIZE AND PLATINGS, SEE APPLICATION SPECIFICATION 114-13319
- ⚠ LIGHT PIPE PAD LAYOUT IS FOR 0805 LOW PROFILE LED PACKAGE WITH A HEIGHT OF 0.8mm
- ⚠ DIMENSIONS APPLY FOR EMI SPRINGS ONLY
- ⚠ THE ENTIRE AREA OF THE CONNECTOR FOOTPRINT, INDICATED BY THE DASHED LINE, TO BE CONSIDERED THE KEEP-OUT AREA FOR COMPONENTS AND SIGNAL TRACES, TOP SIDE ONLY, TOP SIDE TRACES ALLOWED WITHIN CONNECTOR HOLE PATTERN

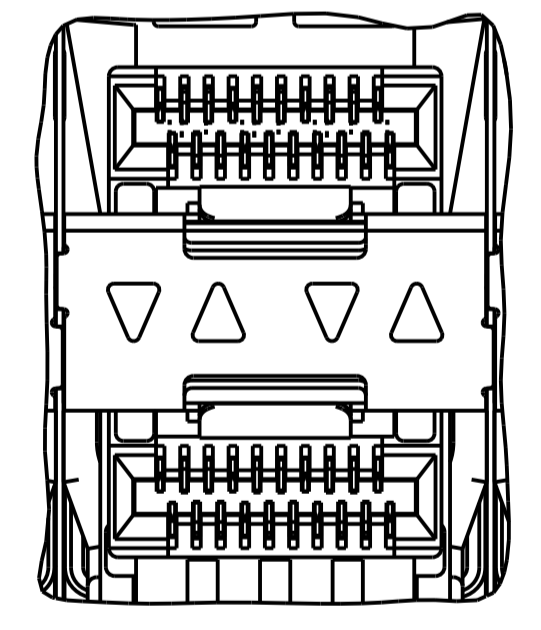


2347721-5
SCALE 3:1

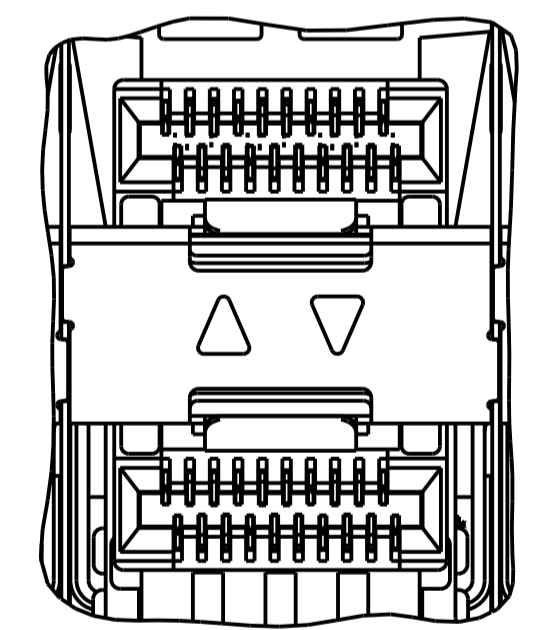


REVERSED INNER LIGHT PIPES
2-2347721-1, 1-2347721-3
SCALE 4:1

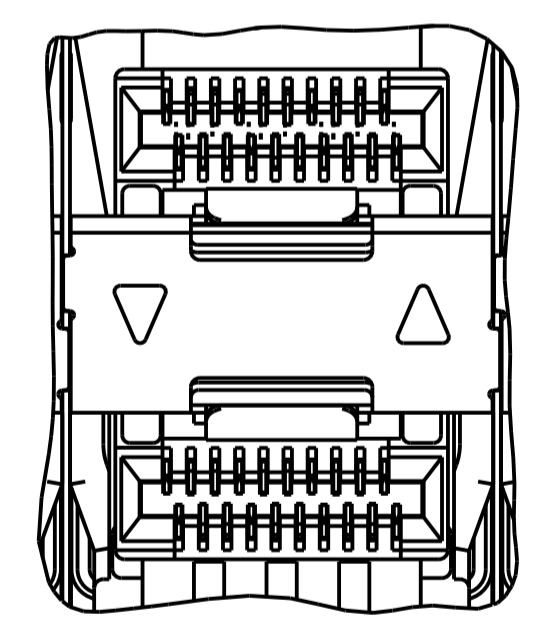
88	EMI SPRING AIRFLOW ENHANCE TYPE	REVERSED OUTER	3-2347721-3
88	EMI SPRING AIRFLOW ENHANCE TYPE	NONE	3-2347721-1
90.75	EMI GASKET AIRFLOW ENHANCE TYPE	NONE	3-2347721-0
88	EMI SPRINGS	REVERSED INNER	2-2347721-1
		REVERSED OUTER	2-2347721-0
		CENTER/REVERSED OUTER	1-2347721-9
90.75	EMI GASKET	REVERSED OUTER	1-2347721-8
		CENTER/REVERSED OUTER	1-2347721-7
88	EMI SPRINGS WITH NICKEL PLATING ONLY	REVERSED INNER	1-2347721-3
		OUTER	1-2347721-2
		INNER	1-2347721-1
		INNER/OUTER	1-2347721-0
		NONE	2347721-9
88	EMI SPRINGS	OUTER	2347721-8
		INNER	2347721-7
		INNER/OUTER	2347721-6
		NONE	2347721-5
90.75	EMI GASKET	OUTER	2347721-4
		INNER	2347721-3
		INNER/OUTER	2347721-2
(E)	CAGE TYPE	OUTER	2347721-4
		INNER	2347721-3
		INNER/OUTER	2347721-2
		NONE	2347721-1
		LIGHT PIPE CONFIGURATION	PART NUMBER



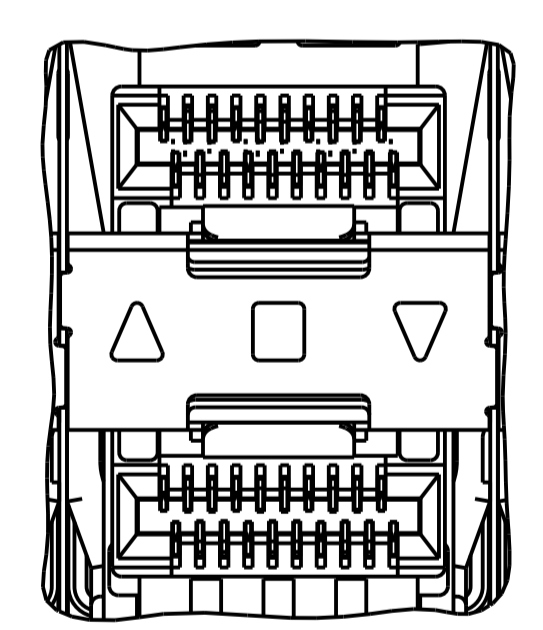
INNER/OUTER LIGHT PIPES
2347721-2, 2347721-6
SCALE 4:1



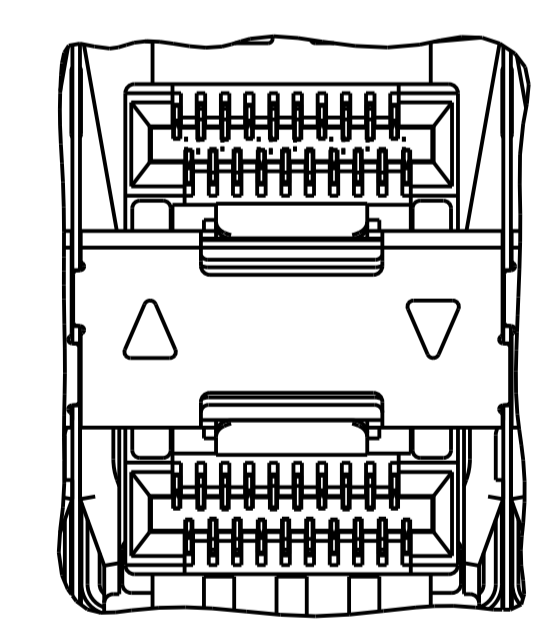
INNER LIGHT PIPES
2347721-3, 2347721-7
SCALE 4:1



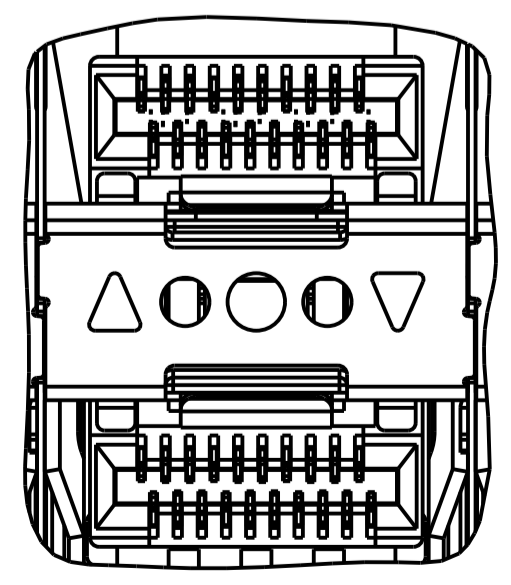
OUTER LIGHT PIPES
2347721-4, 2347721-8
SCALE 4:1



CENTER/REVERSED OUTER
1-2347721-7, 1-2347721-9
SCALE 4:1



REVERSED OUTER LIGHT PIPE
1-2347721-8, 2-2347721-0
SCALE 4:1



REVERSED OUTER LIGHT PIPE
3-2347721-3
SCALE 4:1

THIS DRAWING IS A CONTROLLED DOCUMENT.

DIMENSIONS:	TOLERANCES UNLESS OTHERWISE SPECIFIED:	OWN	J. WANG	26FEB2019
mm	0 PLC ±0.25	CHK	S. HAN	26FEB2019
	1 PLC ±0.25	APVD	S. HAN	26FEB2019
	2 PLC ±0.25	PRODUCT SPEC		
	3 PLC ±0.25	108-2481		
	4 PLC ±0.25	APPLICATION SPEC		
	ANGLES ±°	114-13319		
MATERIAL	FINISH	WEIGHT		
SEE NOTES	SEE NOTES			

STE TE Connectivity

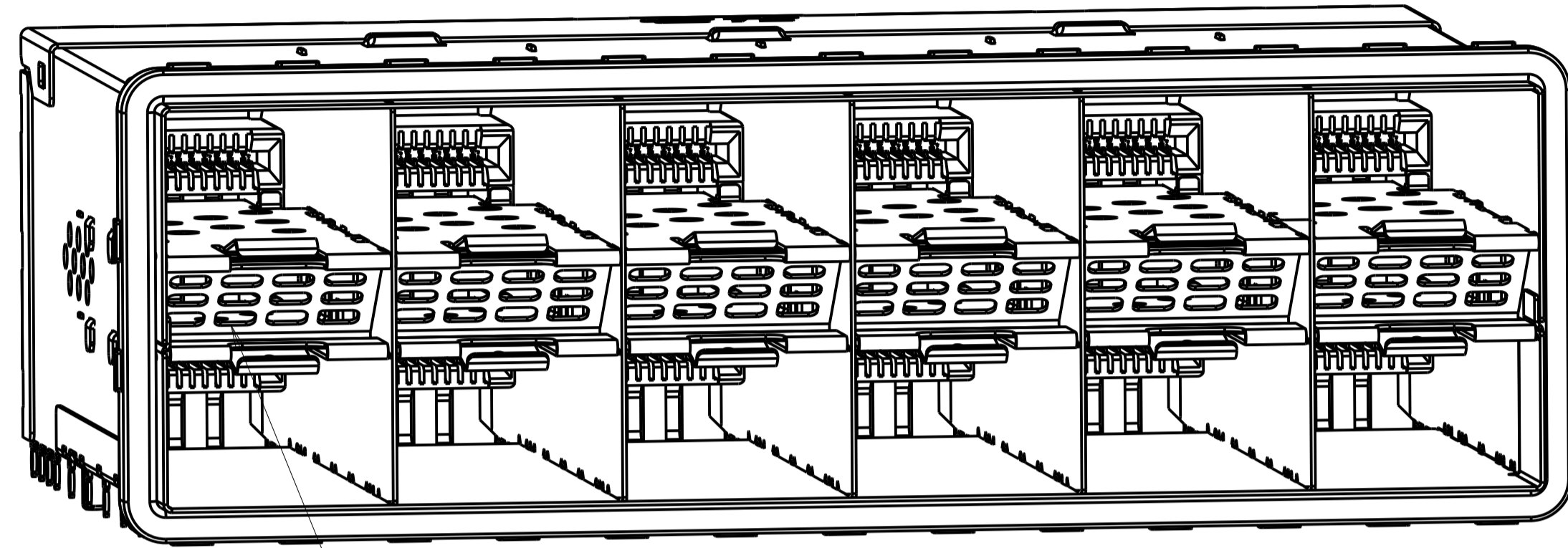
NAME: RECEPTACLE ASSEMBLY, 2X6, STACKED, SFP56

SIZE: CAGE CODE DRAWING NO. RESTRICTED TO

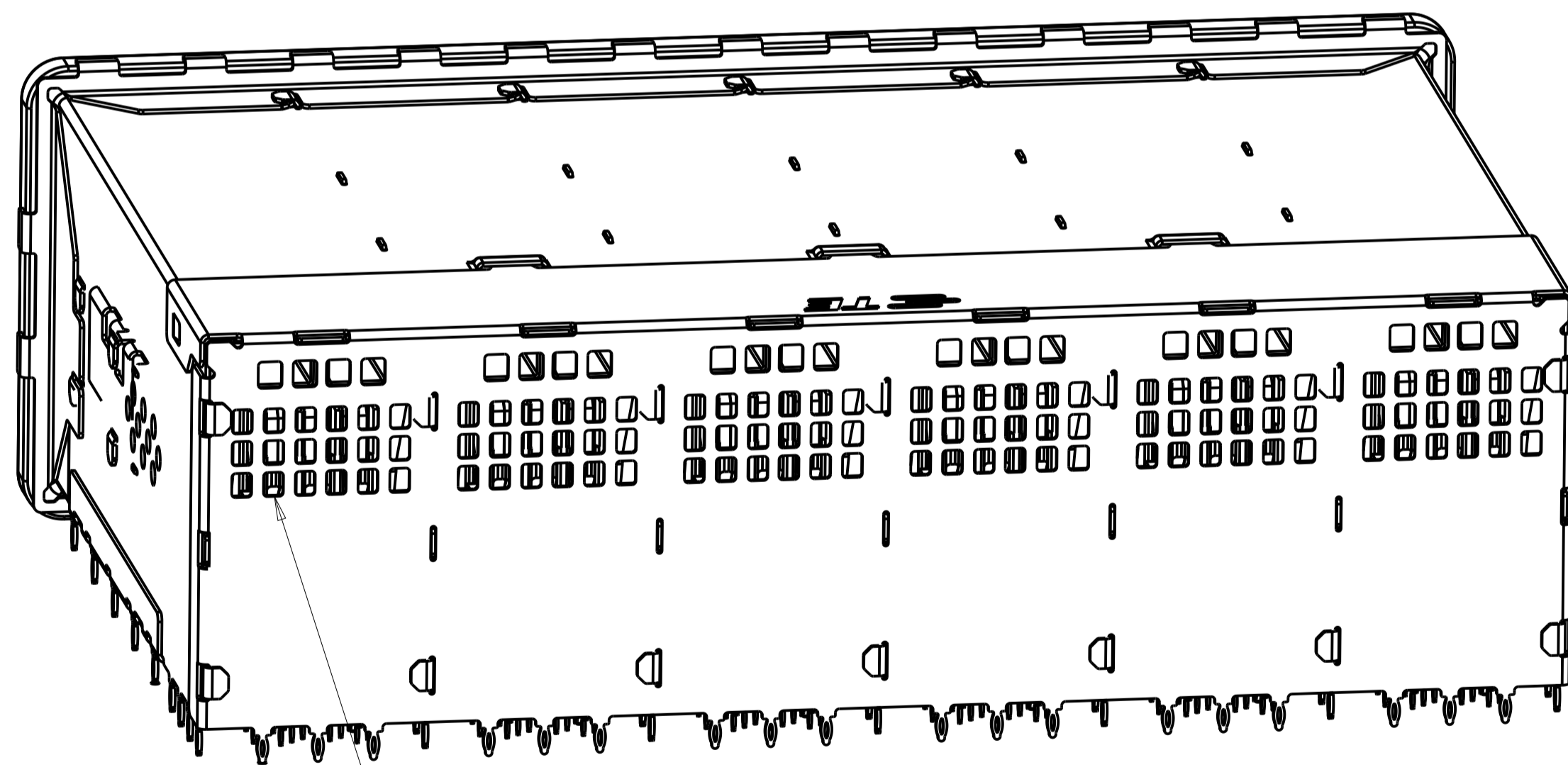
A100779C=2347721

CUSTOMER DRAWING SCALE: 1:1 SHEET 1 OF 7 REV B

AIRFOLW ENHANCE TYPE

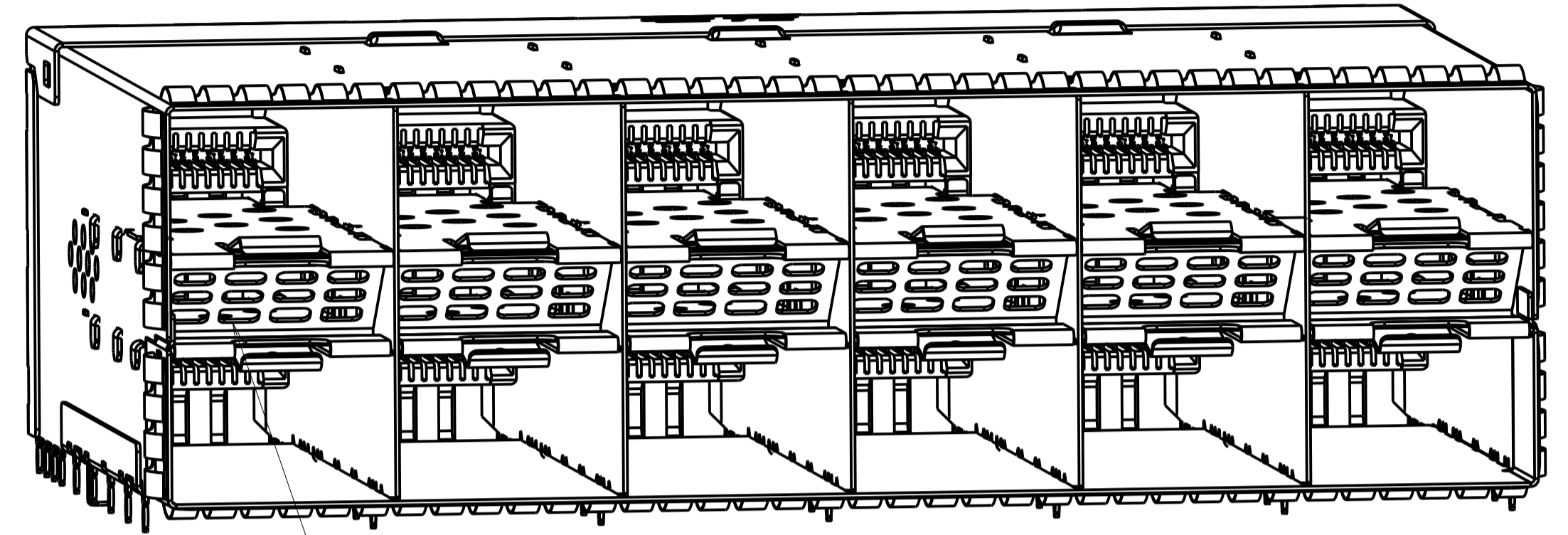


AIR VENTS

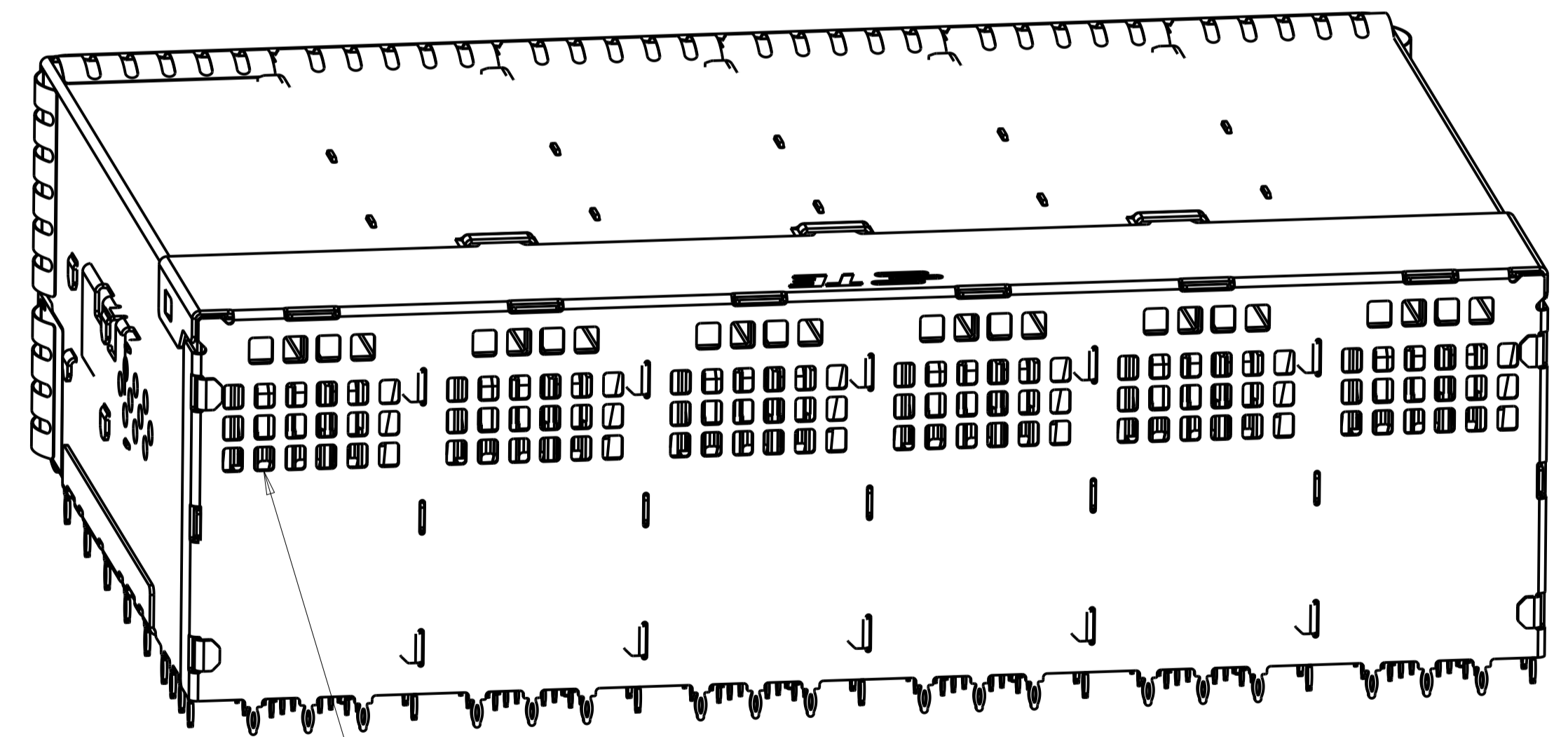


AIR VENTS

3-2347721-0
EMI GASKET TYPE



AIR VENTS



AIR VENTS

3-2347721-1
EMI SPRING TYPE

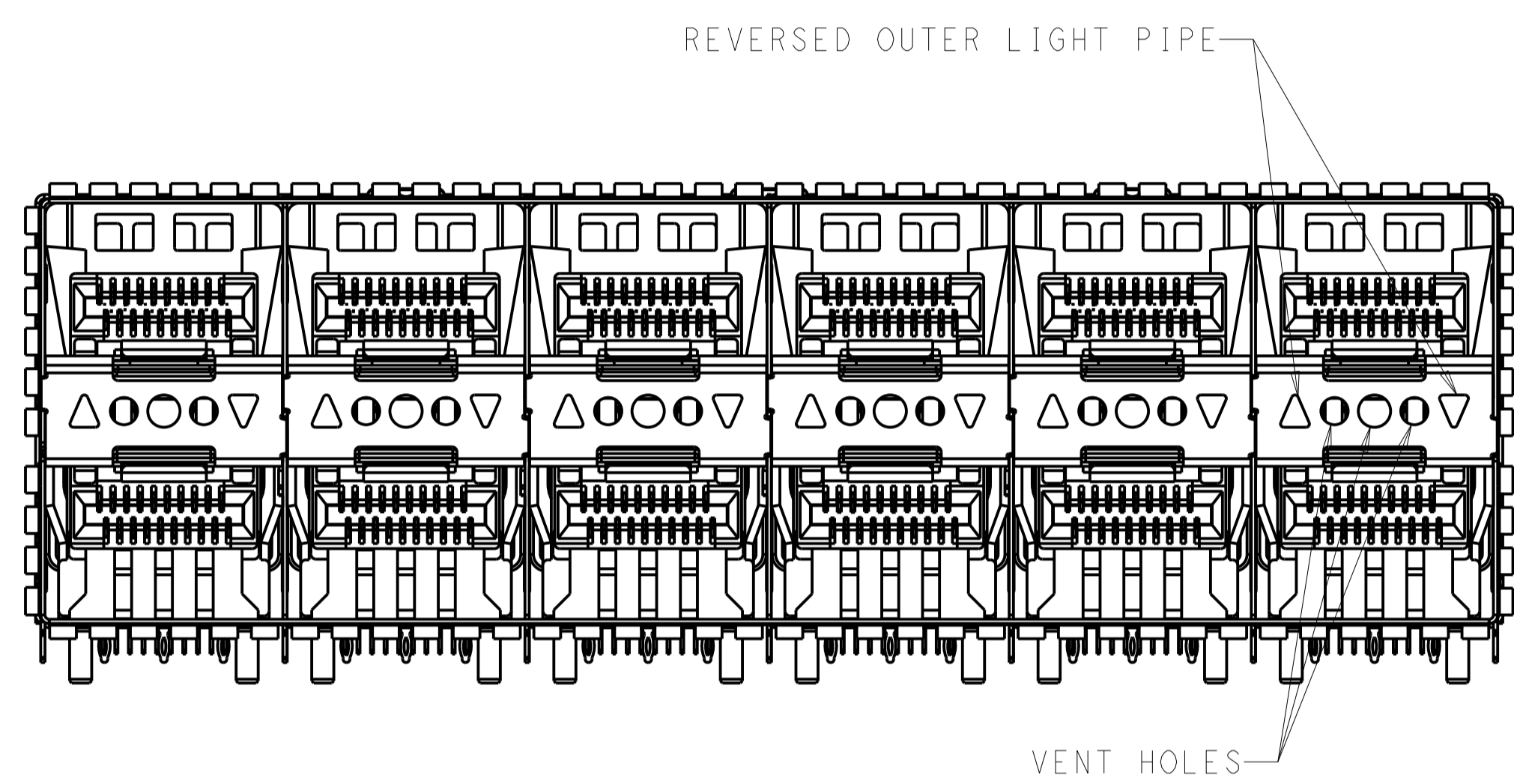
LOC	DIST	REVISIONS			
GP	00	REV	DATE	BY	APPV
		1	SEE SHEET 1		

THIS DRAWING IS A CONTROLLED DOCUMENT.		OWN: J. WANG 26FEB2019	
DIMENSIONS: mm		CHK: S. HAN 26FEB2019	
TOLERANCES UNLESS OTHERWISE SPECIFIED:		APVD: S. HAN 26FEB2019	NAME: RECEPTACLE ASSEMBLY, 2X6, STACKED, SFP56
0 PLC ±0.25	1 PLC ±0.25	PRODUCT SPEC 108-2481	SIZE: A1
2 PLC ±0.25	3 PLC ±0.25	APPLICATION SPEC 114-13319	CAGE CODE: 00779
4 PLC ±0.25	ANGLES ±°	WEIGHT	DRAWING NO: 2347721
MATERIAL: SEE NOTES	FINISH: SEE NOTES	CUSTOMER DRAWING	SCALE: 1:1
		SHEET 2 OF 7	
		REV B	

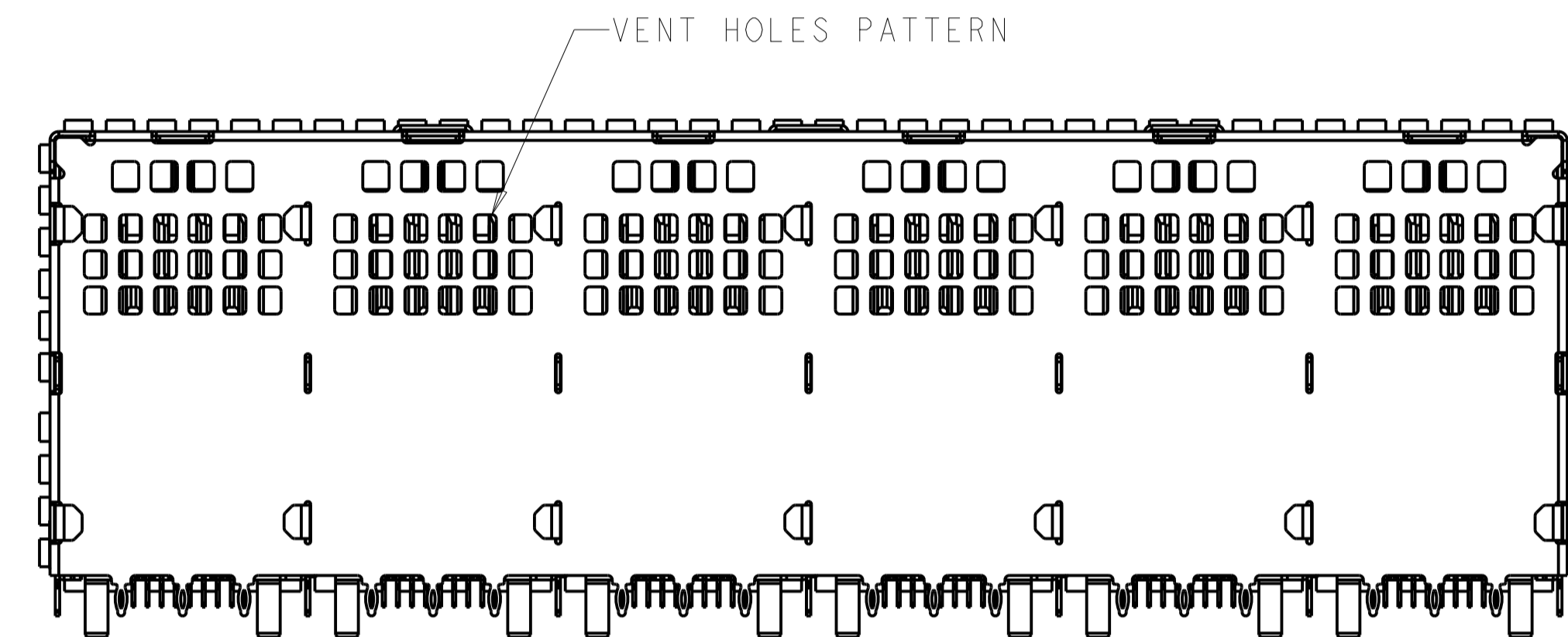
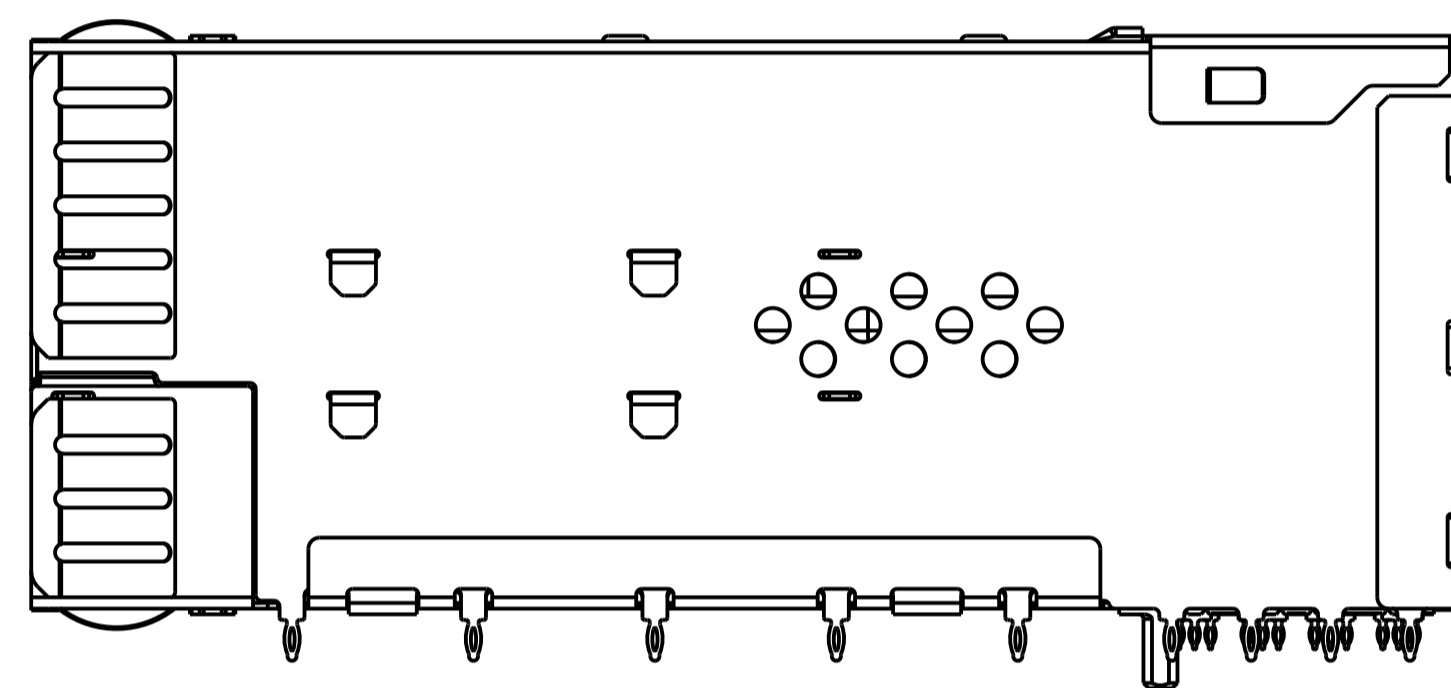
LOC		DIST		REVISIONS			
GP	00	P	LTN	DESCRIPTION	DATE	DWN	APVD
		-		SEE SHEET 1			

3-2347721-3 AIR FLOW ENHANCED VERSION

UNMARKED DIMENSION SAME AS 2347721-5

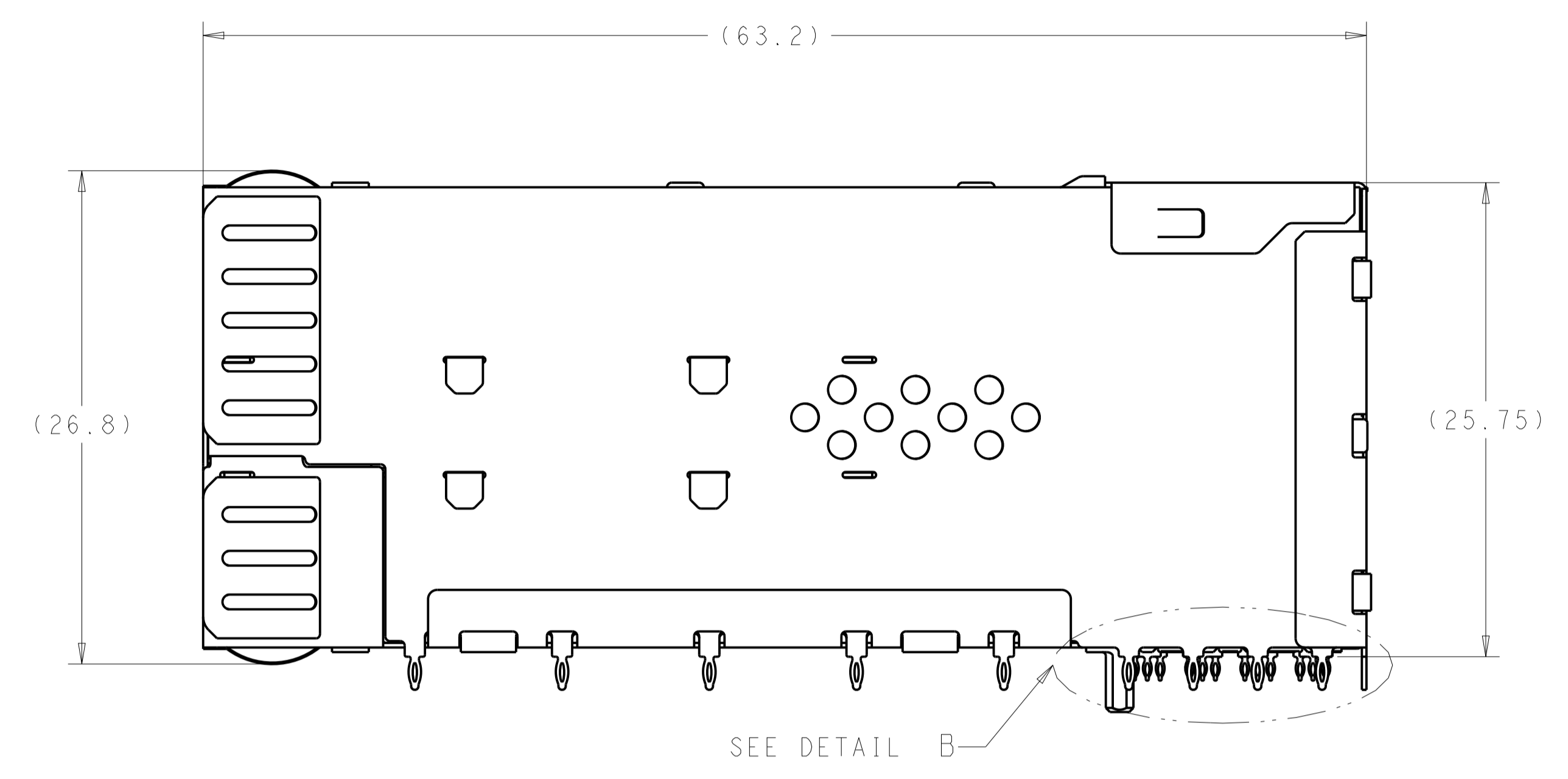
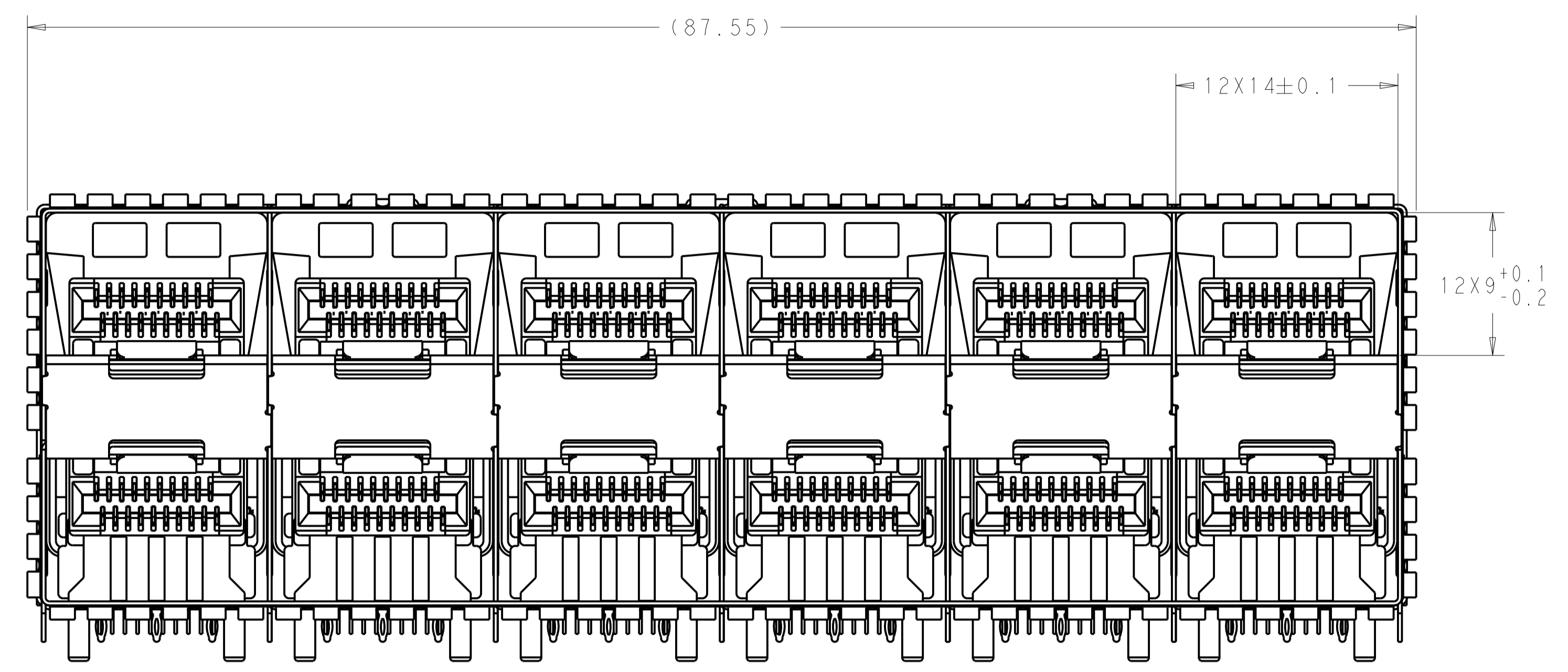


SCALE 3:1

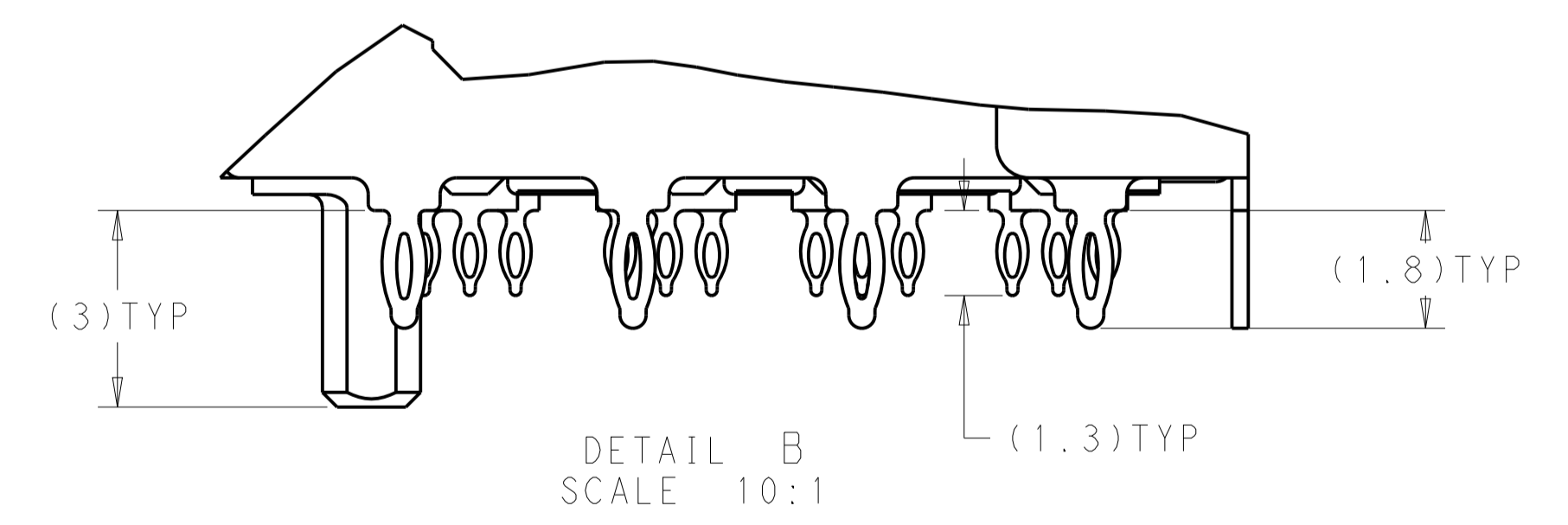
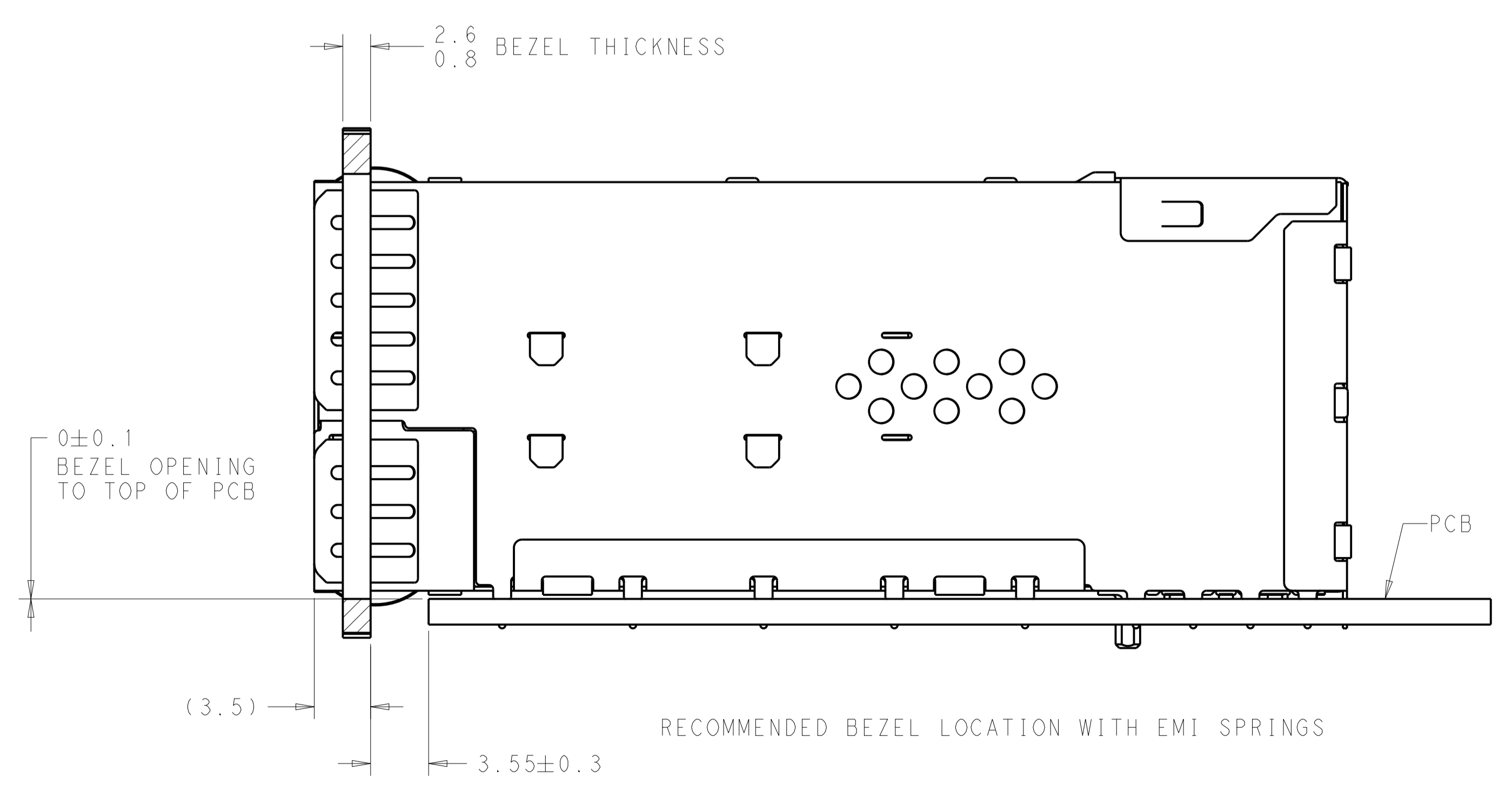


THIS DRAWING IS A CONTROLLED DOCUMENT.		DWN J. WANG 26FEB2019	TE Connectivity
DIMENSIONS: mm		CHK S. HAN 26FEB2019	
TOLERANCES UNLESS OTHERWISE SPECIFIED: 0 PLC ±0.25 1 PLC ±0.25 2 PLC ±0.25 3 PLC ±0.25 4 PLC ±0.25 ANGLES ±°		APVD S. HAN 26FEB2019	NAME RECEPTACLE ASSEMBLY, 2X6, STACKED, SFP56
MATERIAL SEE NOTES		FINISH SEE NOTES	PRODUCT SPEC 108-2481 APPLICATION SPEC 114-13319 WEIGHT - CUSTOMER DRAWING
4805 (3/11)		SCALE 1:1	SIZE CAGE CODE DRAWING NO A100779C=2347721 SHEET 3 OF 7 REV B

LOC	DIST	REVISIONS					
		REV	LTN	DESCRIPTION	DATE	DWN	APVD
GP	00	-	-	SEE SHEET 1	-	-	-

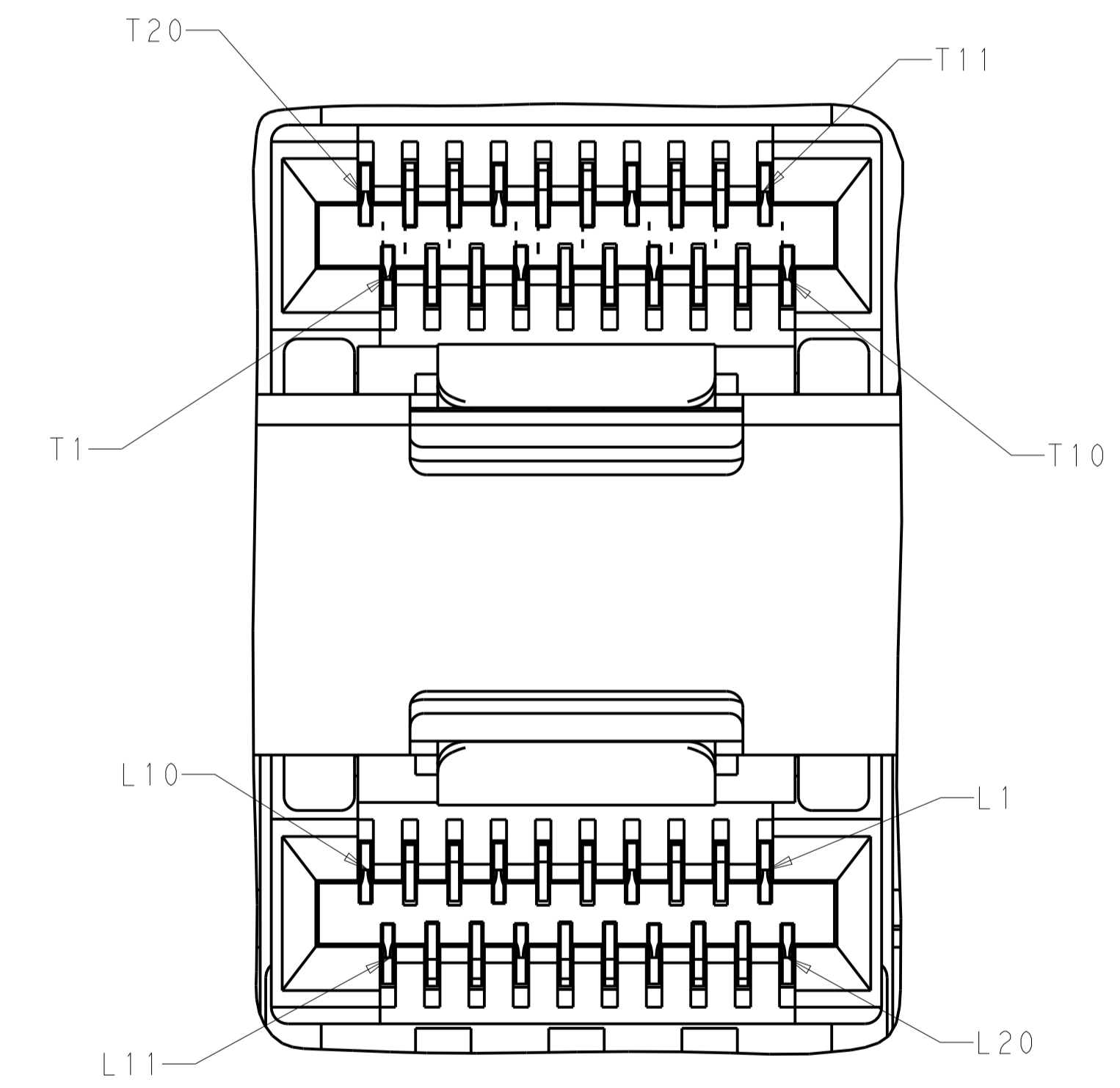
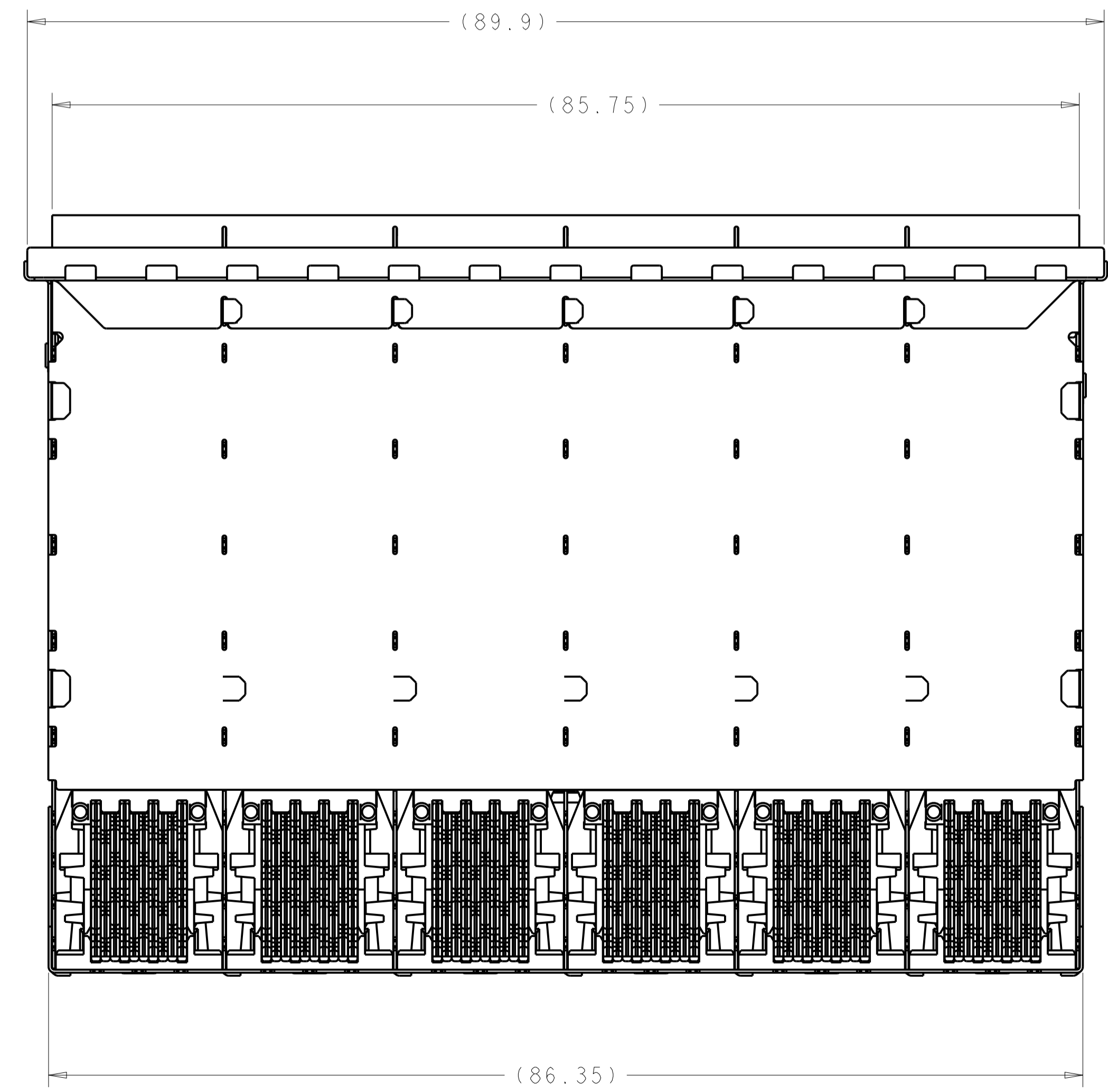
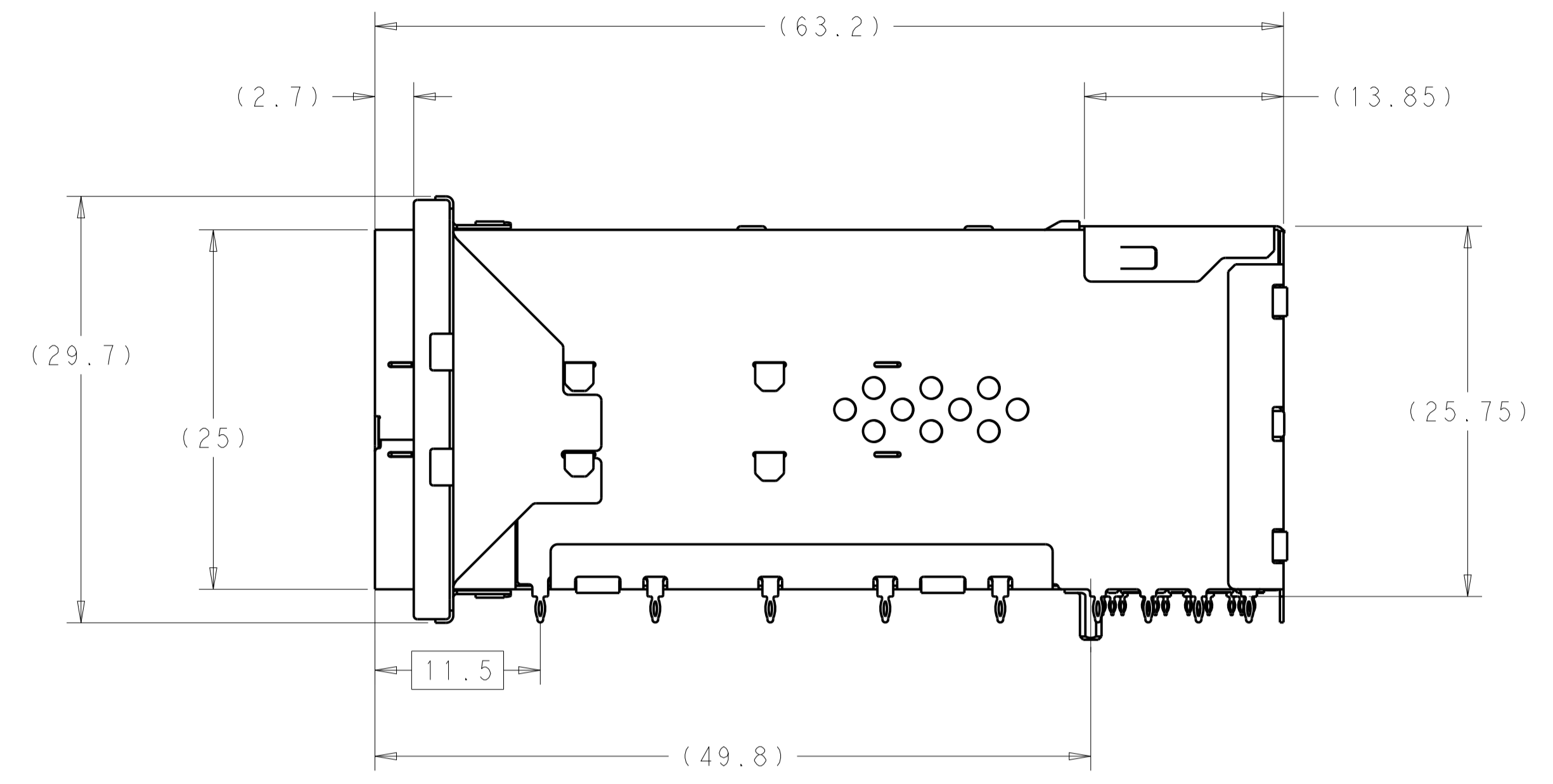
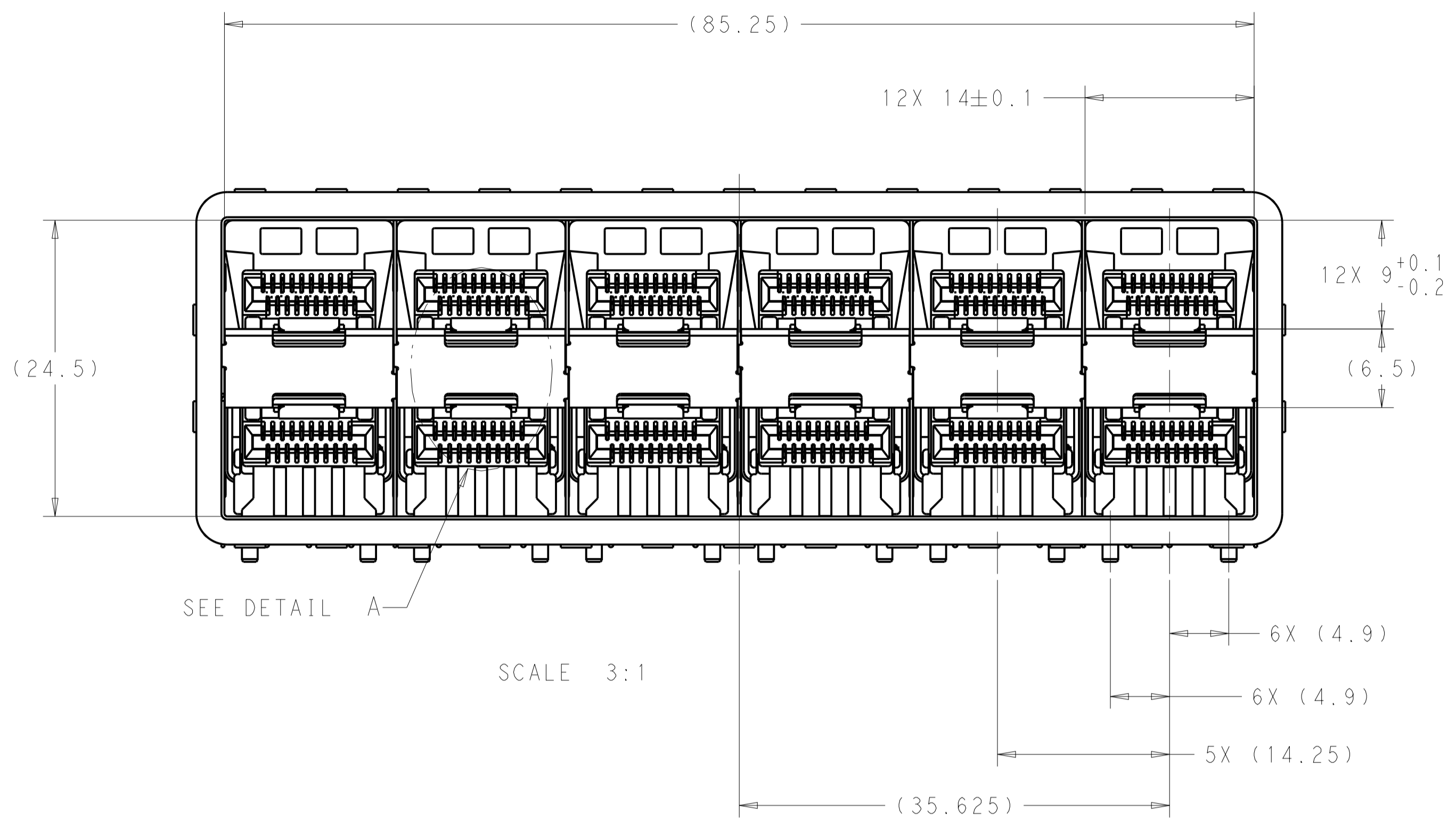


2347721-5 THRU 1-2347721-2, 1-2347721-9, 2-2347721-0, 2-2347721-1
 EMI SPRINGS ONLY
 SCALE 4:1



THIS DRAWING IS A CONTROLLED DOCUMENT.		DWN: J. WANG 26FEB2019	TE Connectivity
DIMENSIONS: mm		CHK: S. HAN 26FEB2019	
TOLERANCES UNLESS OTHERWISE SPECIFIED:		APVD: S. HAN 26FEB2019	NAME: RECEPTACLE ASSEMBLY, 2X6, STACKED, SFP56
0 PLC	±0.25	PRODUCT SPEC	SIZE: CAGE CODE DRAWING NO
1 PLC	±0.25	108-2481	RESTRICTED TO
2 PLC	±0.25	APPLICATION SPEC	A100779C=2347721
3 PLC	±0.25	114-13319	SCALE 1:1 SHEET 4 OF 7 REV B
4 PLC	±0.25	WEIGHT	
ANGLES	±4°	CUSTOMER DRAWING	
MATERIAL: SEE NOTES	FINISH: SEE NOTES		

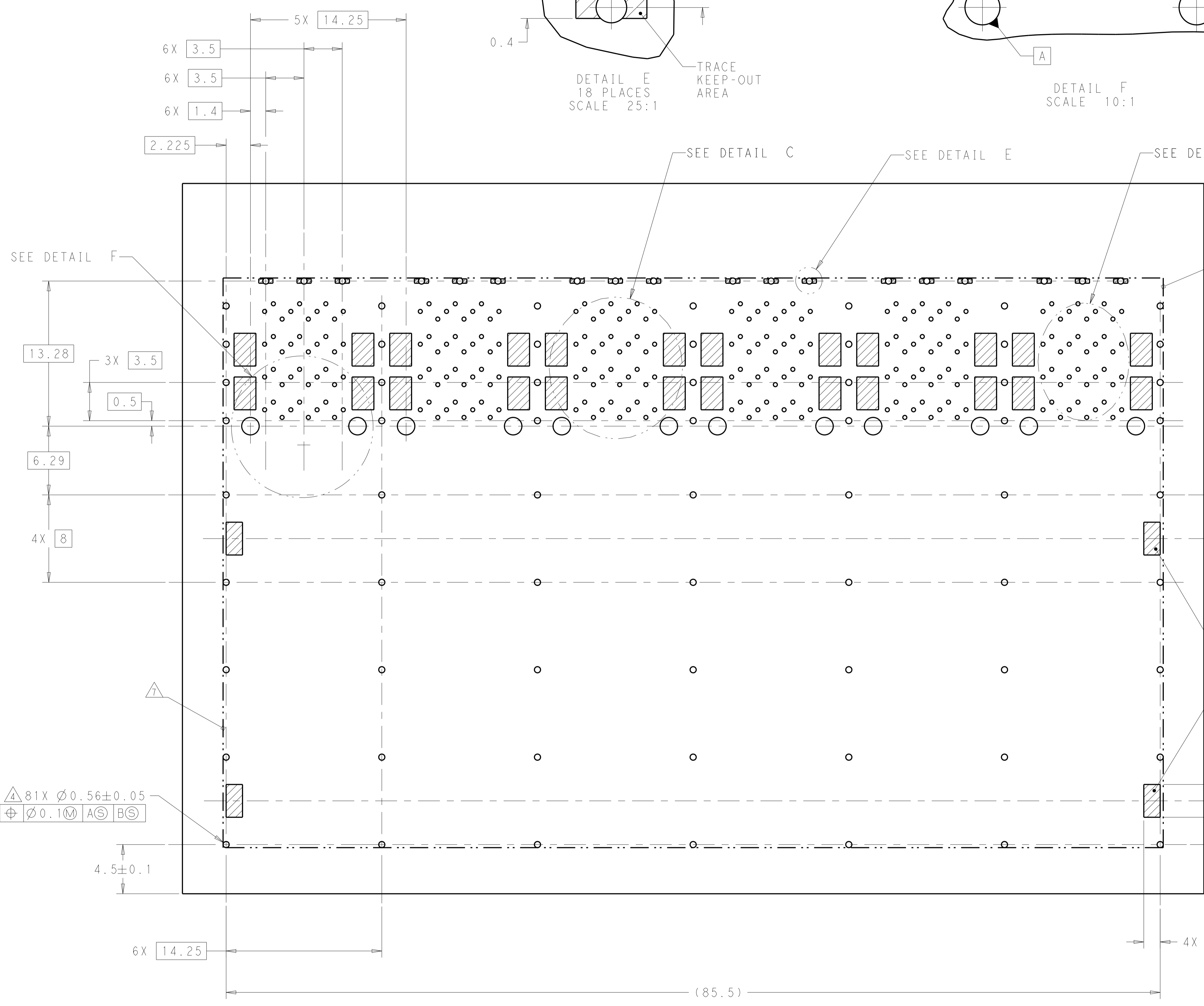
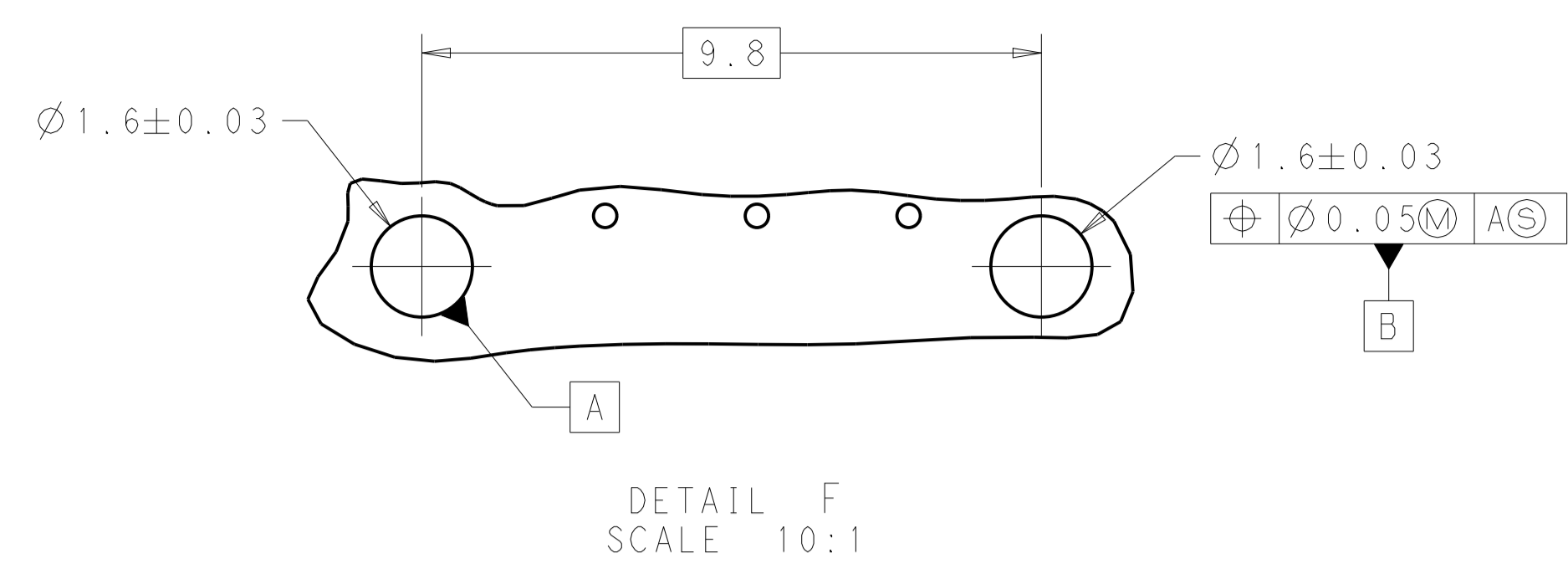
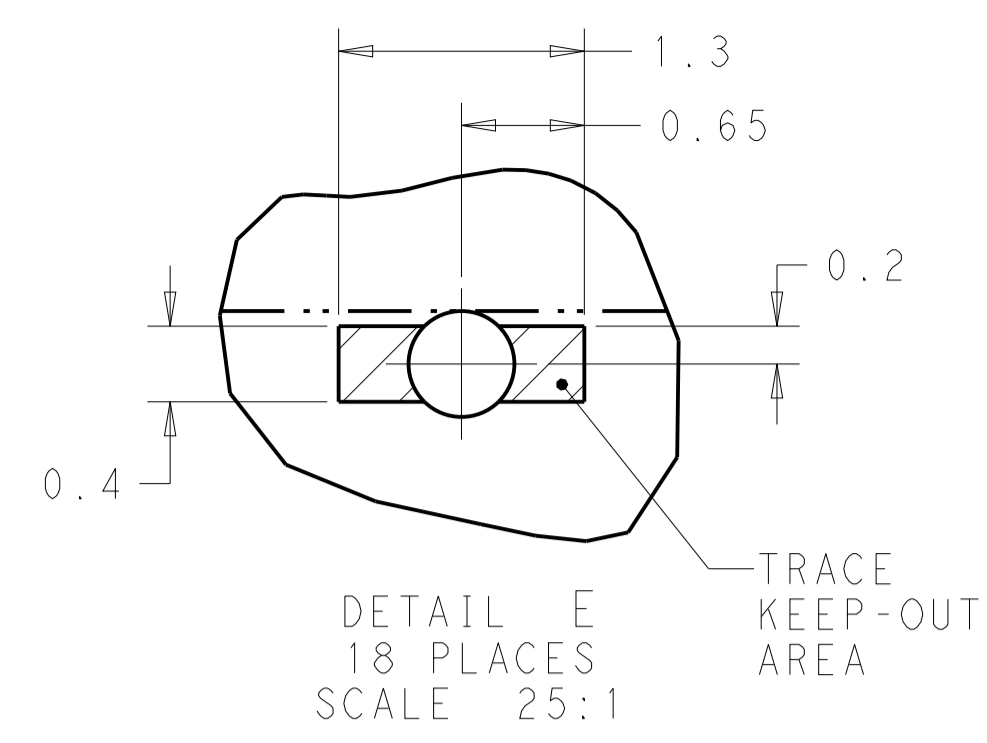
LOC		DIST		REVISIONS			
GP	00	P	LTN	DESCRIPTION	DATE	DWN	APVD
		-		SEE SHEET 1	-	-	-



DETAIL A
 6X INDIVIDUALLY
 SCALE 10:1

THIS DRAWING IS A CONTROLLED DOCUMENT.		DWN: J. WANG 26FEB2019	TE Connectivity
DIMENSIONS: mm		CHK: S. HAN 26FEB2019	
TOLERANCES UNLESS OTHERWISE SPECIFIED:		APVD: S. HAN 26FEB2019	NAME: RECEPTACLE ASSEMBLY, 2X6, STACKED, SFP56
0 PLC ±0.25 1 PLC ±0.25 2 PLC ±0.25 3 PLC ±0.25 4 PLC ±0.25 ANGLES ±°		PRODUCT SPEC: 108-2481	SIZE: A1
MATERIAL: SEE NOTES		FINISH: SEE NOTES	APPLICATION SPEC: 114-13319
		WEIGHT: -	RESTRICTED TO: -
		CUSTOMER DRAWING	SCALE: 1:1 SHEET 5 OF 7 REV B

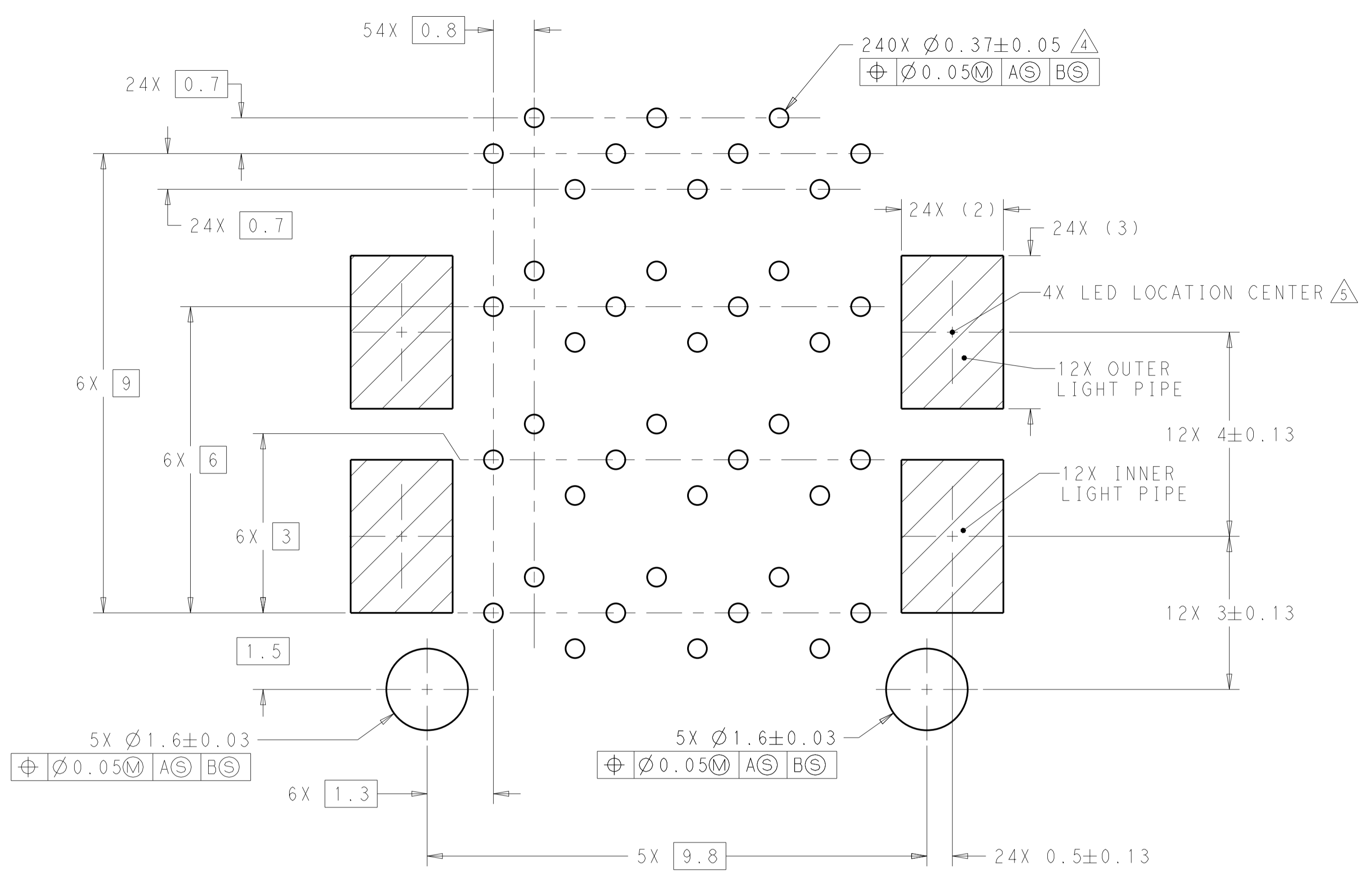
LOC		DIST		REVISIONS				
GP	00	P	LTN	DESCRIPTION	DATE	DWN	APVD	
				SEE SHEET 1				



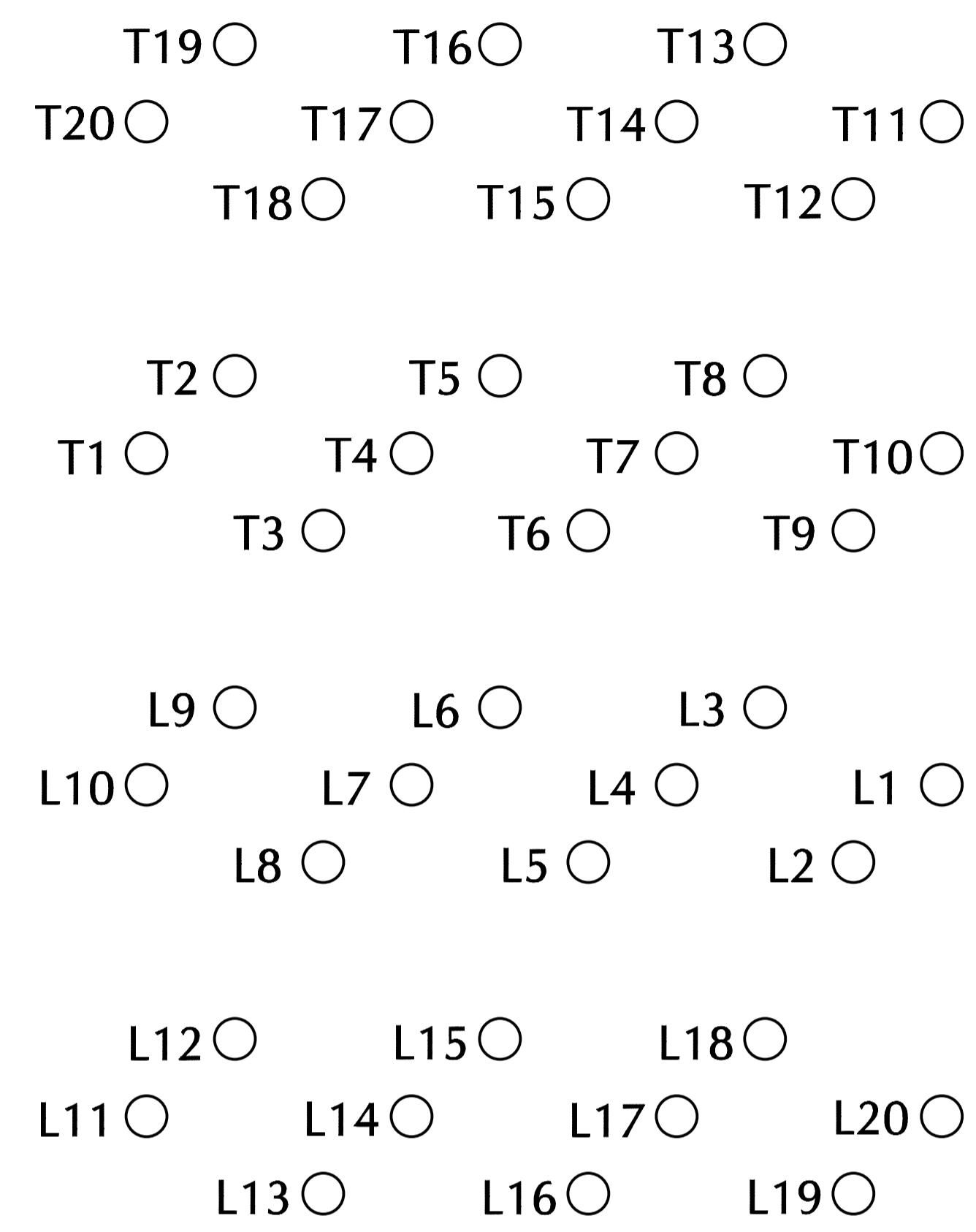
THIS DRAWING IS A CONTROLLED DOCUMENT.		DWN: J. WANG 26FEB2019	TE Connectivity
DIMENSIONS: mm		CHK: S. HAN 26FEB2019	
TOLERANCES UNLESS OTHERWISE SPECIFIED:		APVD: S. HAN 26FEB2019	NAME: RECEPTACLE ASSEMBLY, 2X6, STACKED, SFP56
0 PLC ±0.25	1 PLC ±0.25	PRODUCT SPEC: 108-2481	SIZE: A1
2 PLC ±0.25	3 PLC ±0.25	APPLICATION SPEC: 114-13319	CAGE CODE: 2347721
4 PLC ±0.25	ANGLES ±°	WEIGHT: -	RESTRICTED TO: -
MATERIAL: SEE NOTES	FINISH: SEE NOTES	CUSTOMER DRAWING	SCALE: 1:1 SHEET 6 OF 7 REV B

LOC	DIST	REV	DATE	BY	APPV
GP	00				

REVISIONS			
NO.	DESCRIPTION	DATE	BY
1	SEE SHEET 1		

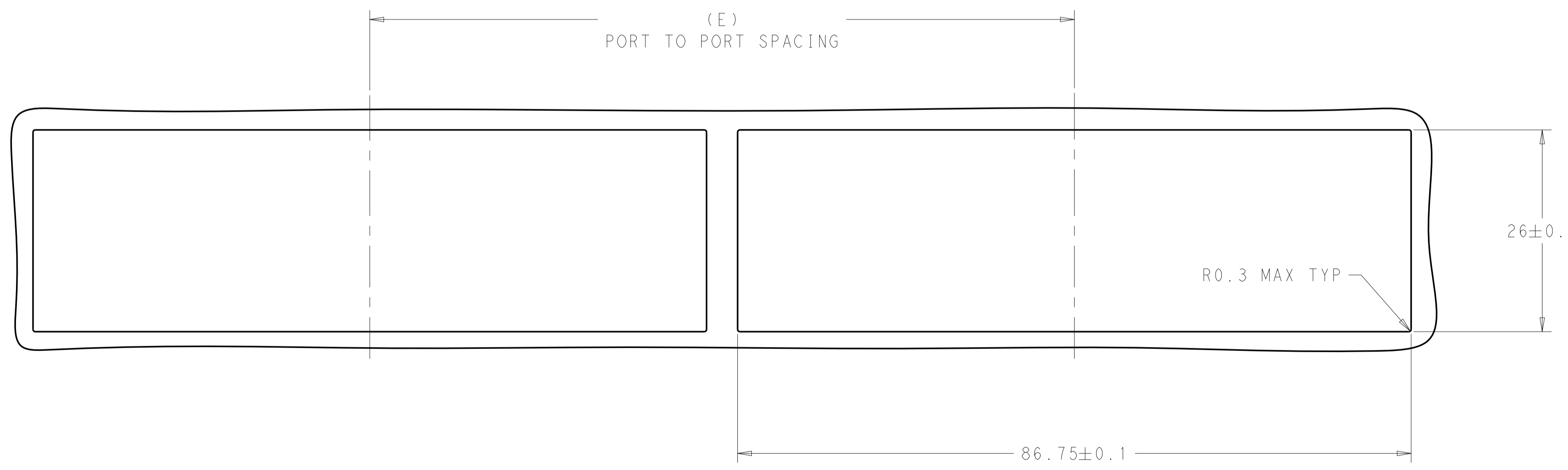


DETAIL C
 RECOMMENDED PIN AND LIGHT PIPE LAYOUT
 SCALE 15:1

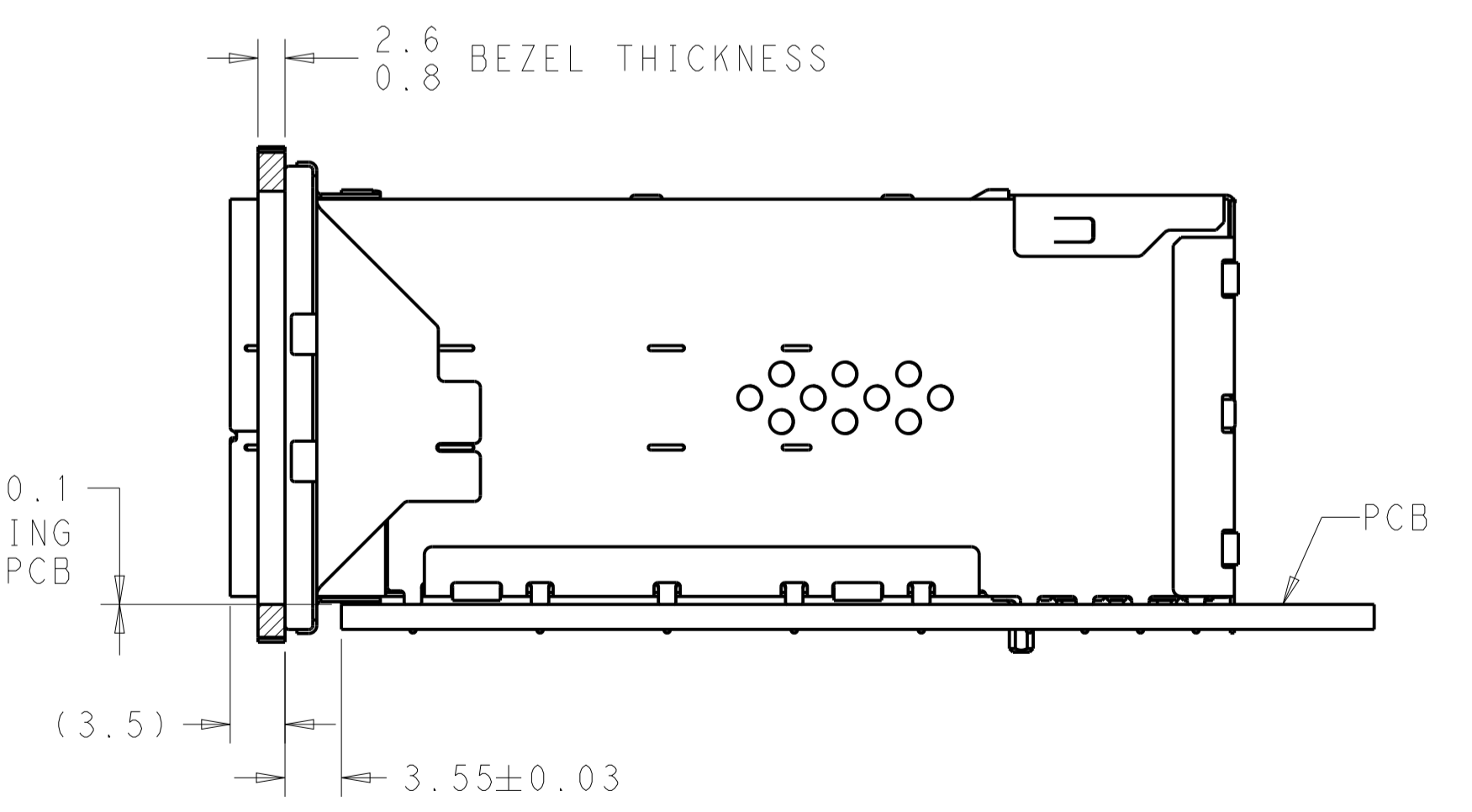


PIN MAP LEGEND	
PIN NUMBER	FUNCTION
L1/T1	VEET
L2/T2	TX-FAULT
L3/T3	TX-DISABLE
L4/T4	SDA
L5/T5	SCL
L6/T6	MOD_ABS
L7/T7	RSO
L8/T8	RX_LOS
L9/T9	RS1
L10/T10	VEER
L11/T11	VEER
L12/T12	RD-
L13/T13	RD+
L14/T14	VEER
L15/T15	VCCR
L16/T16	VCCT
L17/T17	VEET
L18/T18	TD+
L19/T19	TD-
L20/T20	VEET

DETAIL D
 PIN MAP
 6 PLACES
 SCALE 20:1



RECOMMENDED BEZEL CUT-OUT DETAIL
 SCALE 5:2



RECOMMENDED BEZEL LOCATION WITH EMI GASKET
 SCALE 5:2

THIS DRAWING IS A CONTROLLED DOCUMENT.		OWN: J. WANG 26FEB2019	TE Connectivity
DIMENSIONS: mm		CHK: S. HAN 26FEB2019	
TOLERANCES UNLESS OTHERWISE SPECIFIED:		APVD: S. HAN 26FEB2019	NAME: RECEPTACLE ASSEMBLY, 2X6, STACKED, SFP56
0 PLC ±0.25 1 PLC ±0.25 2 PLC ±0.25 3 PLC ±0.25 4 PLC ±0.25 ANGLES ±°		PRODUCT SPEC: 108-2481	
MATERIAL: SEE NOTES		FINISH: SEE NOTES	APPLICATION SPEC: 114-13319
		WEIGHT: -	SIZE: A100779
		CUSTOMER DRAWING	SCALE: 1:1 SHEET 7 OF 7 REV B

X-ON Electronics

Largest Supplier of Electrical and Electronic Components

Click to view similar products for [I/O Connectors](#) category:

Click to view products by [TE Connectivity](#) manufacturer:

Other Similar products are found below :

[571763P](#) [72.250.1628.2](#) [72.250.2428.2](#) [74720-0505](#) [76.350.0729.0](#) [76871-1403](#) [FCN-244F080-G/1](#) [FCN-260A9920](#) [MP-5T180MUNNA-005](#)
[PCR-E36PM](#) [PCS-XE26MA+](#) [G38A71314B](#) [1571250010](#) [157-22500-3](#) [MS3471L14-19P L/C](#) [91-569786-35H](#) [172501-4002](#) [172501-6002](#)
[FCN-260C008-A/L0](#) [FCN-260C024-AL0](#) [FCN-261Z008](#) [2000314-1](#) [200331-1](#) [PCR-E36FC+](#) [PCS-E28FS+](#) [PCS-XE26SLFD+](#) [PCS-](#)
[XE26SLFDT+](#) [G730VID08BDC24](#) [U90B2054081210](#) [UE86K842720321](#) [38113800006](#) [DP3AR020WQ1R200](#) [Z4.102.0680.0](#) [500-1040](#)
[500-1052](#) [500-1054](#) [ZP-4008-66L](#) [0709821002](#) [10-565995-597N](#) [DX40-20P\(55\)](#) [5554841-1](#) [MS3474W18-8P-LC*](#) [U90B3054061110](#) [U65-](#)
[E04-4020](#) [ZPF000000000097891](#) [557-262M2-06C](#) [747360449](#) [10099439-003C-TRLF](#) [10137239-0021LF](#) [E9320-001-01](#)