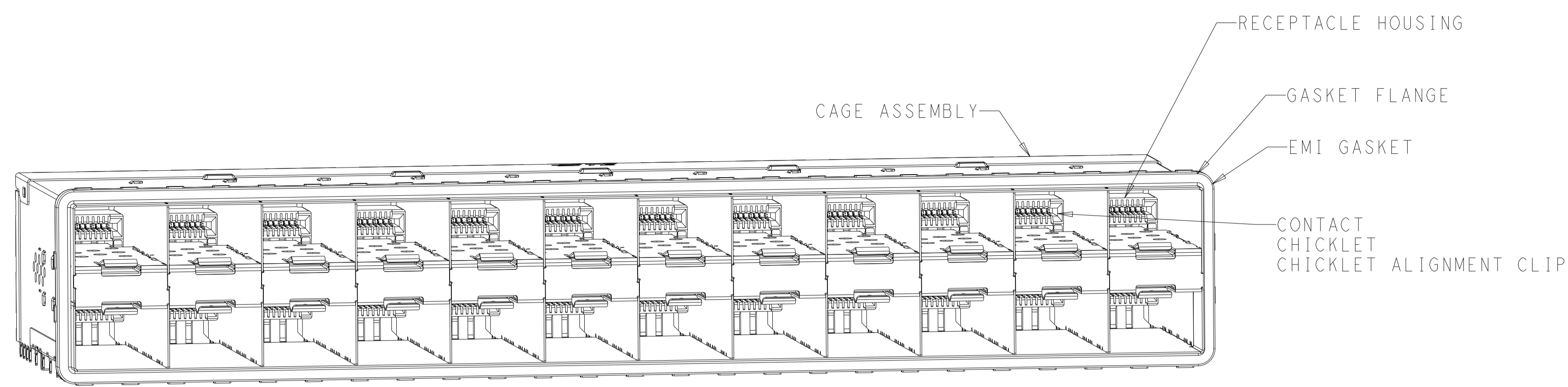
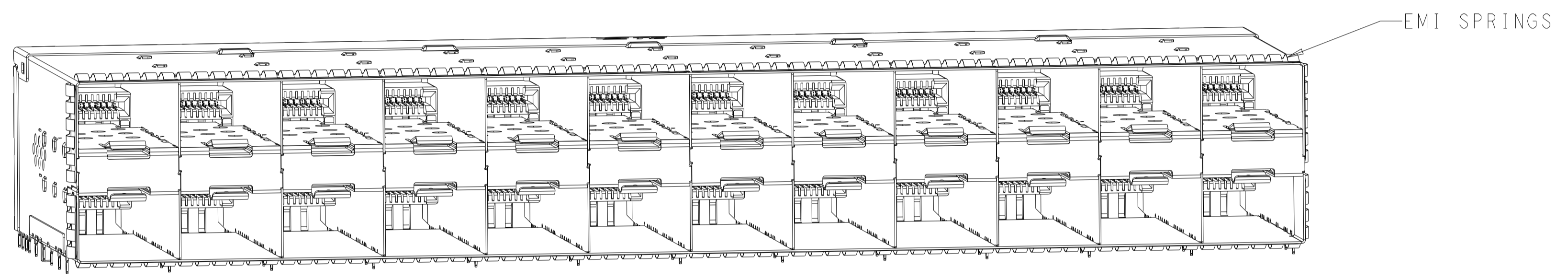


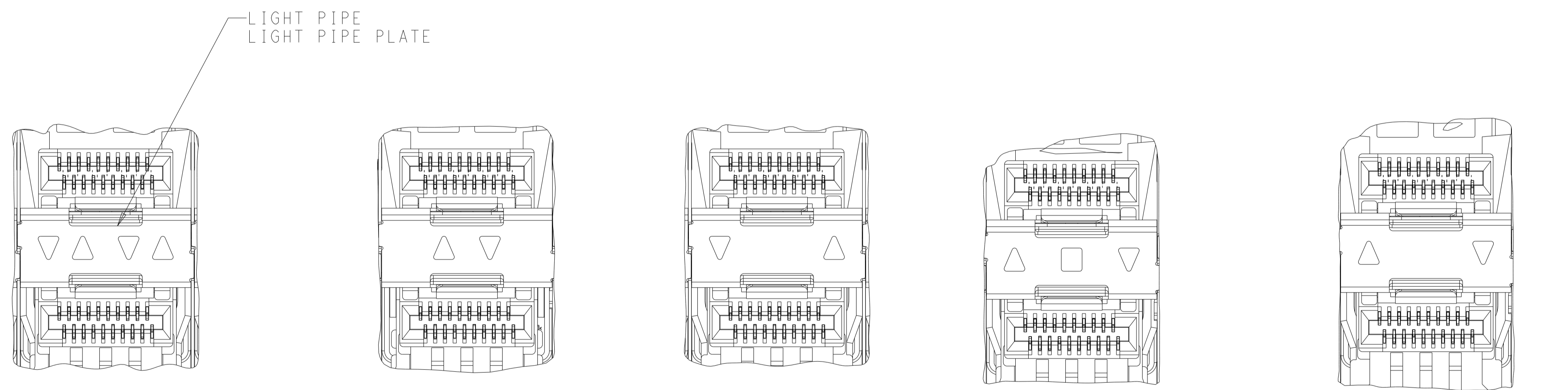
| LOC | | DIST | | REVISIONS | | | |
|-----|----|------|-----|--------------------------------|-----------|-----|------|
| GP | 00 | P | LTN | DESCRIPTION | DATE | DWN | APVD |
| | | A | | PRODUCTION RELEASE | 05JUN2019 | JW | SH |
| | | B | | REVISED PER ECO-20-014521 | 13OCT2020 | JY | SH |
| | | B1 | | ADD PN 2-2349201-3,2-2349201-4 | 23APR2021 | SZ | SZ |



2349201-1



2349201-5



INNER/OUTER LIGHT PIPE
2349201-2, 2349201-6
SCALE 4:1

INNER LIGHT PIPE
2349201-3, 2349201-7
SCALE 4:1

OUTER LIGHT PIPE
2349201-4, 2349201-8
SCALE 4:1

CENTER/
REVERSE OUTER LIGHT PIPE
1-2349201-7, 1-2349201-9
SCALE 4:1

REVERSE OUTER LIGHT PIPE
1-2349201-8, 2-2349201-0
SCALE 4:1

- MATERIALS:
 CAGE ASSEMBLY - NICKEL-SILVER ALLOY PER ASTM B 122
 RECEPTACLE HOUSING - LCP, BLACK, UL 94V-O RATED
 CHICKLET - LCP, BLACK, UL 94V-O RATED
 CHICKLET ALIGNMENT CLIP - LCP, BLACK, UL94V-O RATED
 CONTACT - COPPER ALLOY
 EMI GASKET - ELASTOMERIC
 GASKET FLANGE - STAINLESS STEEL
 LIGHT PIPE - POLYCARBONATE
 LIGHT PIPE PLATE - STAINLESS STEEL
 EMI SPRINGS - PHOSPHOR BRONZE PER ASTM B103
 INSULATOR TAPE: KAPTON
 - CONTACT FINISH:
 0.76µm MIN GOLD PER ASTM B 844 AT MATING INTERFACE,
 1.25µm MIN MATTE TIN PER ASTM B 545 AT PCB INTERFACE
 ALLOVER 2.54µm MIN NICKEL PER QQ-N-290.
 - PCB MINIMUM THICKNESS = 1.5mm
- ⚠ FOR HOLE SIZE AND PLATINGS,
SEE APPLICATION SPECIFICATION 114-13319
- ⚠ LIGHT PIPE PAD LAYOUT IS FOR 0805 LOW PROFILE
LED PACKAGE WITH A HEIGHT OF 0.8mm
- ⚠ THE ENTIRE AREA OF THE CONNECTOR FOOTPRINT, INDICATED BY THE
DASHED LINE, TO BE CONSIDERED THE KEEPOUT AREA FOR COMPONENTS
AND SIGNAL TRACES, TOP SIDE ONLY, TOP SIDE TRACES ALLOWED
WITHIN CONNECTOR HOLE PATTERN
- ⚠ DIMENSION APPLIES FROM EMI SPRINGS ONLY.

| | | | |
|--------|-------------|---|-------------|
| 173.5 | EMI SPRINGS | NONE, AIRFLOW ENHANCE | 2-2349201-4 |
| | | INNER, AIRFLOW ENHANCE | 2-2349201-3 |
| 173.5 | EMI SPRINGS | NONE, AIRFLOW ENHANCE WITH INSULATOR TAPE | 2-2349201-2 |
| | | NONE, AIRFLOW ENHANCE | 2-2349201-1 |
| 173.5 | EMI SPRINGS | REVERSED OUTER | 2-2349201-0 |
| | | CENTER/REVERSED OUTER | 1-2349201-9 |
| 176.25 | EMI GASKET | REVERSED OUTER | 1-2349201-8 |
| | | CENTER/REVERSED OUTER | 1-2349201-7 |
| 173.5 | EMI SPRINGS | OUTER | 2349201-8 |
| | | INNER | 2349201-7 |
| | | INNER/OUTER | 2349201-6 |
| 176.25 | EMI GASKET | NONE | 2349201-5 |
| | | OUTER | 2349201-4 |
| | | INNER | 2349201-3 |
| (E) | CAGE TYPE | INNER/OUTER | 2349201-2 |
| | | NONE | 2349201-1 |
| | | LIGHT PIPE CONFIGURATION | PART NUMBER |

THIS DRAWING IS A CONTROLLED DOCUMENT. DIMENSIONING AND TOLERANCING PER ASME Y14.5M-2009.

APPROVED: S. HAN 27FEB2019

NAME: RECEPTACLE ASSEMBLY, 2X12, STACKED, SFP56

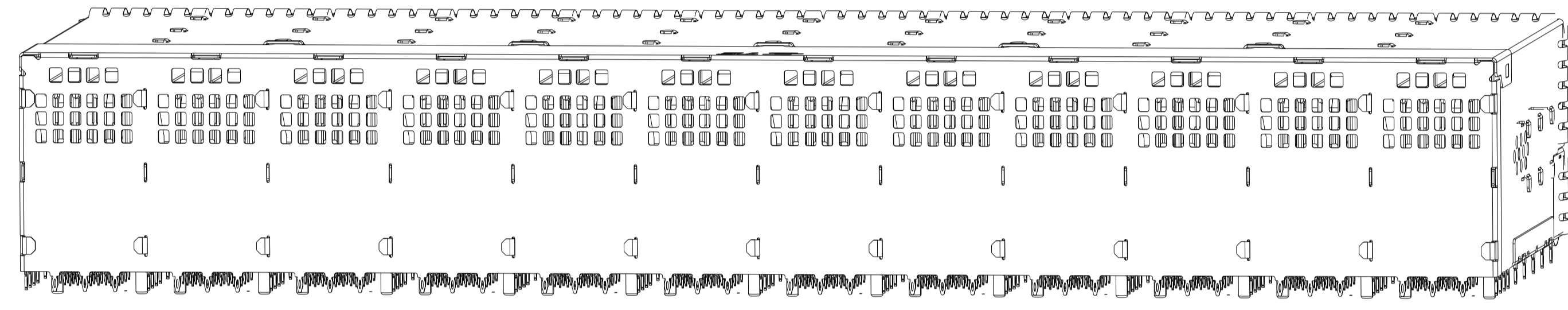
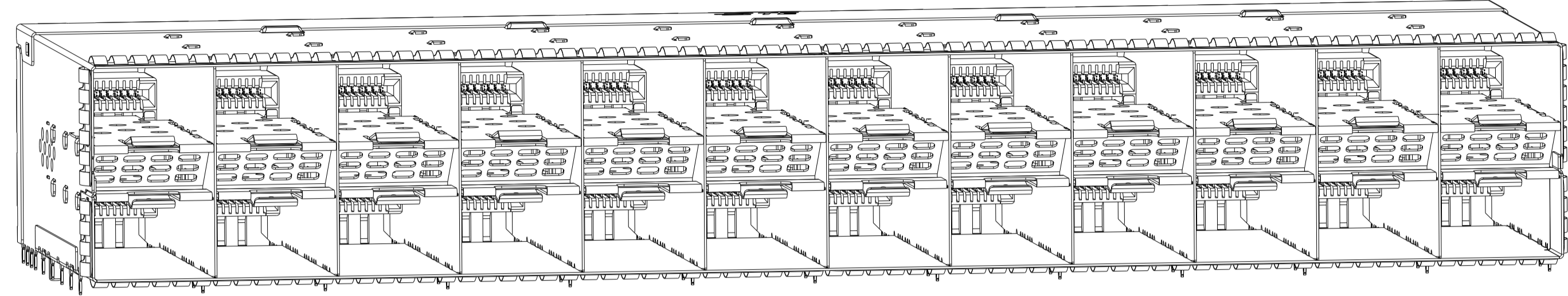
SIZE: A1 00779 C=2349201

SCALE: 2:1 SHEET 1 OF 8 REV: B1

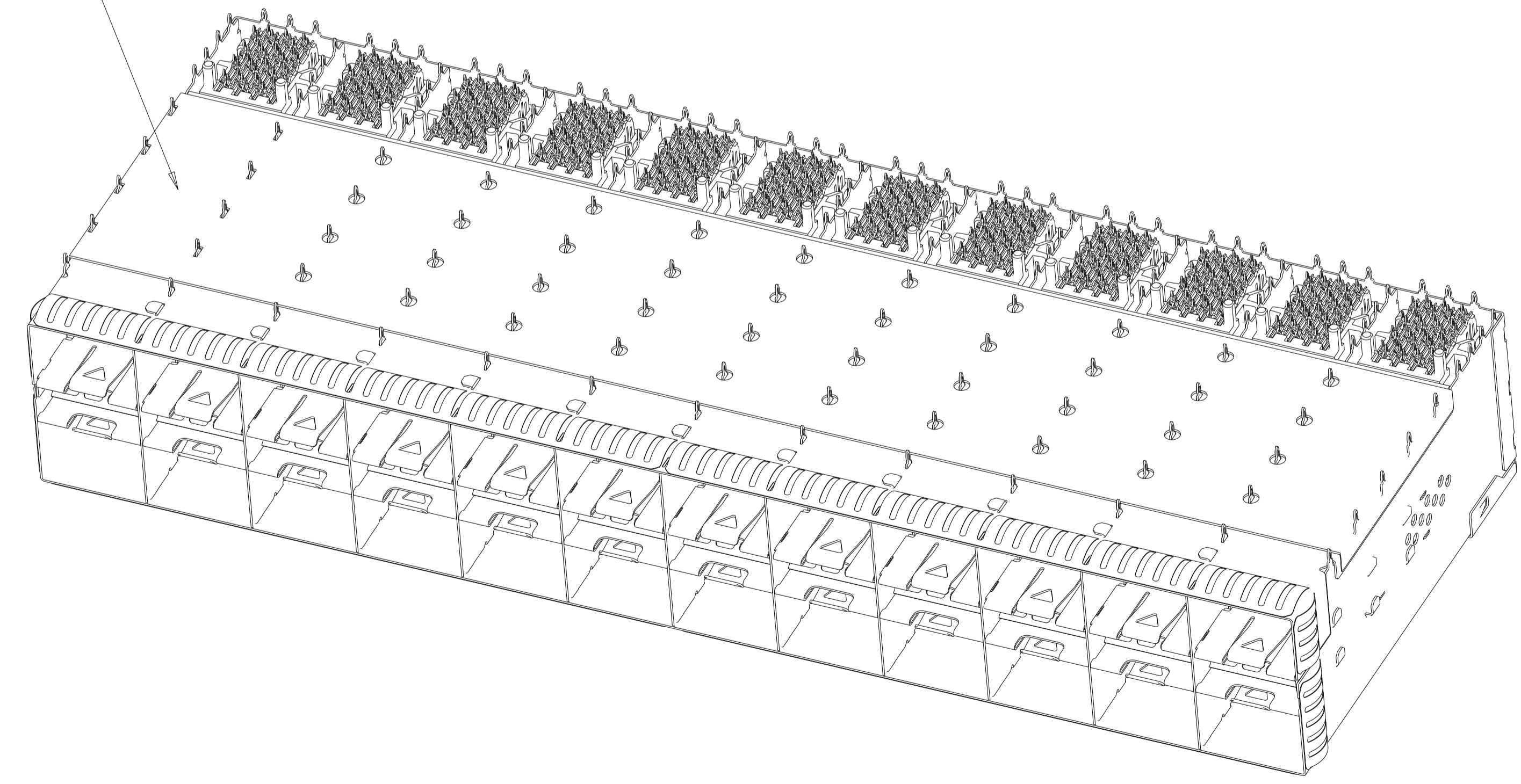
STE TE Connectivity

| LOC | DIST | REVISIONS | | | |
|-----|------|-------------|------|-----|------|
| P | LYR | DESCRIPTION | DATE | DMN | APVD |
| - | - | SEE SHEET 1 | - | - | - |
| | | | | | |
| | | | | | |

2-2349201-1/2-2349201-2 AIR FLOW ENHANCE VERSION
 UNMARKED DIMESIONS ARE SAME AS 2349201-7



INSULATOR TAPE
 ONLY FOR 2-2349201-2



SCALE 2:1

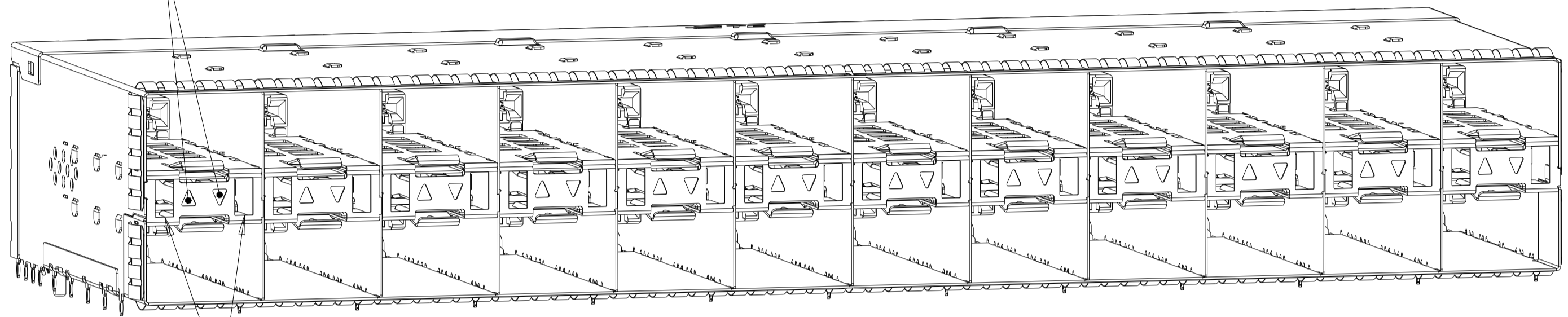
| | | | |
|--|--|---|--|
| THIS DRAWING IS A CONTROLLED DOCUMENT. | | DMN J. WANG 27FEB2019 | |
| DIMENSIONS: | | CHK S. HAN 27FEB2019 | |
| mm | TOLERANCES UNLESS OTHERWISE SPECIFIED: | APVD S. HAN 27FEB2019 | NAME RECEPTACLE ASSEMBLY, 2X12, STACKED, SFP56 |
| | 0 PLC ±0.25 1 PLC ±0.25 2 PLC ±0.25 3 PLC ±0.25 4 PLC ±0.25 ANGLES ±° FINISH ±5° | PRODUCT SPEC 108-2431 APPLICATION SPEC 114-13319 | SIZE A1 |
| MATERIAL SEE NOTES | SEE NOTES | WEIGHT - | RESTRICTED TO CUSTOMER DRAWING |
| 4805 (3/11) | | SCALE 2:1 | SHEET 2 OF 8 REV B1 |

| LOC | | DIST | | REVISIONS | | | |
|-----|-----|-------------|------|-----------|------|--|--|
| P | LYR | DESCRIPTION | DATE | DWN | APVD | | |
| - | | SEE SHEET 1 | - | - | - | | |
| | | | | | | | |
| | | | | | | | |

2-2349201-3 AIR FLOW ENHANCE VERSION
UNMARKED DIMENSIONS ARE SAME AS 2-2349201-1

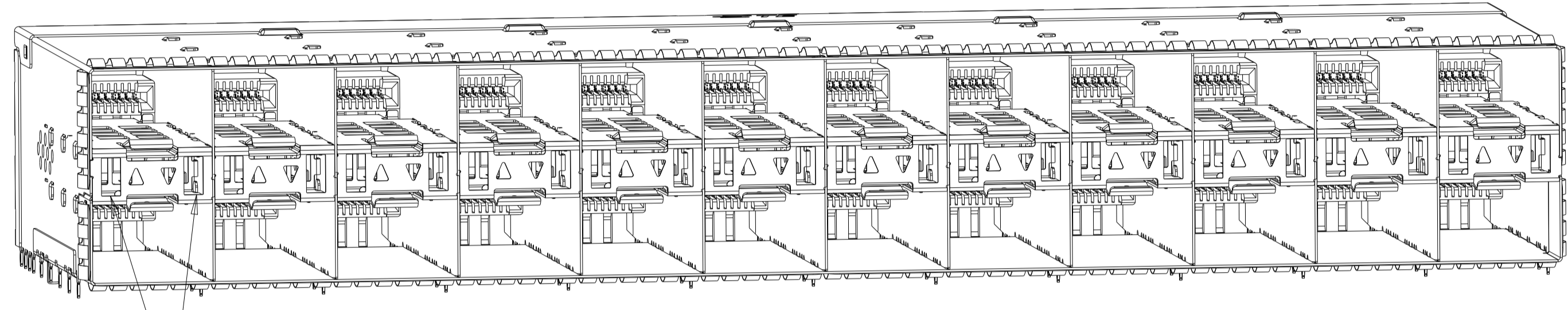
2-2349201-4 AIR FLOW ENHANCE VERSION
UNMARKED DIMENSIONS ARE SAME AS 2-2349201-1

INNER LIGHT PIPE



CUSTOMIZED VENT HOLES

SCALE 2:1

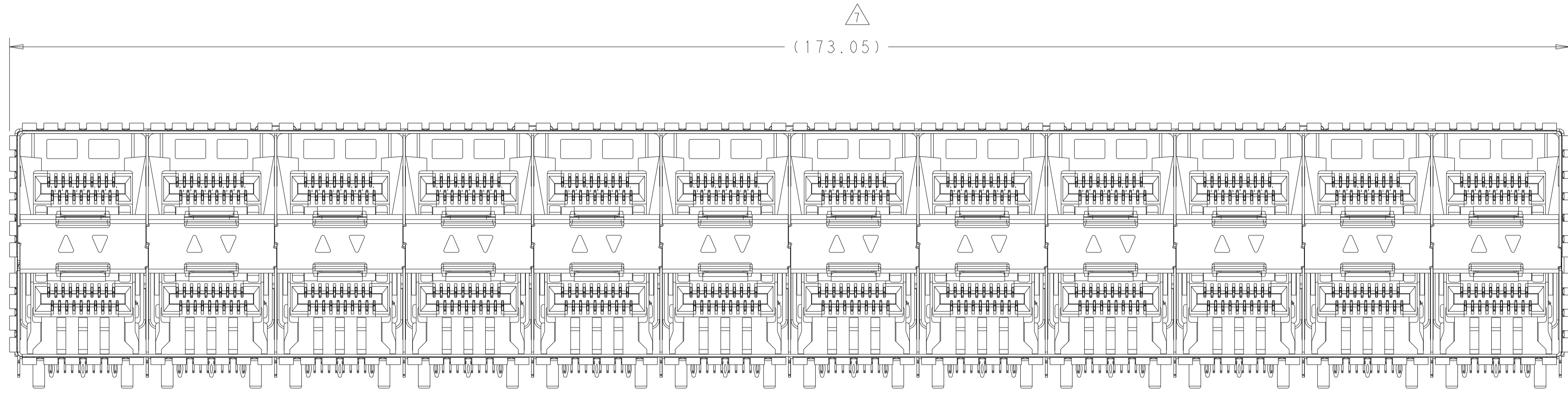


CUSTOMIZED VENT HOLES

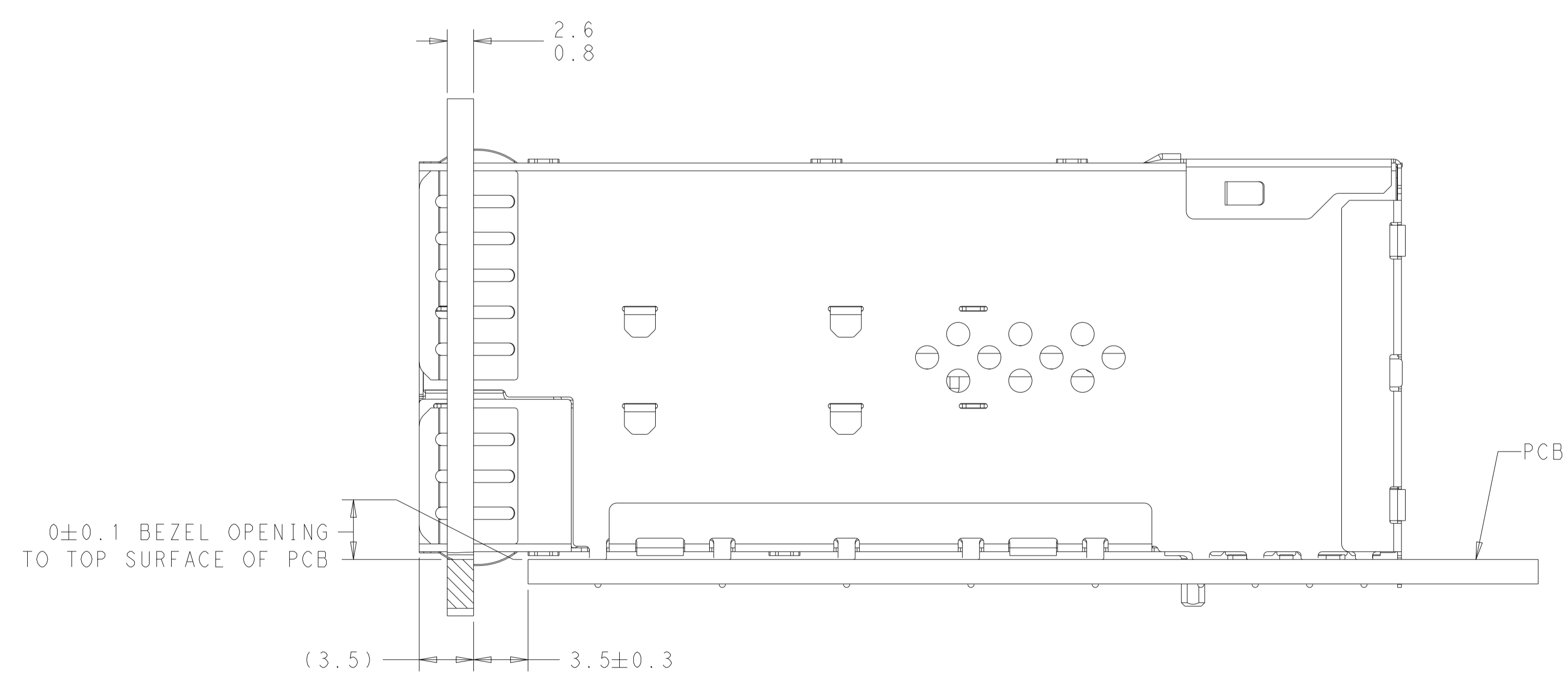
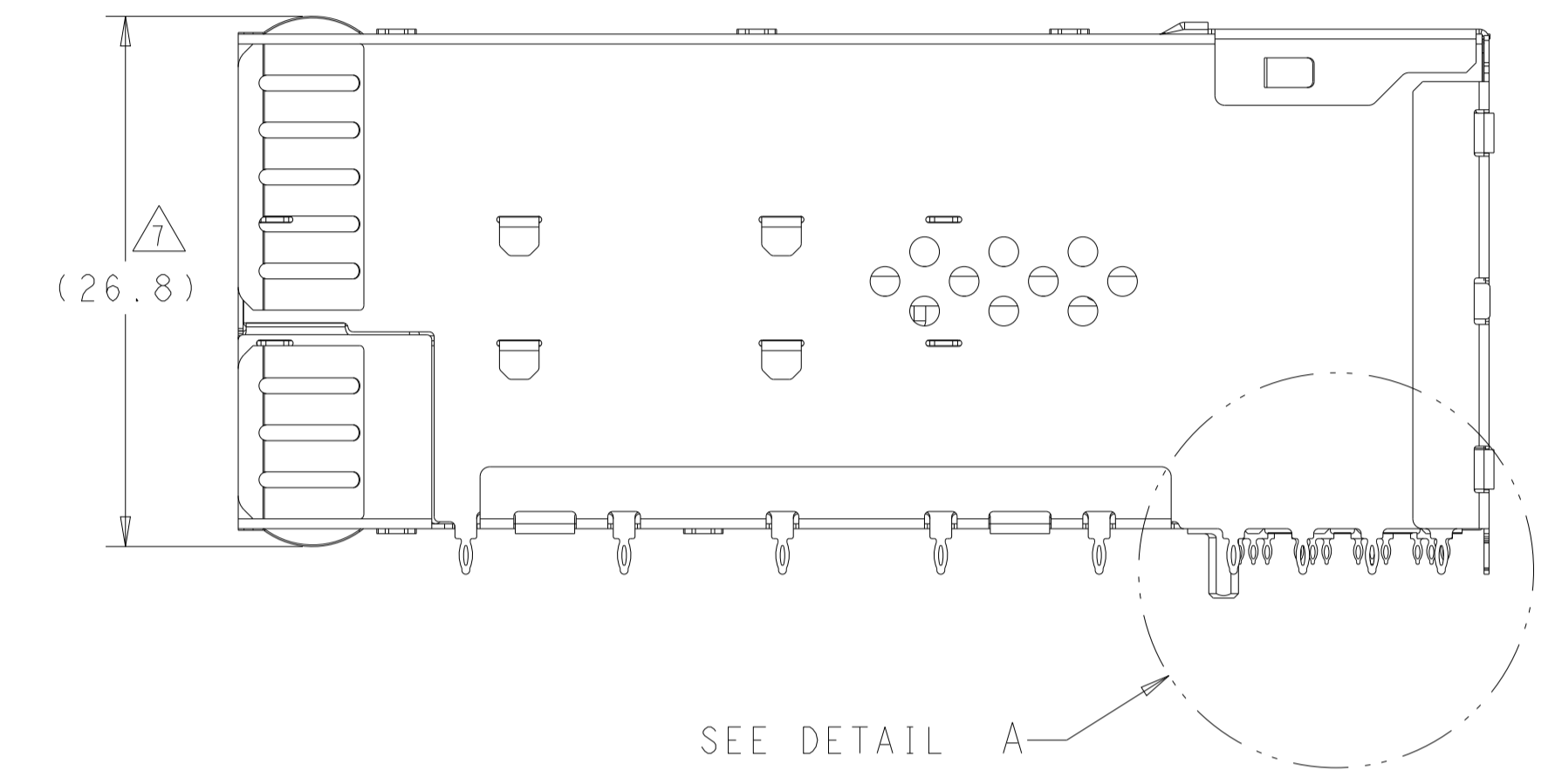
SCALE 2:1

| | | | |
|--|-------------|-------------------------------|--|
| THIS DRAWING IS A CONTROLLED DOCUMENT. | | DWN J. WANG 27FEB2019 | |
| DIMENSIONS: mm | | CHK S. HAN 27FEB2019 | |
| TOLERANCES UNLESS OTHERWISE SPECIFIED: | | APVD S. HAN 27FEB2019 | NAME RECEPTACLE ASSEMBLY, 2X12, STACKED, SFP56 |
| 0 PLC ±0.25 | 1 PLC ±0.25 | PRODUCT SPEC 108-2431 | SIZE A1 |
| 2 PLC ±0.25 | 3 PLC ±0.25 | APPLICATION SPEC 114-13319 | CAGE CODE C=2349201 |
| 4 PLC ±0.25 | ANGLES ±° | FINISH | DRAWING NO 100779 |
| MATERIAL SEE NOTES | WEIGHT - | CUSTOMER DRAWING | RESTRICTED TO - |
| SCALE 2:1 | | SHEET 3 OF 8 | REV B1 |

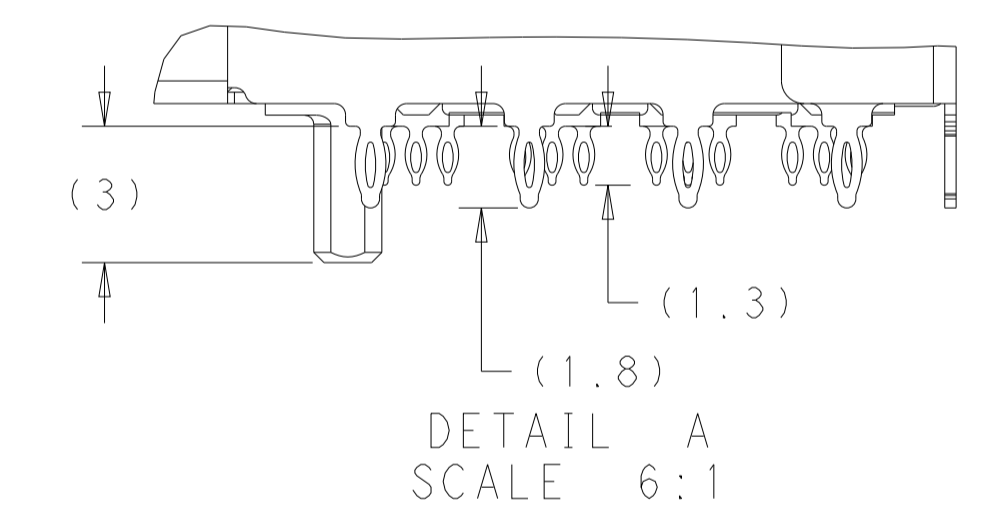
| LOC | DIST | REVISIONS | | | | | |
|-----|------|-----------|-----|-------------|------|-----|------|
| GP | 00 | P | LYR | DESCRIPTION | DATE | DWN | APVD |
| | | - | | SEE SHEET 1 | | | |
| | | | | | | | |
| | | | | | | | |



2349201-7
 EMI SPRINGS ONLY
 SCALE 3:1



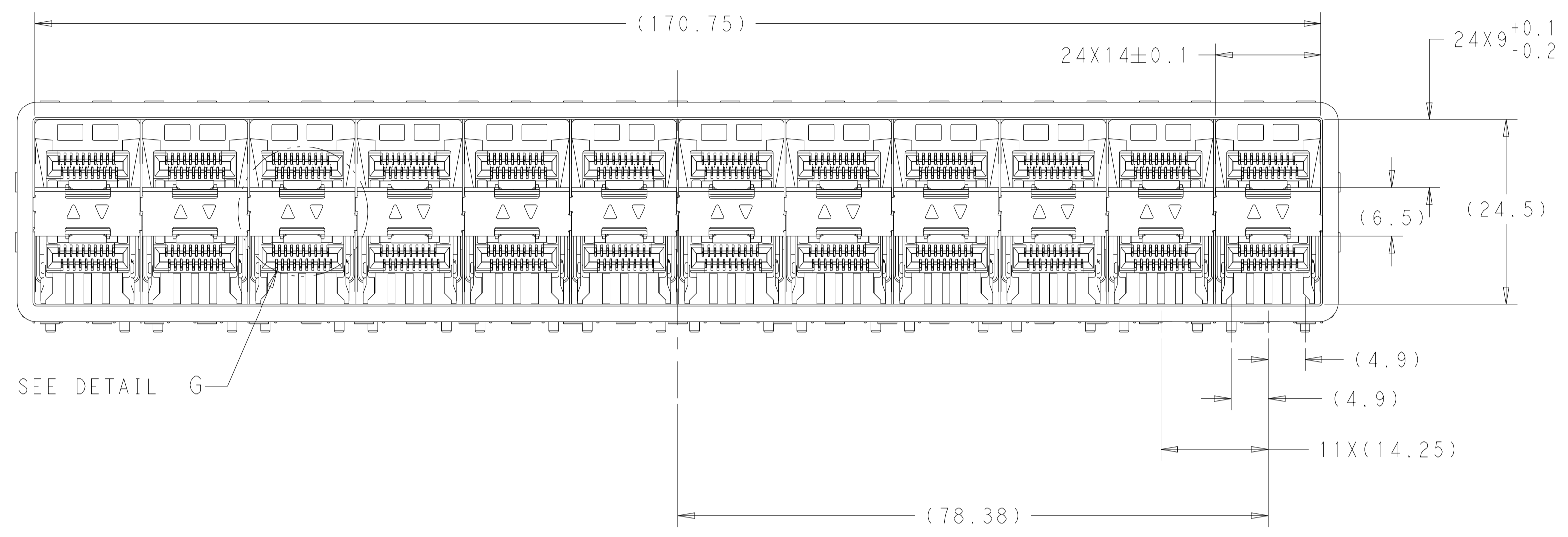
RECOMMENDED BEZEL LOCATION WITH EMI SPRINGS
 SCALE 4:1



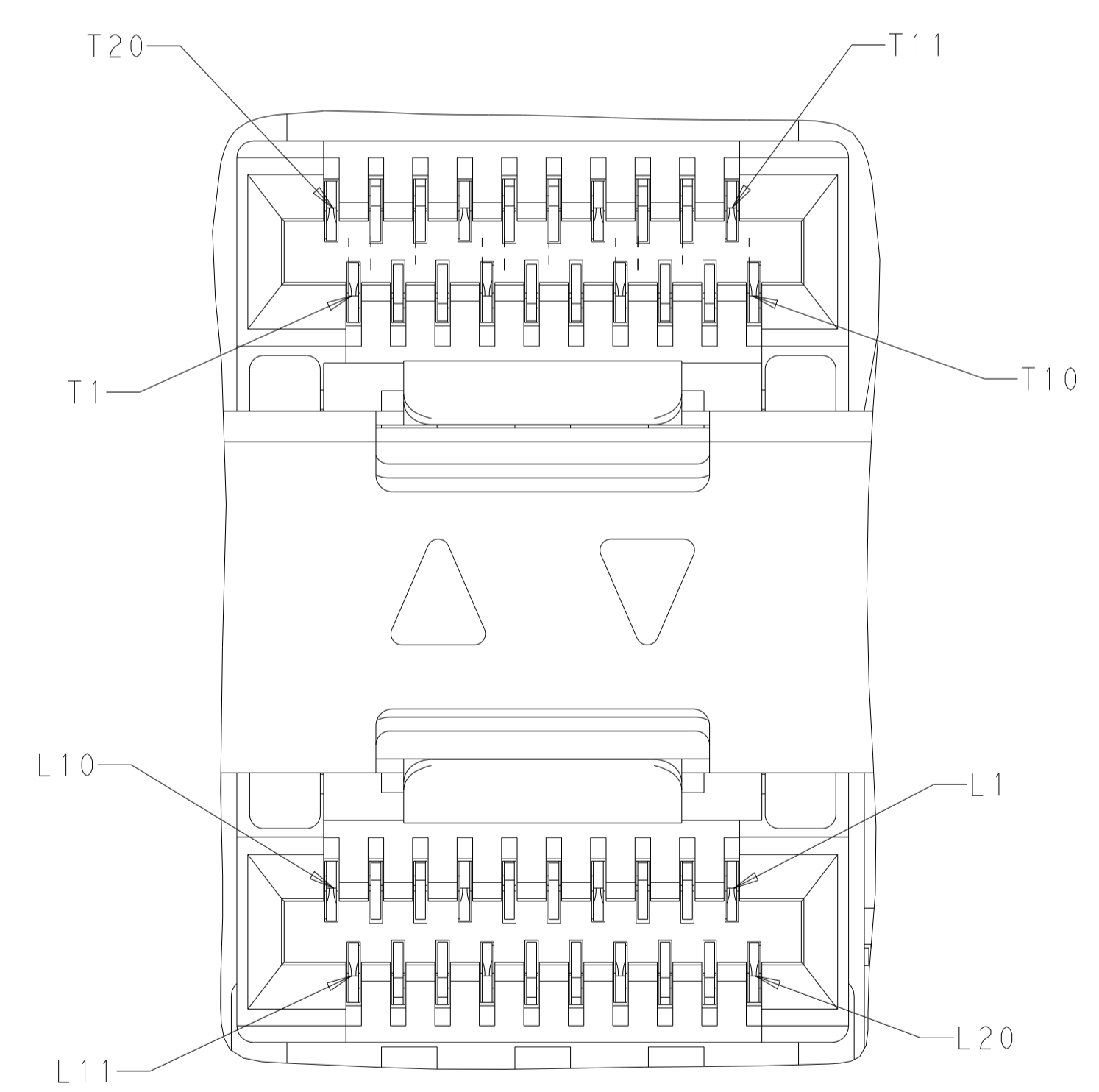
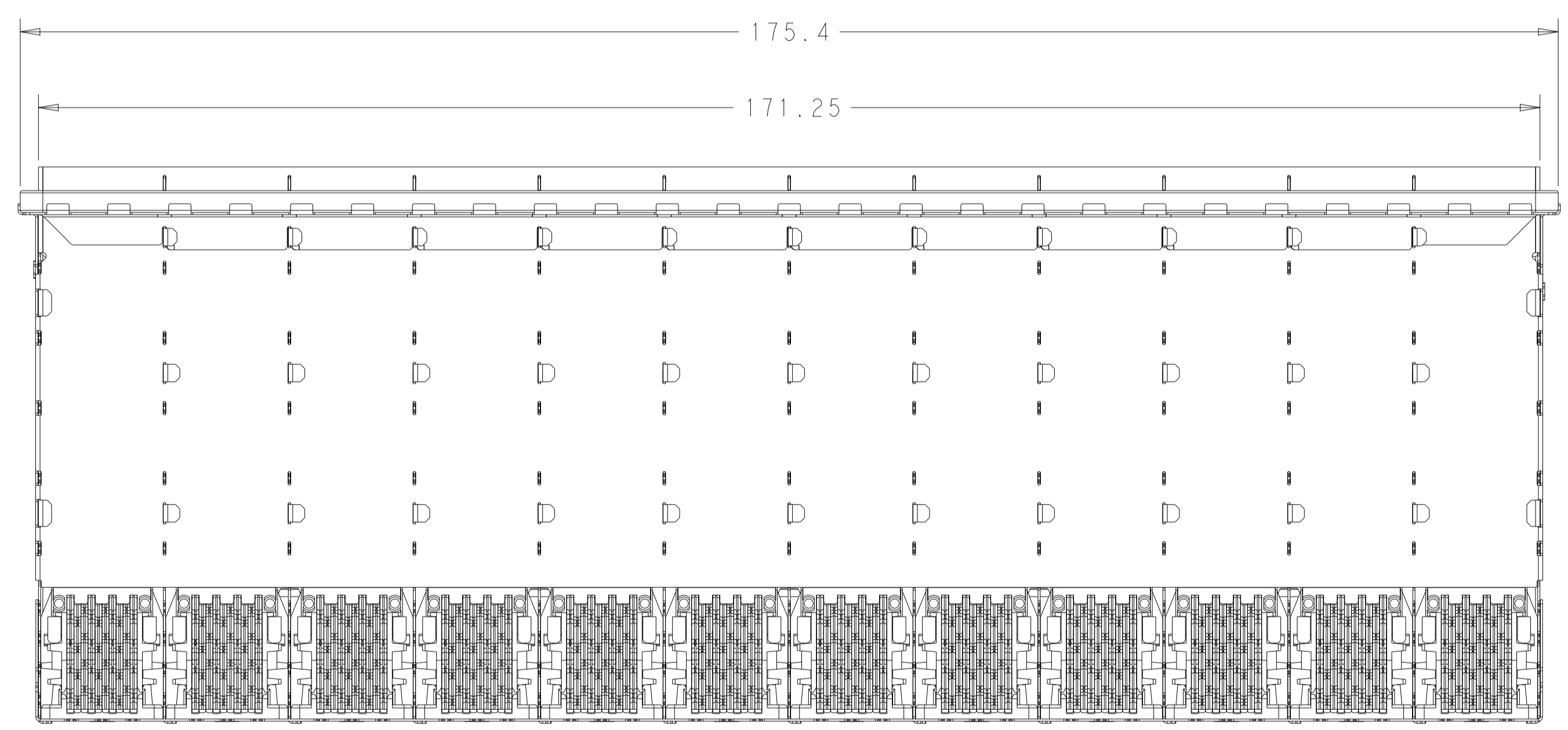
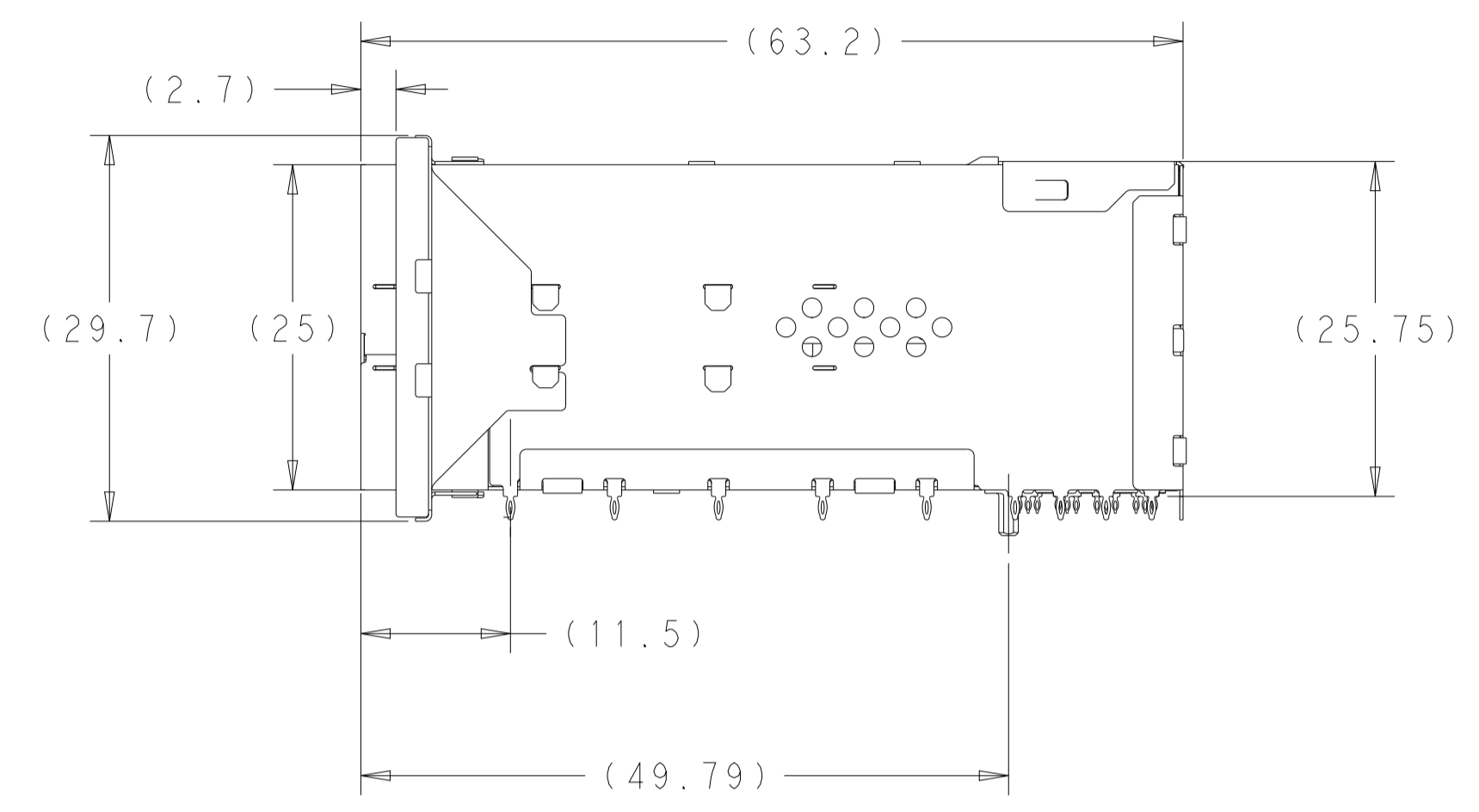
DETAIL A
 SCALE 6:1

| | | | |
|--|--|---|--|
| THIS DRAWING IS A CONTROLLED DOCUMENT. | | DWN J. WANG 27FEB2019 | TE Connectivity |
| DIMENSIONS: | | CHK S. HAN 27FEB2019 | |
| mm | TOLERANCES UNLESS OTHERWISE SPECIFIED: | APVD S. HAN 27FEB2019 | NAME RECEPTACLE ASSEMBLY, 2X12, STACKED, SFP56 |
| | 0 PLC ±0.25 1 PLC ±0.25 2 PLC ±0.25 3 PLC ±0.25 4 PLC ±0.25 ANGLES ±° FINISH ±5° | PRODUCT SPEC 108-2431 APPLICATION SPEC 114-13319 | SIZE A1 |
| MATERIAL SEE NOTES | SEE NOTES | WEIGHT - | RESTRICTED TO CUSTOMER DRAWING |
| | | SCALE 2:1 | SHEET 4 OF 8 |
| | | DRAWING NO. C=2349201 | REV B1 |

| LOC | | DIST | | REVISIONS | | | | |
|-----|-----|------|-----|-----------|-------------|------|-----|------|
| P | LTN | DATE | DMN | APVD | DESCRIPTION | DATE | DMN | APVD |
| - | - | - | - | - | SEE SHEET 1 | - | - | - |



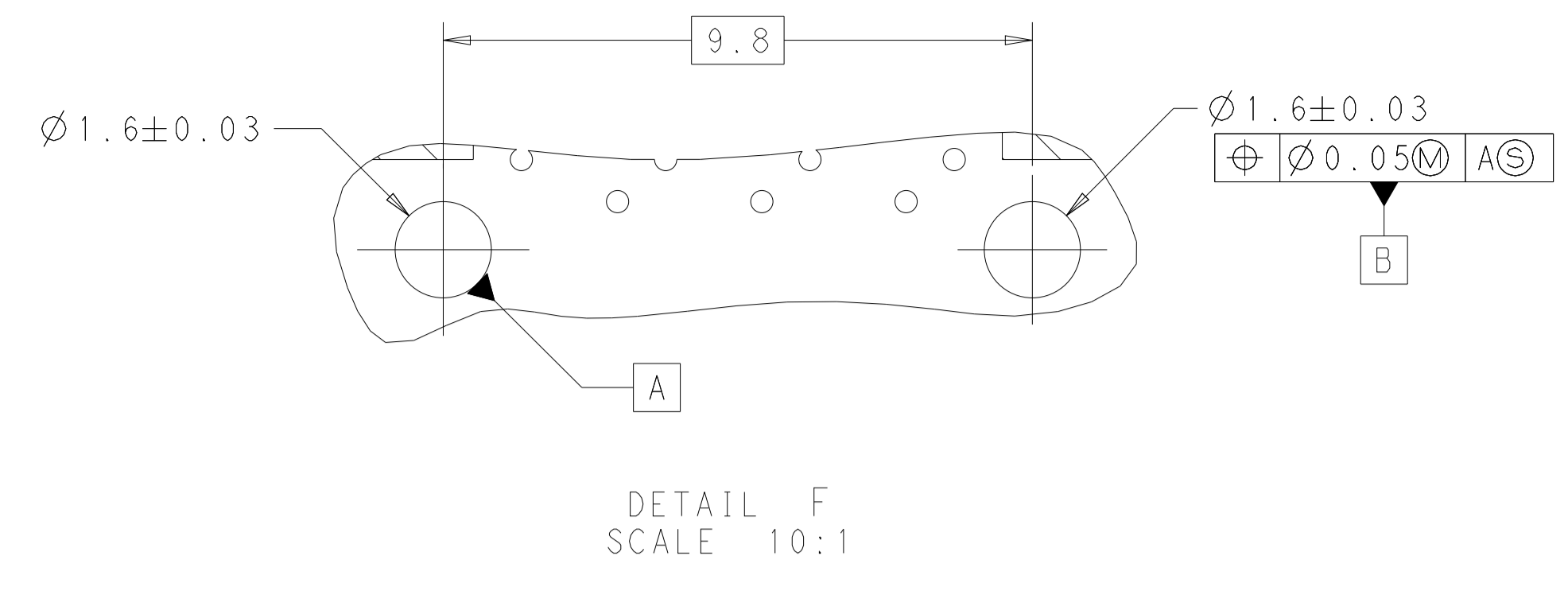
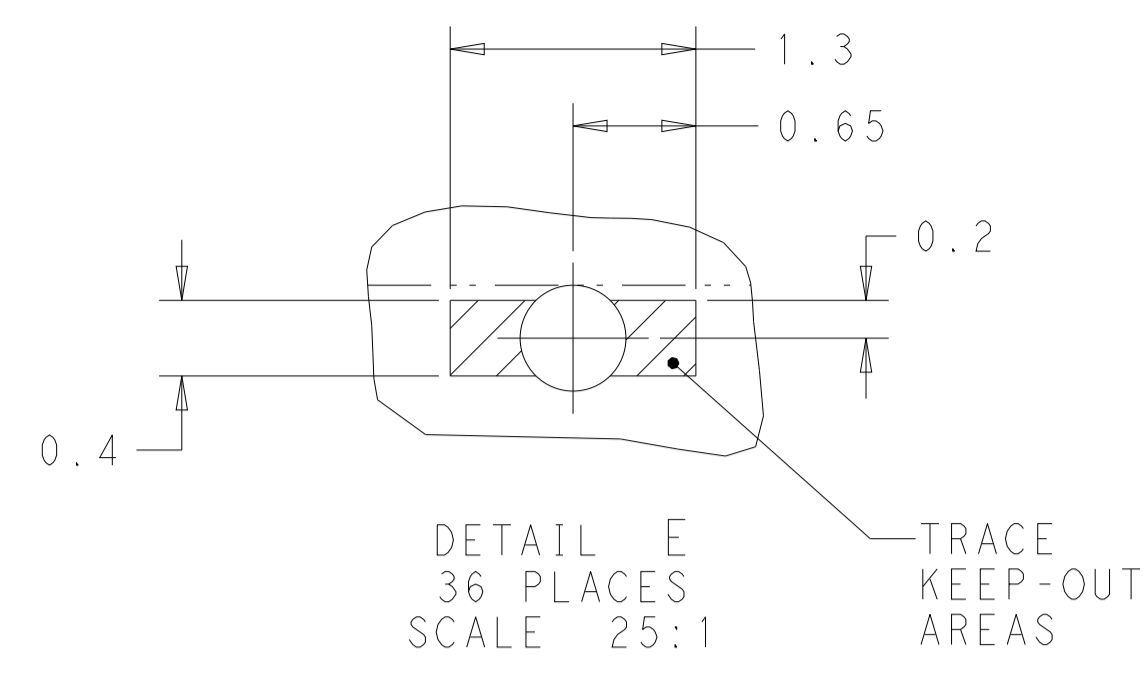
EMI GASKET VERSION



DETAIL G
 12X INDIVIDUALLY
 SCALE 10:1

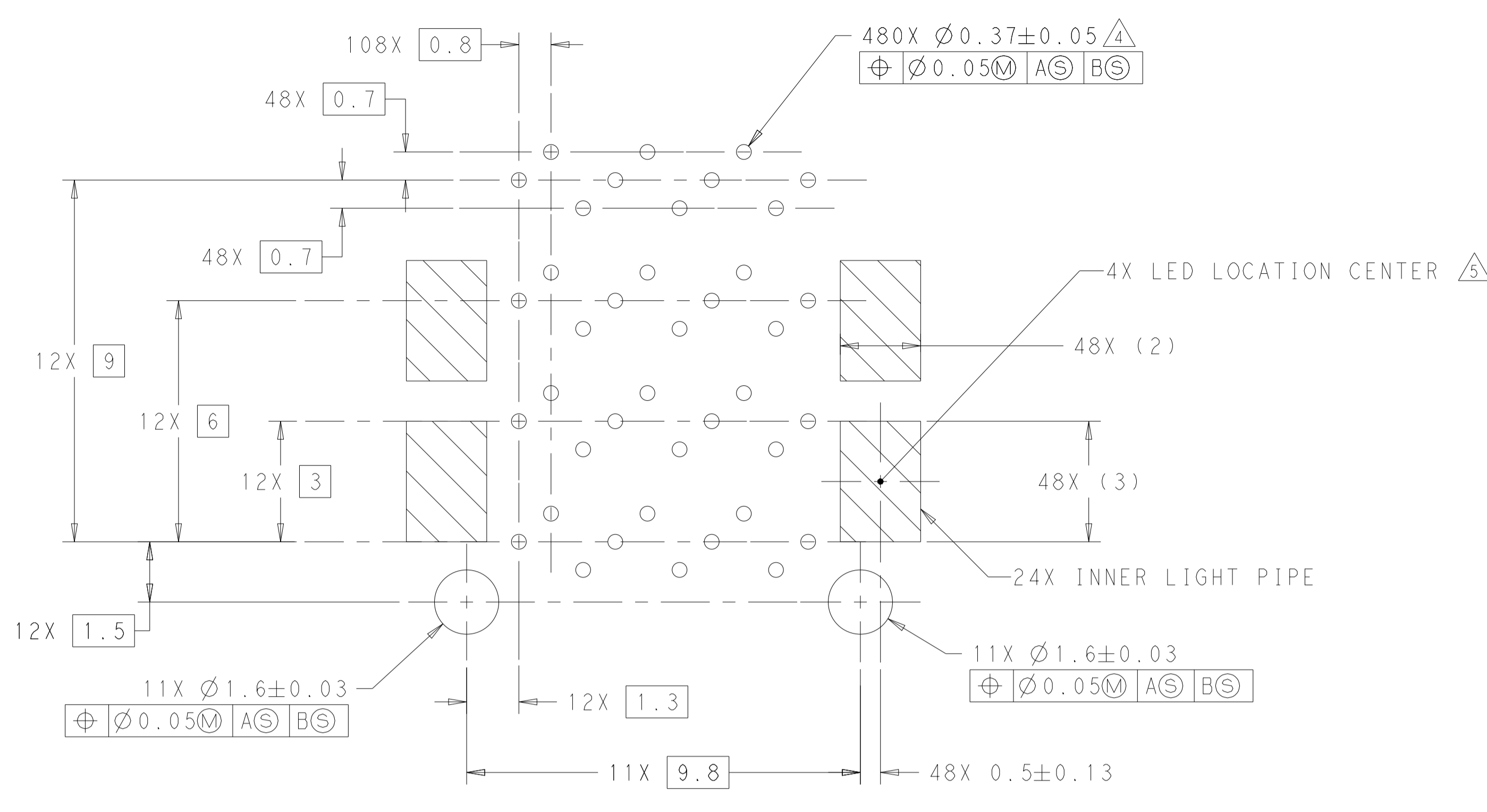
| | | | |
|--|--|------------------------|--|
| THIS DRAWING IS A CONTROLLED DOCUMENT. DIMENSIONING AND TOLERANCING PER ASME Y14.5M-2009. | | DMN: J. WANG 27FEB2019 | TE Connectivity NAME: RECEPTACLE ASSEMBLY, 2X12, STACKED, SFP56 PRODUCT SPEC: 108-2431 APPLICATION SPEC: 114-13319 WEIGHT: - SCALE: 2:1 SHEET 5 OF 8 REV B1 |
| DIMENSIONS: mm | | CHK: S. HAN 27FEB2019 | |
| TOLERANCES UNLESS OTHERWISE SPECIFIED: | | APVD: S. HAN 27FEB2019 | |
| 0 PLC ±0.25 1 PLC ±0.25 2 PLC ±0.25 3 PLC ±0.25 4 PLC ±0.25 ANGLES ±° FINISH ±5° | | RESTRICTED TO: - | |
| MATERIAL: SEE NOTES | | CUSTOMER DRAWING | SIZE: A100779 CAGE CODE: C=2349201 |

| LOC | DIST | REVISIONS | | | | | |
|-----|------|-----------|-----|-------------|------|-----|------|
| GP | 00 | P | LYR | DESCRIPTION | DATE | OWN | APVD |
| | | - | | SEE SHEET 1 | | | |

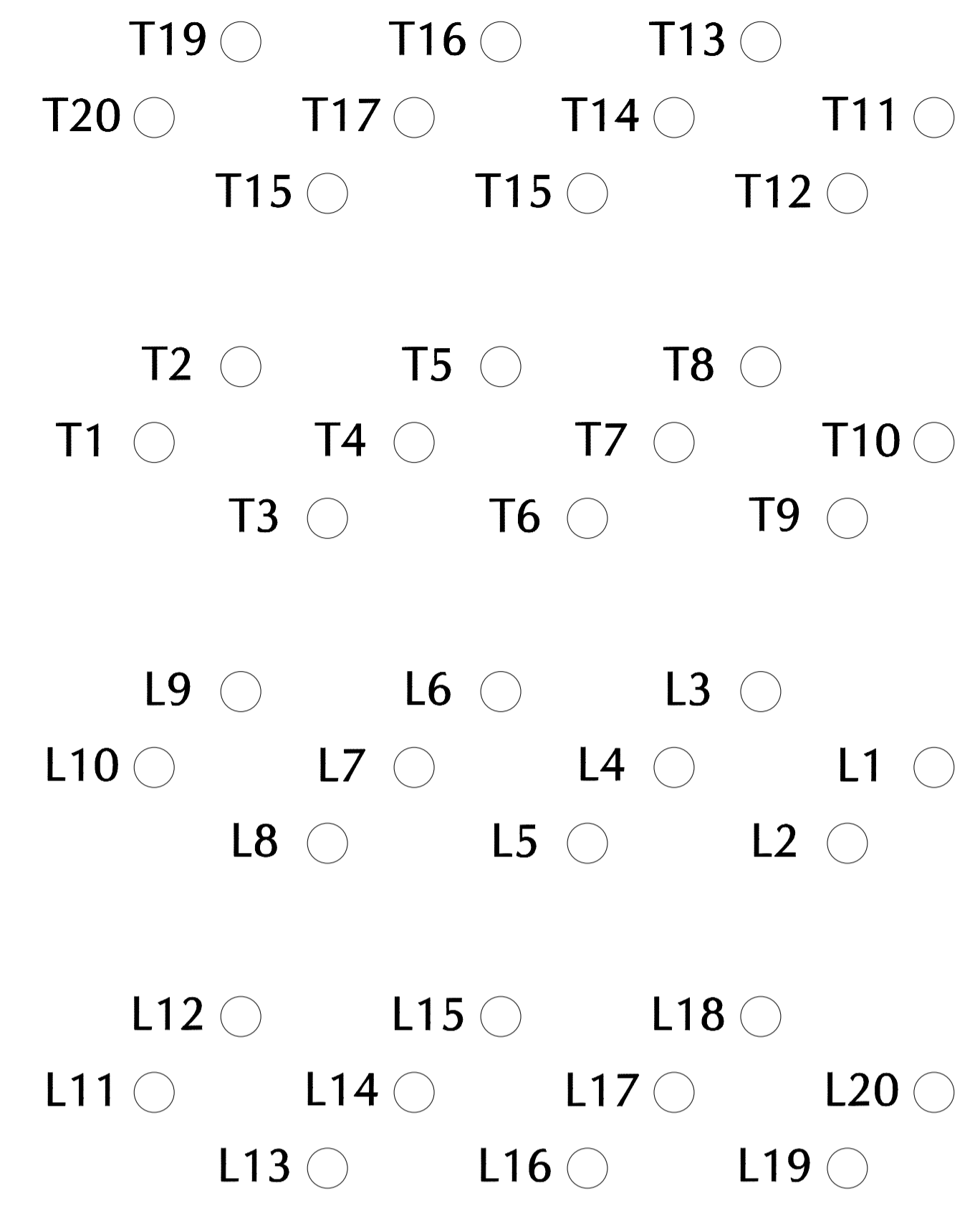


| | | | |
|---|-------------|-----------------------------|---|
| THIS DRAWING IS A CONTROLLED DOCUMENT. DIMENSIONING AND TOLERANCING PER ASME Y14.5M-2009. | | OWN: J. WANG 27FEB2019 | TE Connectivity |
| DIMENSIONS: mm | | CHK: S. HAN 27FEB2019 | |
| TOLERANCES UNLESS OTHERWISE SPECIFIED: | | APVD: S. HAN 27FEB2019 | NAME: RECEPTACLE ASSEMBLY, 2X12, STACKED, SFP56 |
| 0 PLC ±0.25 | 1 PLC ±0.25 | PRODUCT SPEC: 108-2431 | SIZE: A1 |
| 2 PLC ±0.25 | 3 PLC ±0.25 | APPLICATION SPEC: 114-13319 | CAGE CODE: C=2349201 |
| 4 PLC ±0.25 | ANGLES ±5° | FINISH: - | RESTRICTED TO: - |
| MATERIAL: SEE NOTES | WEIGHT: - | CUSTOMER DRAWING | SCALE: 2:1 SHEET 6 OF 8 REV: B1 |

| LOC | DIST | REVISIONS | | | | | |
|-----|------|-----------|-----|-------------|------|-----|------|
| GP | 00 | P | LTN | DESCRIPTION | DATE | DMN | APVD |
| | | - | | SEE SHEET 1 | | | |

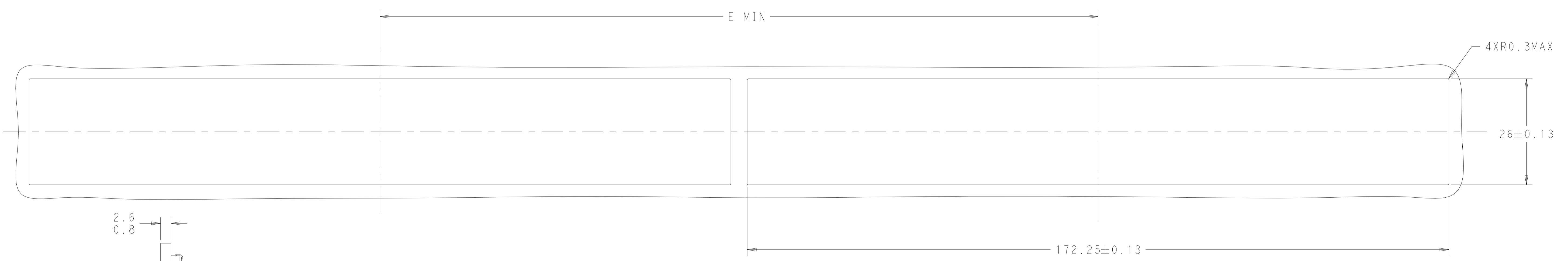


DETAIL C
 RECOMMENDED PIN AND LIGHT PIPE LAYOUT
 SCALE 10:1

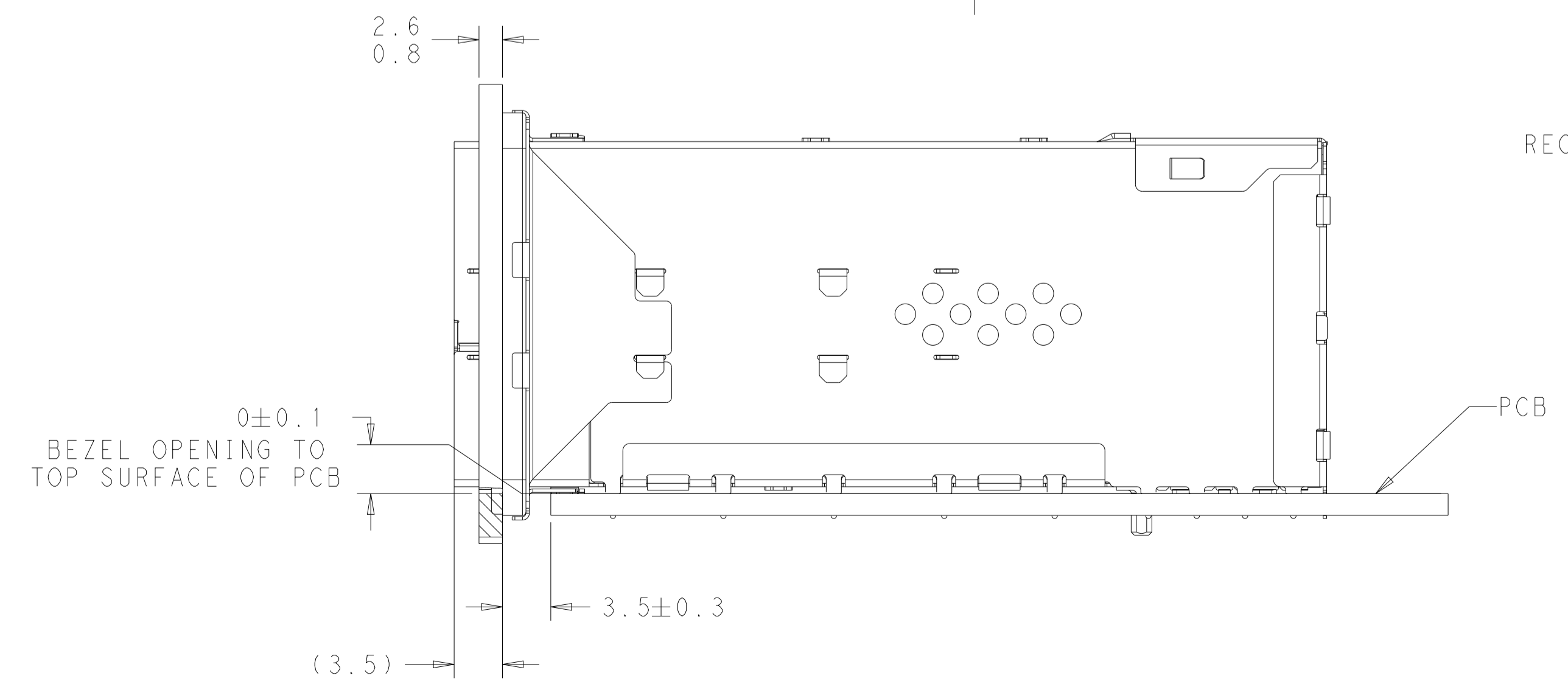


DETAIL D
 PIN MAP
 12 PLACES
 SCALE 20:1

| PIN MAP LEGEND | |
|----------------|------------|
| PIN NUMBER | FUNCTION |
| L1/T1 | VEET |
| L2/T2 | TX-FAULT |
| L3/T3 | TX-DISABLE |
| L4/T4 | SDA |
| L5/T5 | SCL |
| L6/T6 | MOD_ABS |
| L7/T7 | RS0 |
| L8/T8 | RX_LOS |
| L9/T9 | RS1 |
| L10/T10 | VEER |
| L11/T11 | VEER |
| L12/T12 | RD- |
| L13/T13 | RD+ |
| L14/T14 | VEER |
| L15/T15 | VCCR |
| L16/T16 | VCCT |
| L17/T17 | VEET |
| L18/T18 | TD+ |
| L19/T19 | TD- |
| L20/T20 | VEET |



RECOMMENDED BEZEL CUT OUT DETAIL



RECOMMENDED BEZEL LOCATION WITH EMI GASKET
 SCALE 3:1

THIS DRAWING IS A CONTROLLED DOCUMENT. DIMENSIONING AND TOLERANCING PER ASME Y14.5M-2009.

| | | | |
|-------------|--|------------------------|---|
| DIMENSIONS: | TOLERANCES UNLESS OTHERWISE SPECIFIED: | DMN: J. WANG 27FEB2019 | TE Connectivity |
| mm | 0 PLC ±0.25 | CHK: S. HAN 27FEB2019 | |
| | 1 PLC ±0.25 | APVD: S. HAN 27FEB2019 | |
| | 2 PLC ±0.25 | PRODUCT SPEC | |
| | 3 PLC ±0.25 | APPLICATION SPEC | NAME: RECEPTACLE ASSEMBLY, 2X12, STACKED, SFP56 |
| | 4 PLC ±0.25 | RESTRICTED TO: | SIZE: A1 |
| MATERIAL: | FINISH: ±5° | WEIGHT: | CAGE CODE: 108-2431 |
| SEE NOTES | SEE NOTES | CUSTOMER DRAWING | DRAWING NO: 114-13319 |
| | | | DRAWING NO: 00779 |
| | | | DRAWING NO: 2349201 |
| | | | SCALE: 2:1 |
| | | | SHEET 7 OF 8 |
| | | | REV: B1 |

8

7

6

5

4

3

2

1

THIS DRAWING IS UNPUBLISHED. RELEASED FOR PUBLICATION 20
 © COPYRIGHT 20 BY TYCO ELECTRONICS ALL RIGHTS RESERVED.

| LOC | DIST | REVISIONS | | | | | |
|-----|------|-----------|-----|-------------|------|-----|------|
| | | REV | LTN | DESCRIPTION | DATE | DWN | APVD |
| GP | 00 | - | | SEE SHEET 1 | - | - | - |
| | | | | | | | |
| | | | | | | | |

| | | | | |
|--|--|--|-----------|---|
| THIS DRAWING IS A CONTROLLED DOCUMENT. | | OWN J. WANG | 27FEB2019 | |
| | | CHK S. HAN | 27FEB2019 | |
| DIMENSIONS: | | TOLERANCES UNLESS OTHERWISE SPECIFIED: | | NAME RECEPTACLE ASSEMBLY, 2X12, STACKED, SFP56 |
| mm | | 0 PLC | ±0.25 | |
| | | 1 PLC | ±0.25 | |
| | | 2 PLC | ±0.25 | |
| | | 3 PLC | ±0.25 | PRODUCT SPEC 108-2431 |
| | | 4 PLC | ±0.25 | APPLICATION SPEC |
| | | ANGLES | ±° | SIZE 114-13319 |
| | | FINISH | ±5° | CAGE CODE A100779 |
| MATERIAL SEE NOTES | | WEIGHT - | | DRAWING NO C=2349201 |
| | | CUSTOMER DRAWING | | RESTRICTED TO - |
| | | SCALE 2:1 | | SHEET 8 OF 8 |
| | | | | REV B1 |

X-ON Electronics

Largest Supplier of Electrical and Electronic Components

Click to view similar products for [I/O Connectors](#) category:

Click to view products by [TE Connectivity](#) manufacturer:

Other Similar products are found below :

[571763P](#) [58098-0628](#) [72.250.1628.2](#) [72.250.2428.2](#) [74720-0505](#) [76.350.0729.0](#) [76871-1403](#) [FCN-244F080-G/1](#) [FCN-260A9920](#) [PCR-E36PM](#) [PCS-XE26MA+](#) [G38A71314B](#) [1571250010](#) [157-22500-3](#) [MS3471L14-19P L/C](#) [172501-4002](#) [172501-6002](#) [FCN-260C008-A/L0](#) [FCN-260C024-AL0](#) [FCN-261Z008](#) [2000314-1](#) [200331-1](#) [PCR-E36FC+](#) [PCS-E28FS+](#) [PCS-XE26SLFD+](#) [PCS-XE26SLFDT+](#) [G730VID08BDC24](#) [U90B2054081210](#) [38113800006](#) [DP3AR020WQ1R200](#) [Z4.102.0680.0](#) [500-1040](#) [500-1052](#) [500-1054](#) [ZP-4008-66L](#) [0709821002](#) [DX40-20P\(55\)](#) [5554841-1](#) [MS3474W18-8P-LC*](#) [U90B3054061110](#) [U65-E04-4020](#) [ZPF000000000097891](#) [747360449](#) [10099439-003C-TRLF](#) [10137239-0021LF](#) [E9320-001-01](#) [10137239-0011LF](#) [70289-001LF](#) [70.060.1028.0](#) [109029-ZZ](#)