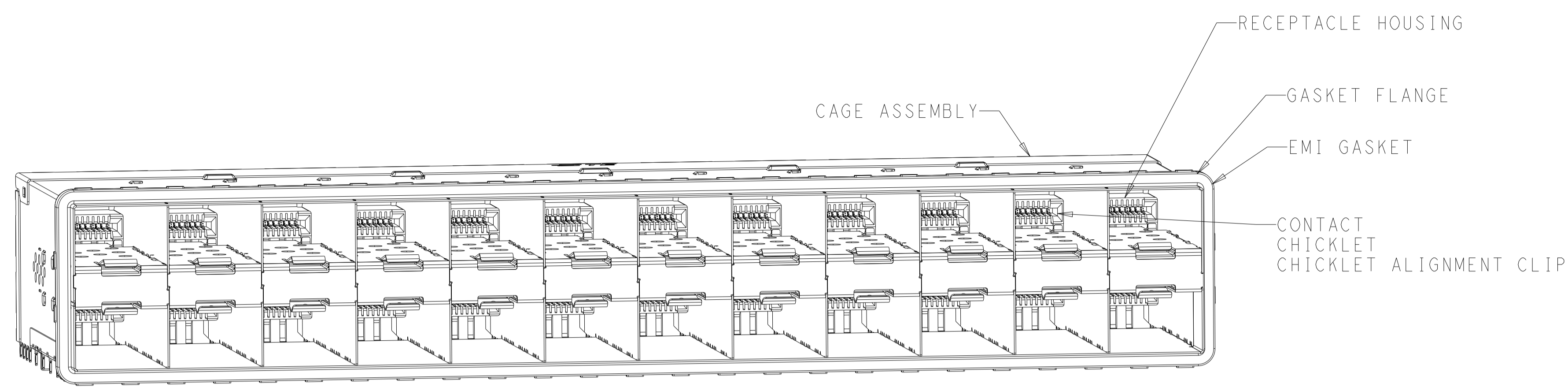
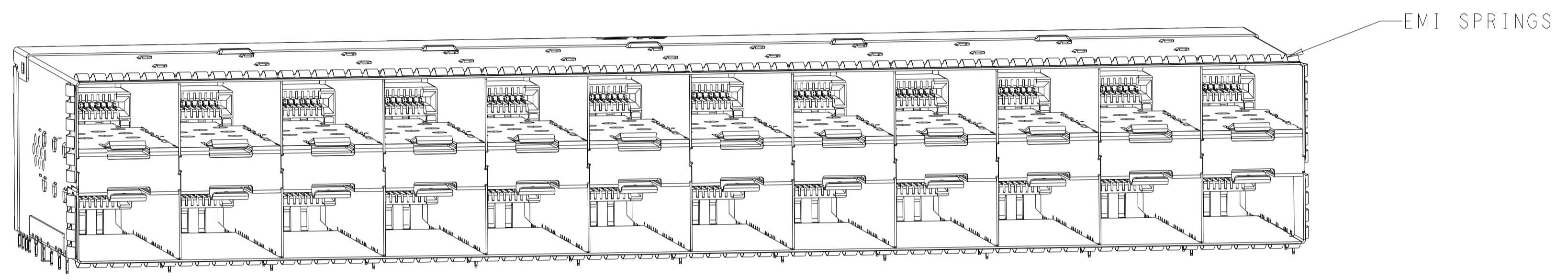


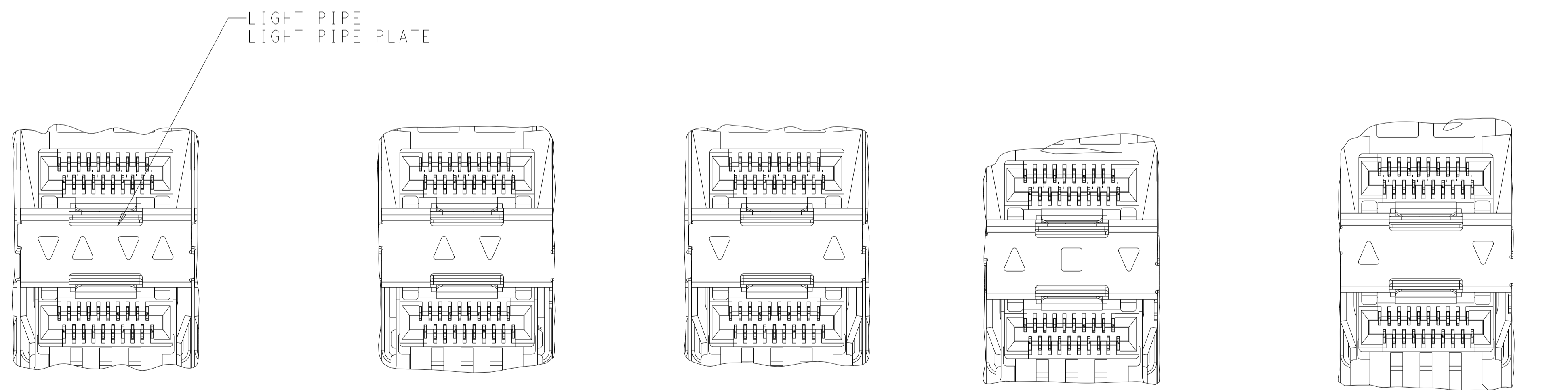
LOC		DIST		REVISIONS			
GP	00	P	LTN	DESCRIPTION	DATE	DWN	APVD
		A		PRODUCTION RELEASE	05JUN2019	JW	SH
		B		REVISED PER ECO-20-014521	13OCT2020	JY	SH
		B1		ADD PN 2-2349201-3,2-2349201-4	23APR2021	SZ	SZ



2349201-1



2349201-5



INNER/OUTER LIGHT PIPE  
2349201-2, 2349201-6  
SCALE 4:1

INNER LIGHT PIPE  
2349201-3, 2349201-7  
SCALE 4:1

OUTER LIGHT PIPE  
2349201-4, 2349201-8  
SCALE 4:1

CENTER/  
REVERSE OUTER LIGHT PIPE  
1-2349201-7, 1-2349201-9  
SCALE 4:1

REVERSE OUTER LIGHT PIPE  
1-2349201-8, 2-2349201-0  
SCALE 4:1

- MATERIALS:  
 CAGE ASSEMBLY - NICKEL-SILVER ALLOY PER ASTM B 122  
 RECEPTACLE HOUSING - LCP, BLACK, UL 94V-O RATED  
 CHICKLET - LCP, BLACK, UL 94V-O RATED  
 CHICKLET ALIGNMENT CLIP - LCP, BLACK, UL94V-O RATED  
 CONTACT - COPPER ALLOY  
 EMI GASKET - ELASTOMERIC  
 GASKET FLANGE - STAINLESS STEEL  
 LIGHT PIPE - POLYCARBONATE  
 LIGHT PIPE PLATE - STAINLESS STEEL  
 EMI SPRINGS - PHOSPHOR BRONZE PER ASTM B103  
 INSULATOR TAPE: KAPTON
  - CONTACT FINISH:  
 0.76µm MIN GOLD PER ASTM B 844 AT MATING INTERFACE,  
 1.25µm MIN MATTE TIN PER ASTM B 545 AT PCB INTERFACE  
 ALLOVER 2.54µm MIN NICKEL PER QQ-N-290.
  - PCB MINIMUM THICKNESS = 1.5mm
- ⚠ FOR HOLE SIZE AND PLATINGS,  
SEE APPLICATION SPECIFICATION 114-13319
- ⚠ LIGHT PIPE PAD LAYOUT IS FOR 0805 LOW PROFILE  
LED PACKAGE WITH A HEIGHT OF 0.8mm
- ⚠ THE ENTIRE AREA OF THE CONNECTOR FOOTPRINT, INDICATED BY THE  
DASHED LINE, TO BE CONSIDERED THE KEEPOUT AREA FOR COMPONENTS  
AND SIGNAL TRACES, TOP SIDE ONLY, TOP SIDE TRACES ALLOWED  
WITHIN CONNECTOR HOLE PATTERN
- ⚠ DIMENSION APPLIES FROM EMI SPRINGS ONLY.

173.5	EMI SPRINGS	NONE, AIRFLOW ENHANCE	2-2349201-4
		INNER, AIRFLOW ENHANCE	2-2349201-3
173.5	EMI SPRINGS	NONE, AIRFLOW ENHANCE WITH INSULATOR TAPE	2-2349201-2
		NONE, AIRFLOW ENHANCE	2-2349201-1
173.5	EMI SPRINGS	REVERSED OUTER	2-2349201-0
		CENTER/REVERSED OUTER	1-2349201-9
176.25	EMI GASKET	REVERSED OUTER	1-2349201-8
		CENTER/REVERSED OUTER	1-2349201-7
173.5	EMI SPRINGS	OUTER	2349201-8
		INNER	2349201-7
		INNER/OUTER	2349201-6
176.25	EMI GASKET	NONE	2349201-5
		OUTER	2349201-4
		INNER	2349201-3
(E)	CAGE TYPE	INNER/OUTER	2349201-2
		NONE	2349201-1
		LIGHT PIPE CONFIGURATION	PART NUMBER

THIS DRAWING IS A CONTROLLED DOCUMENT. DIMENSIONING AND TOLERANCING PER ASME Y14.5M-2009

DIMENSIONS: mm  
 TOLERANCES UNLESS OTHERWISE SPECIFIED:  
 0 PLC ±0.25  
 2 PLC ±0.25  
 3 PLC ±0.25  
 4 PLC ±0.25  
 ANGLES ±°  
 FINISH ±°

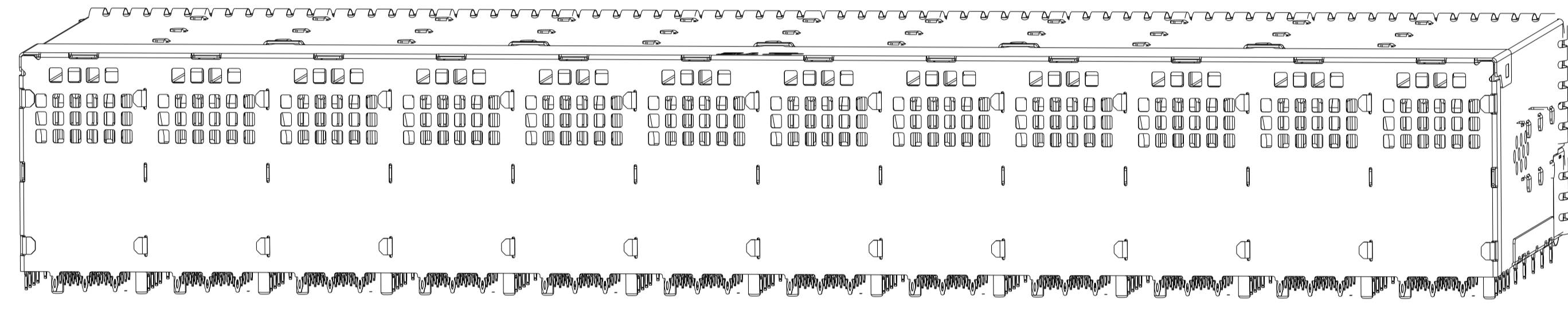
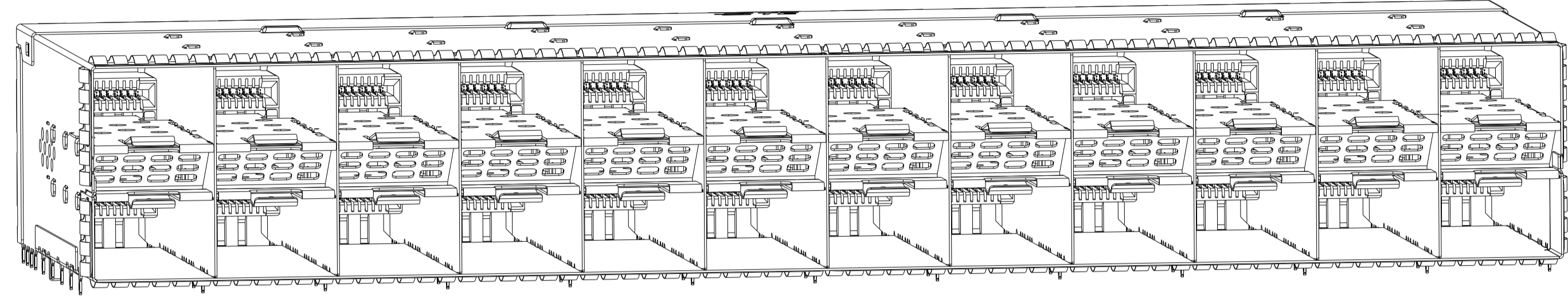
MATERIAL: SEE NOTES  
 WEIGHT: -  
 CUSTOMER DRAWING

DWN: J. WANG 27FEB2019  
 CHK: S. HAN 27FEB2019  
 APVD: S. HAN 27FEB2019  
 NAME: RECEPTACLE ASSEMBLY, 2X12, STACKED, SFP56  
 PRODUCT SPEC: 108-2431  
 APPLICATION SPEC: 114-13319  
 SIZE: A1  
 CAGE CODE: 00779  
 DRAWING NO: 2349201  
 RESTRICTED TO: -  
 SCALE: 2:1  
 SHEET: 1 OF 8  
 REV: B1

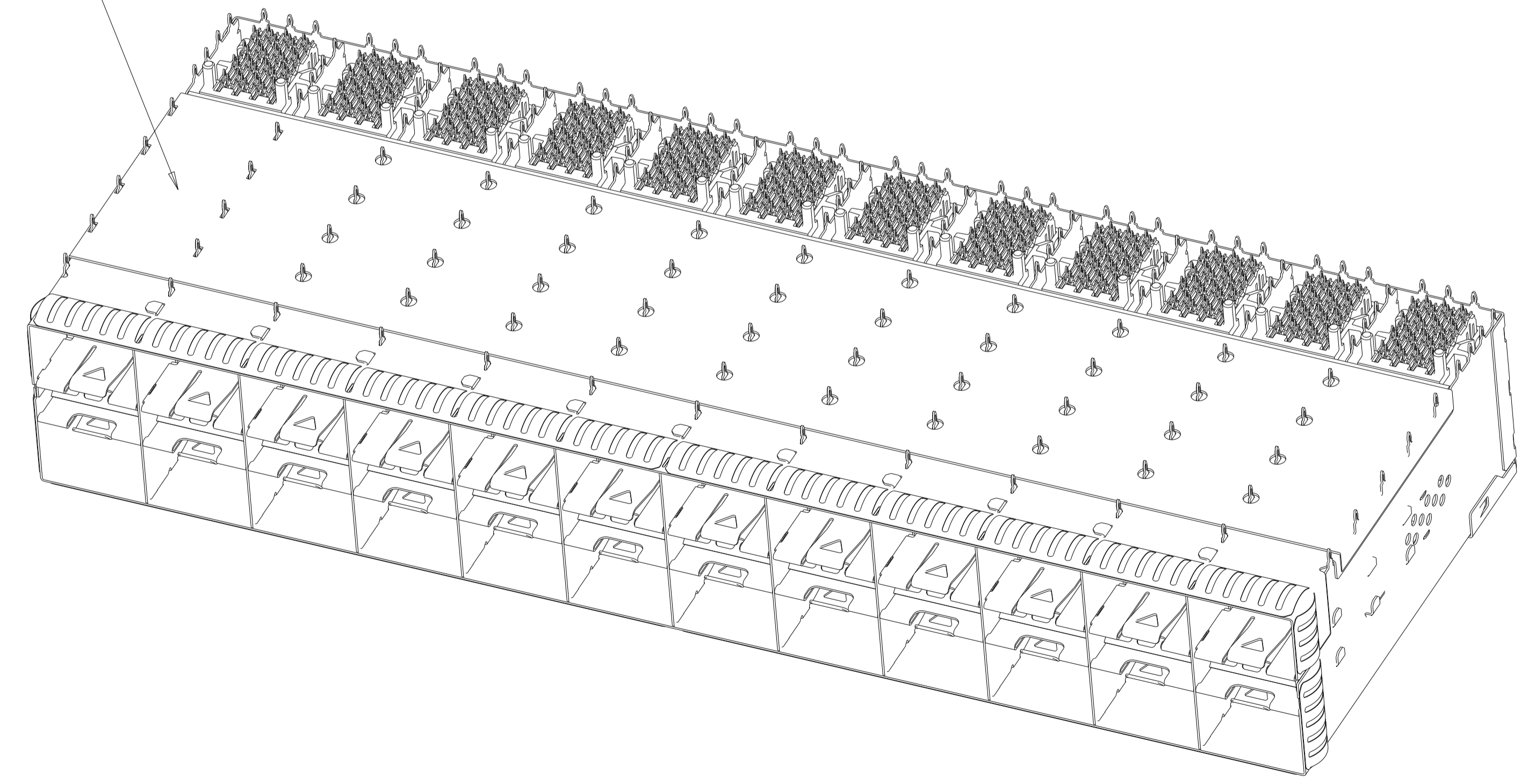
TE Connectivity

LOC	DIST	REVISIONS					
GP	00	P	LYR	DESCRIPTION	DATE	DWN	APVD
		-		SEE SHEET 1			

2-2349201-1/2-2349201-2 AIR FLOW ENHANCE VERSION  
UNMARKED DIMESIONS ARE SAME AS 2349201-7



INSULATOR TAPE  
ONLY FOR 2-2349201-2



SCALE 2:1

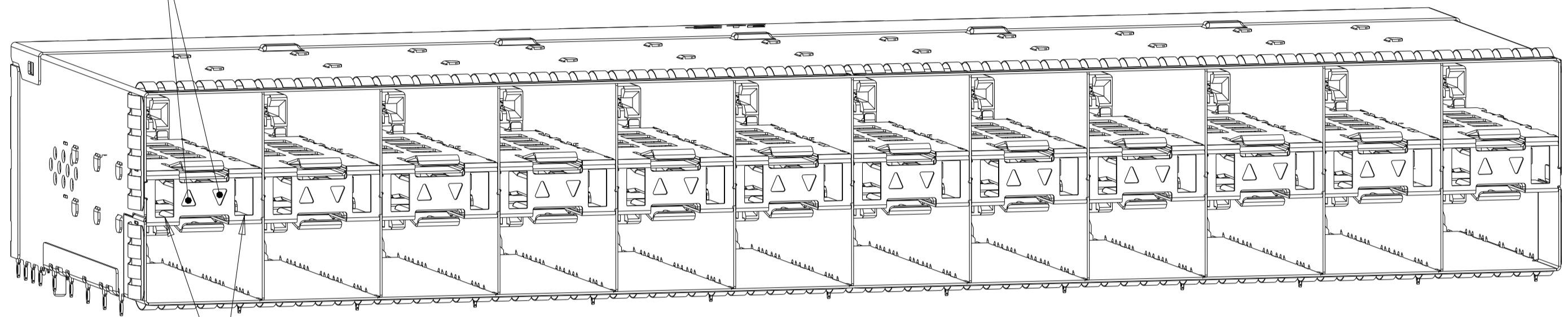
THIS DRAWING IS A CONTROLLED DOCUMENT.		DWN J. WANG 27FEB2019	
DIMENSIONS:		CHK S. HAN 27FEB2019	
mm	TOLERANCES UNLESS OTHERWISE SPECIFIED:	APVD S. HAN 27FEB2019	NAME RECEPTACLE ASSEMBLY, 2X12, STACKED, SFP56
	0 PLC ±0.25 1 PLC ±0.25 2 PLC ±0.25 3 PLC ±0.25 4 PLC ±0.25 ANGLES ±° FINISH ±5°	PRODUCT SPEC 108-2431 APPLICATION SPEC 114-13319	SIZE A1
MATERIAL SEE NOTES	SEE NOTES	WEIGHT -	RESTRICTED TO CUSTOMER DRAWING
		CAGE CODE 100779	DRAWING NO C=2349201
		SCALE 2:1	SHEET 2 OF 8
			REV B1

LOC		DIST		REVISIONS			
P	LYR	DESCRIPTION	DATE	DWN	APVD		
-		SEE SHEET 1	-	-	-		

2-2349201-3 AIR FLOW ENHANCE VERSION  
UNMARKED DIMENSIONS ARE SAME AS 2-2349201-1

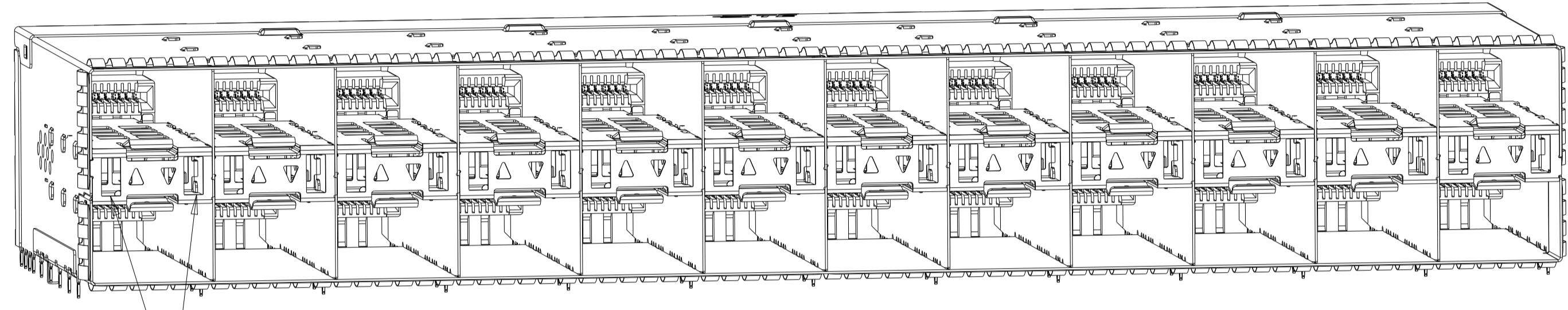
2-2349201-4 AIR FLOW ENHANCE VERSION  
UNMARKED DIMENSIONS ARE SAME AS 2-2349201-1

INNER LIGHT PIPE



CUSTOMIZED VENT HOLES

SCALE 2:1

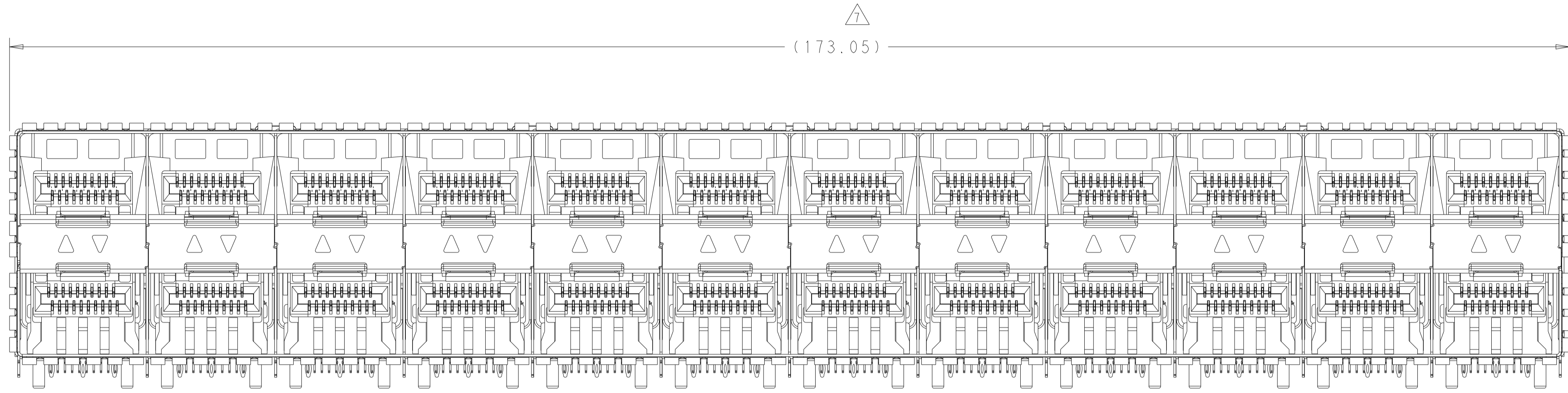


CUSTOMIZED VENT HOLES

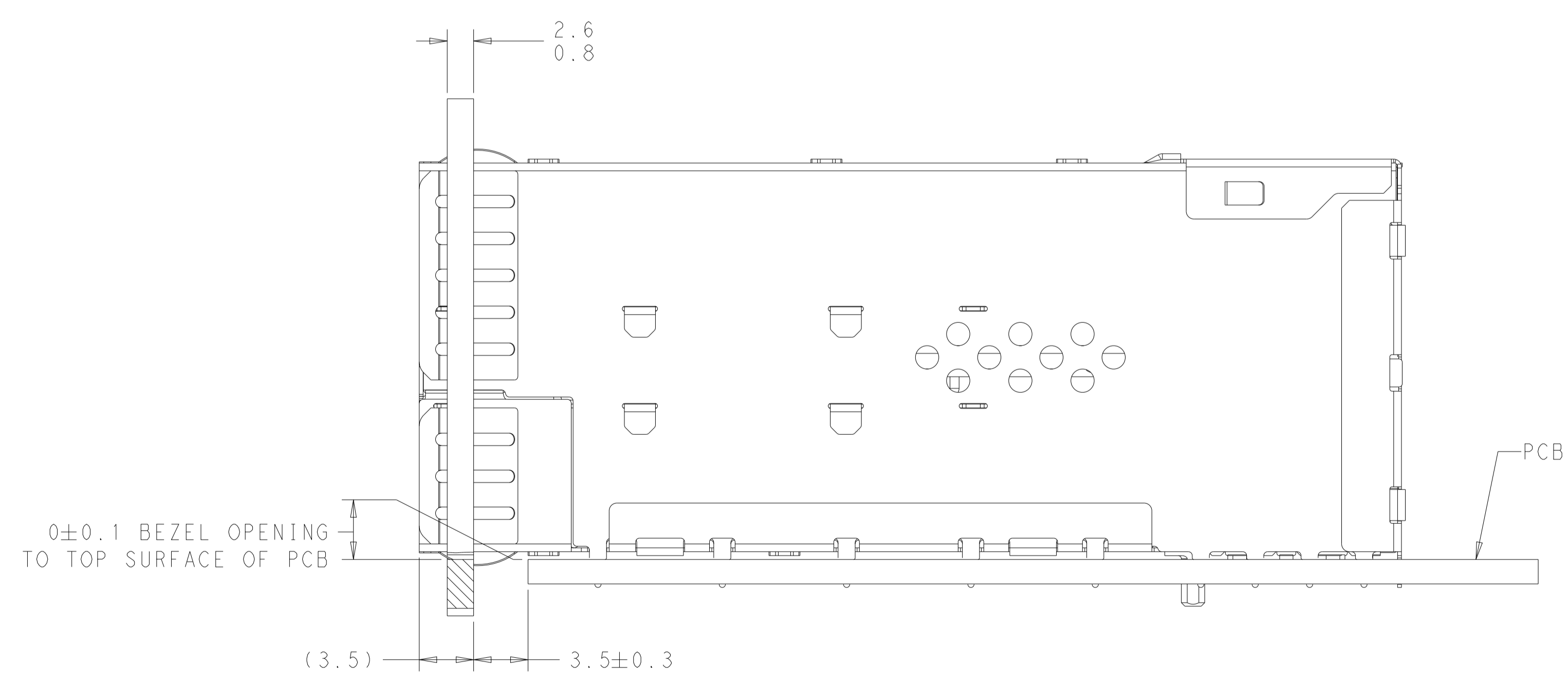
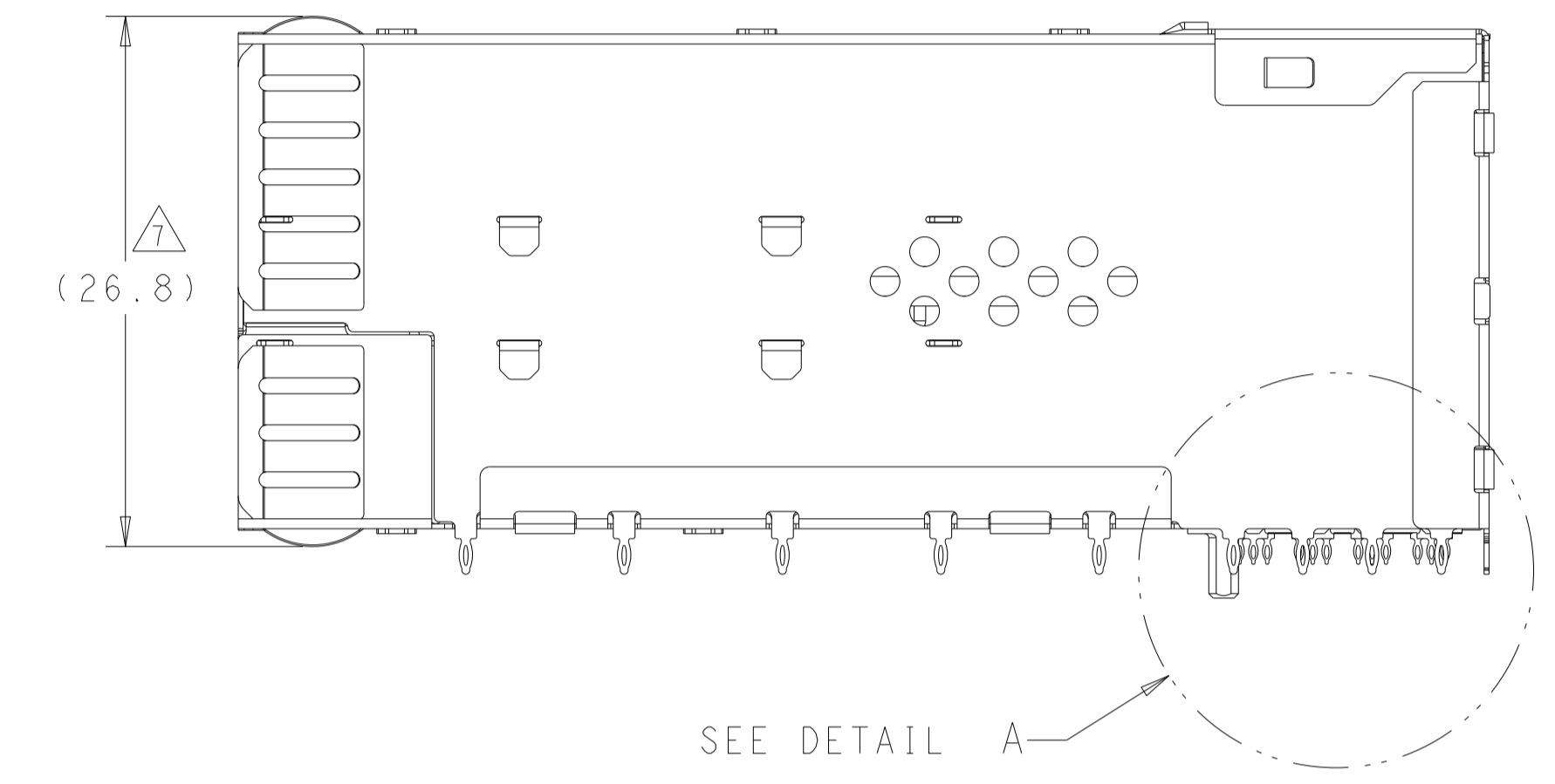
SCALE 2:1

THIS DRAWING IS A CONTROLLED DOCUMENT.		DWN J. WANG 27FEB2019	
DIMENSIONS: mm		CHK S. HAN 27FEB2019	
TOLERANCES UNLESS OTHERWISE SPECIFIED: 0 PLC ±0.25 1 PLC ±0.25 2 PLC ±0.25 3 PLC ±0.25 4 PLC ±0.25 ANGLES ±° FINISH ±5°		APVD S. HAN 27FEB2019	NAME RECEPTACLE ASSEMBLY, 2X12, STACKED, SFP56
MATERIAL SEE NOTES		PRODUCT SPEC 108-2431	SIZE A1
SEE NOTES		APPLICATION SPEC 114-13319	CAGE CODE 00779
		WEIGHT -	DRAWING NO C=2349201
		CUSTOMER DRAWING	RESTRICTED TO -
		SCALE 2:1	SHEET 3 OF 8
			REV B1

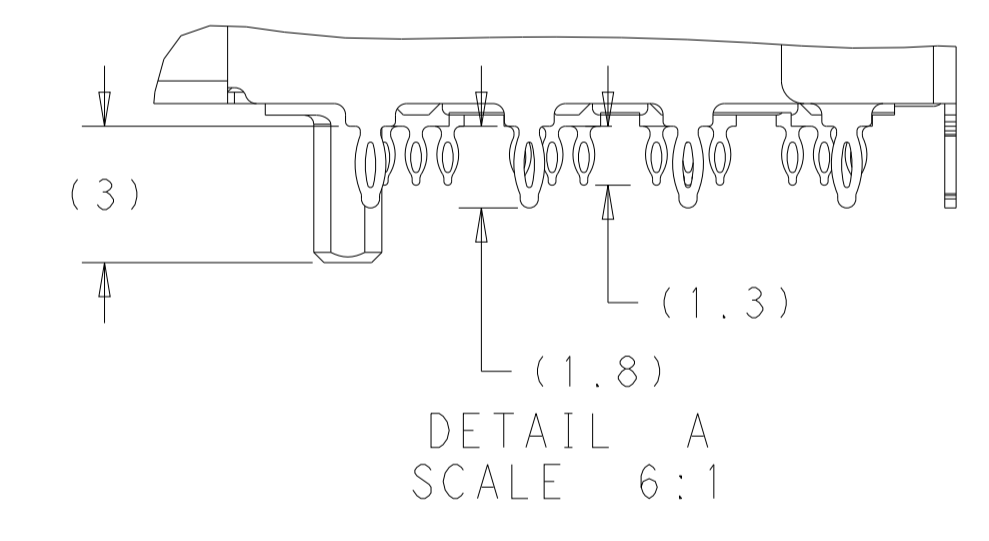
LOC	DIST	REVISIONS			
GP	00	REV	DATE	BY	APPV
-	-	SEE SHEET 1	-	-	-



2349201-7  
 EMI SPRINGS ONLY  
 SCALE 3:1

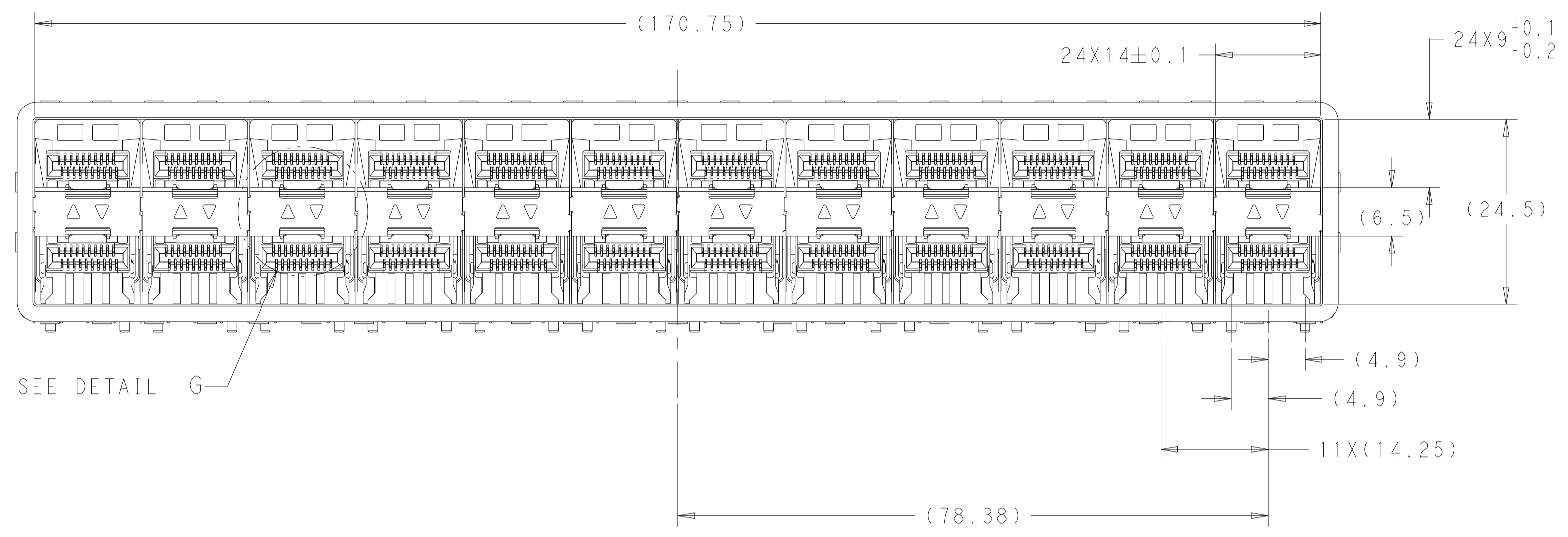


RECOMMENDED BEZEL LOCATION WITH EMI SPRINGS  
 SCALE 4:1

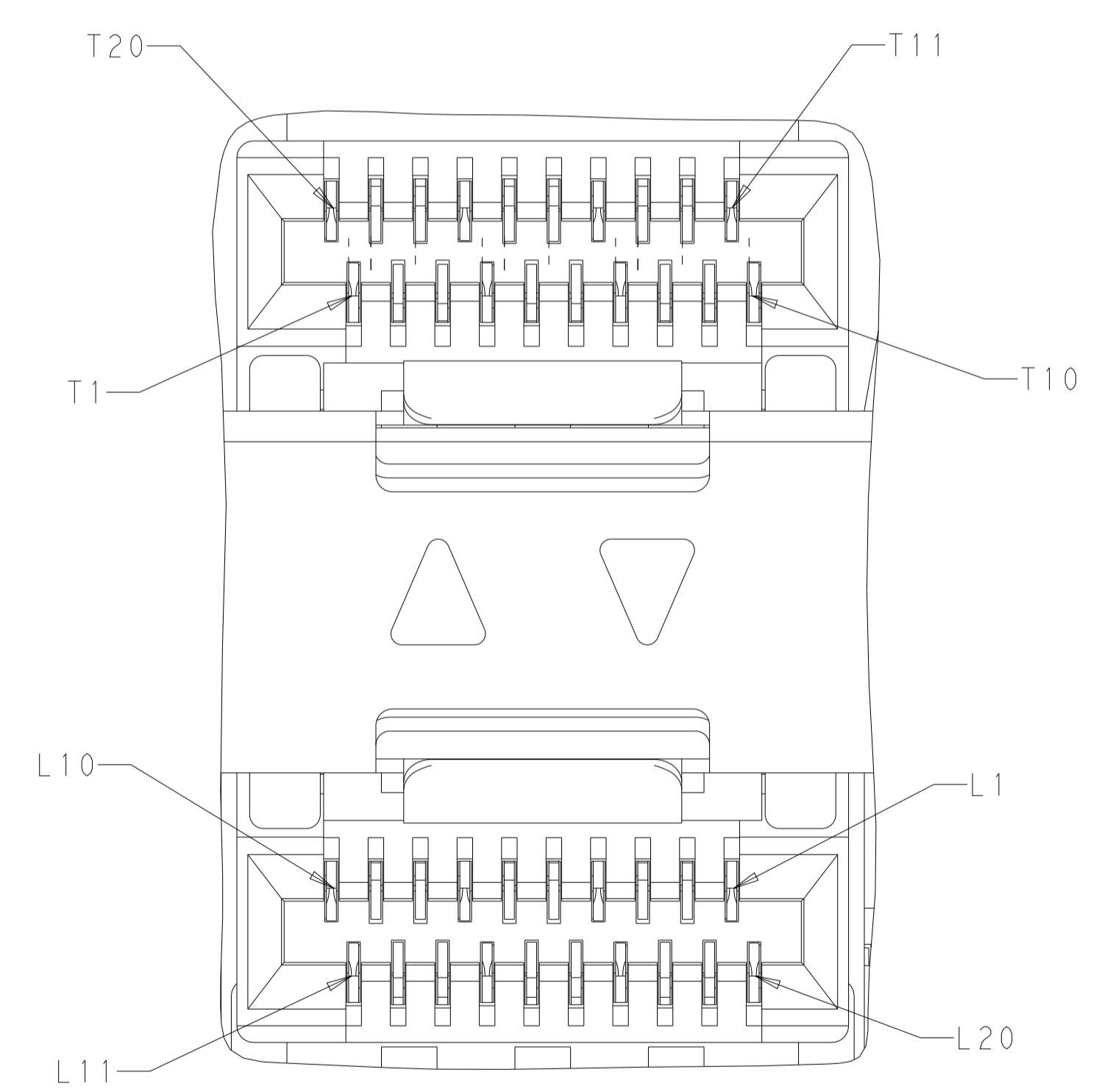
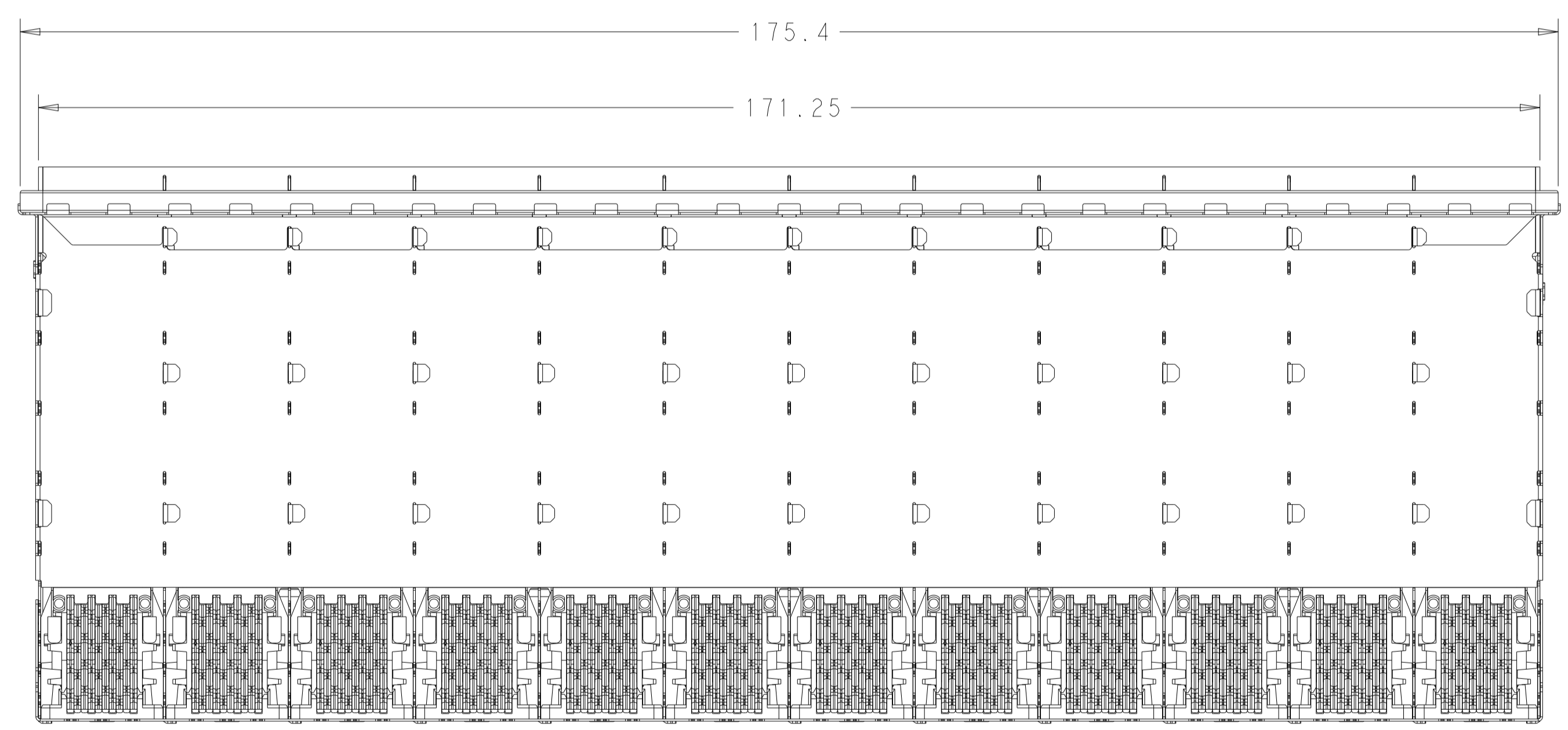
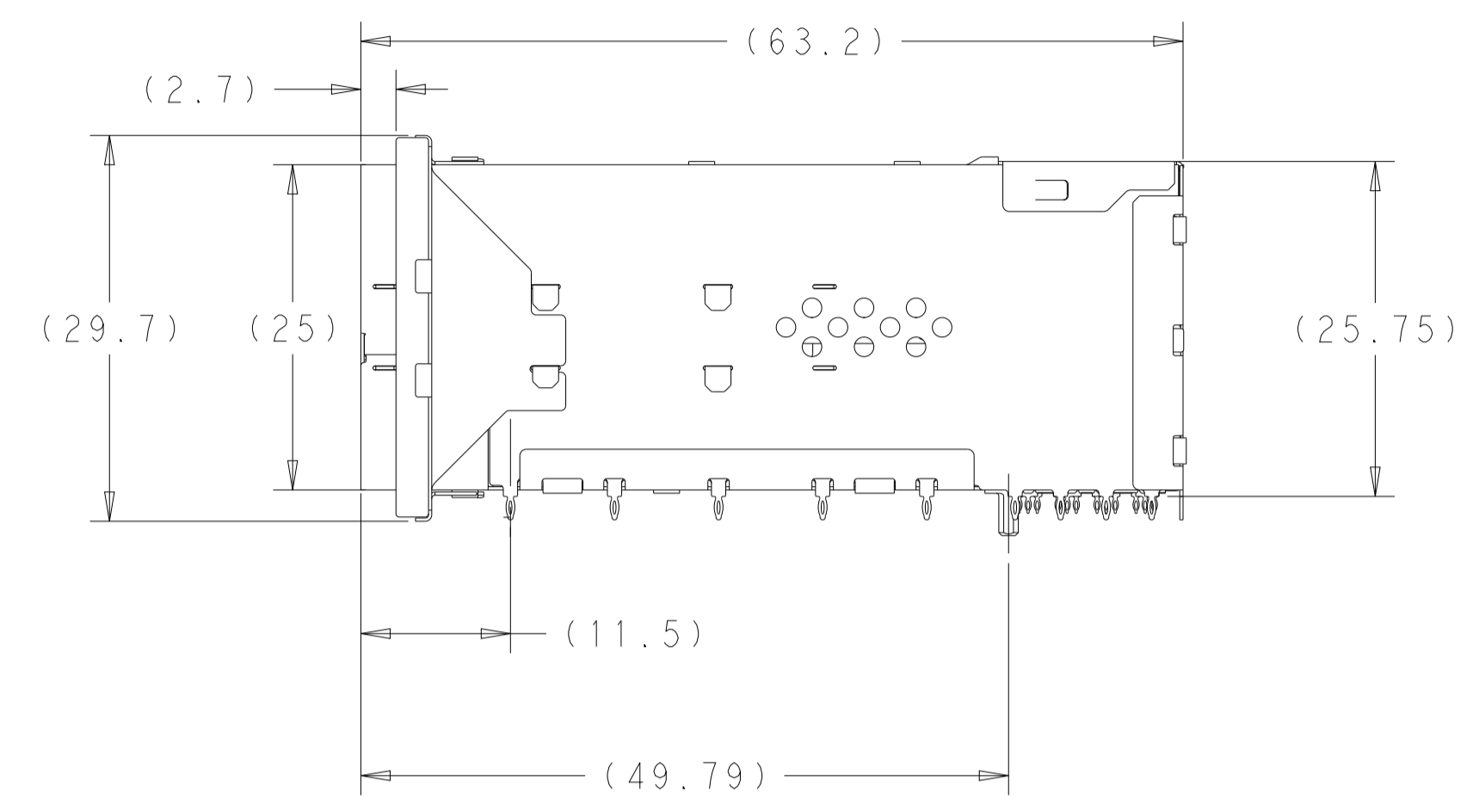


THIS DRAWING IS A CONTROLLED DOCUMENT.		OWN: J. WANG 27FEB2019	TE Connectivity
DIMENSIONS: mm		CHK: S. HAN 27FEB2019	
TOLERANCES UNLESS OTHERWISE SPECIFIED:		APVD: S. HAN 27FEB2019	NAME: RECEPTACLE ASSEMBLY, 2X12, STACKED, SFP56
0 PLC	±0.25	PRODUCT SPEC	108-2431
1 PLC	±0.25	APPLICATION SPEC	114-13319
2 PLC	±0.25	FINISH	±5°
3 PLC	±0.25	WEIGHT	-
4 PLC	±0.25	SCALE	2:1
ANGLES	±5°	SHEET	4 OF 8
FINISH	±5°	REV	B1
MATERIAL: SEE NOTES	SEE NOTES	CUSTOMER DRAWING	RESTRICTED TO: A100779C=2349201

LOC		DIST		REVISIONS				
P	LTN	DATE	DMN	APVD	DESCRIPTION	DATE	DMN	APVD
-	-	-	-	-	SEE SHEET 1	-	-	-



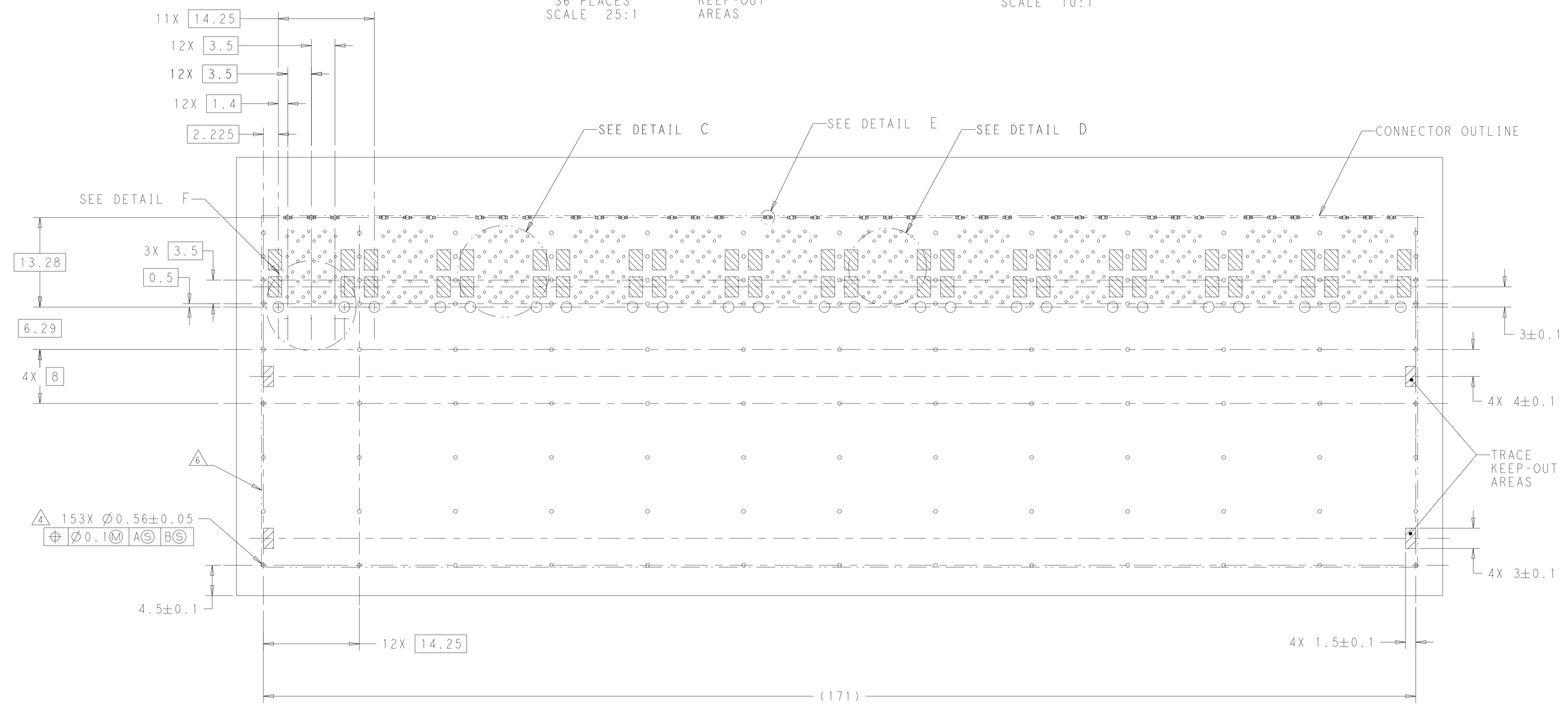
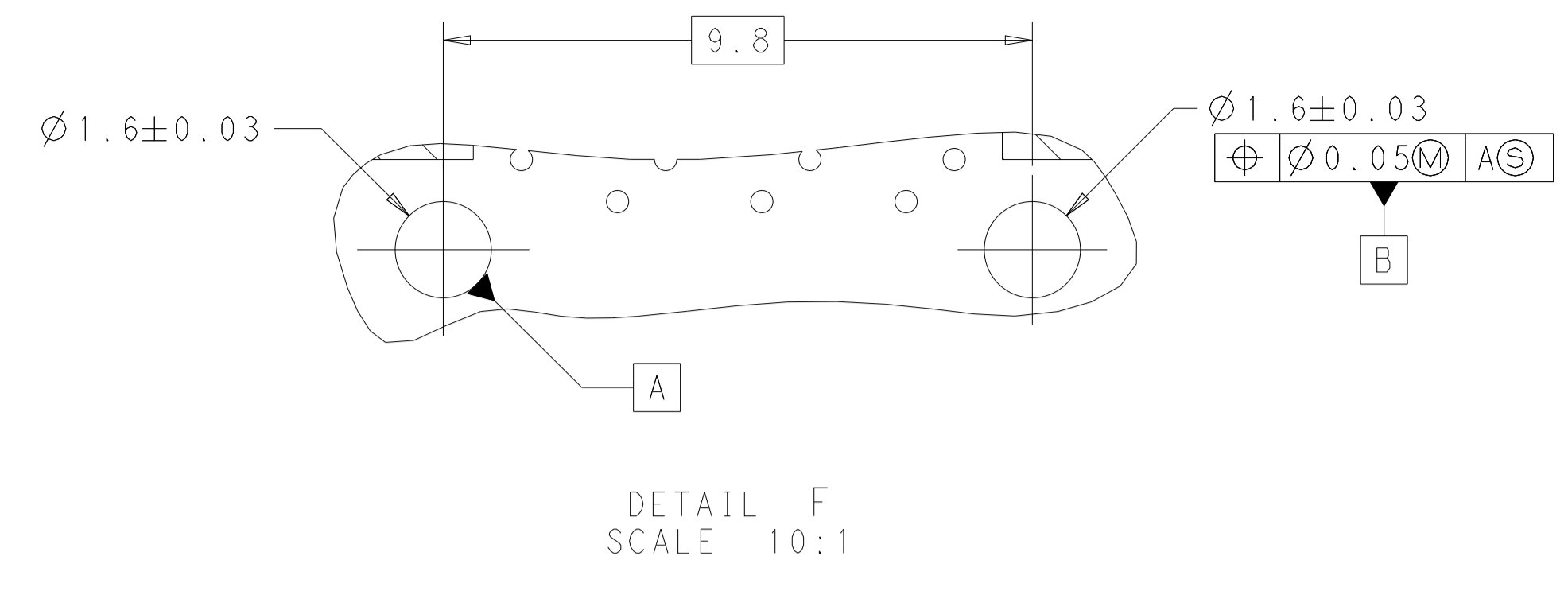
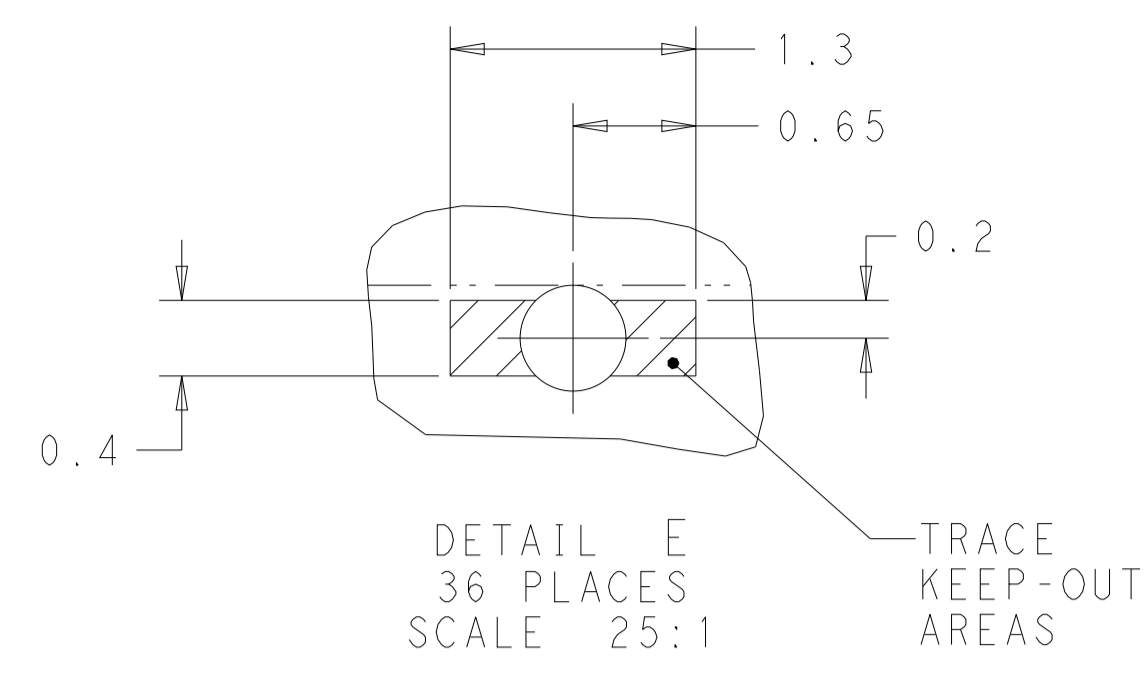
EMI GASKET VERSION



DETAIL G  
 12X INDIVIDUALLY  
 SCALE 10:1

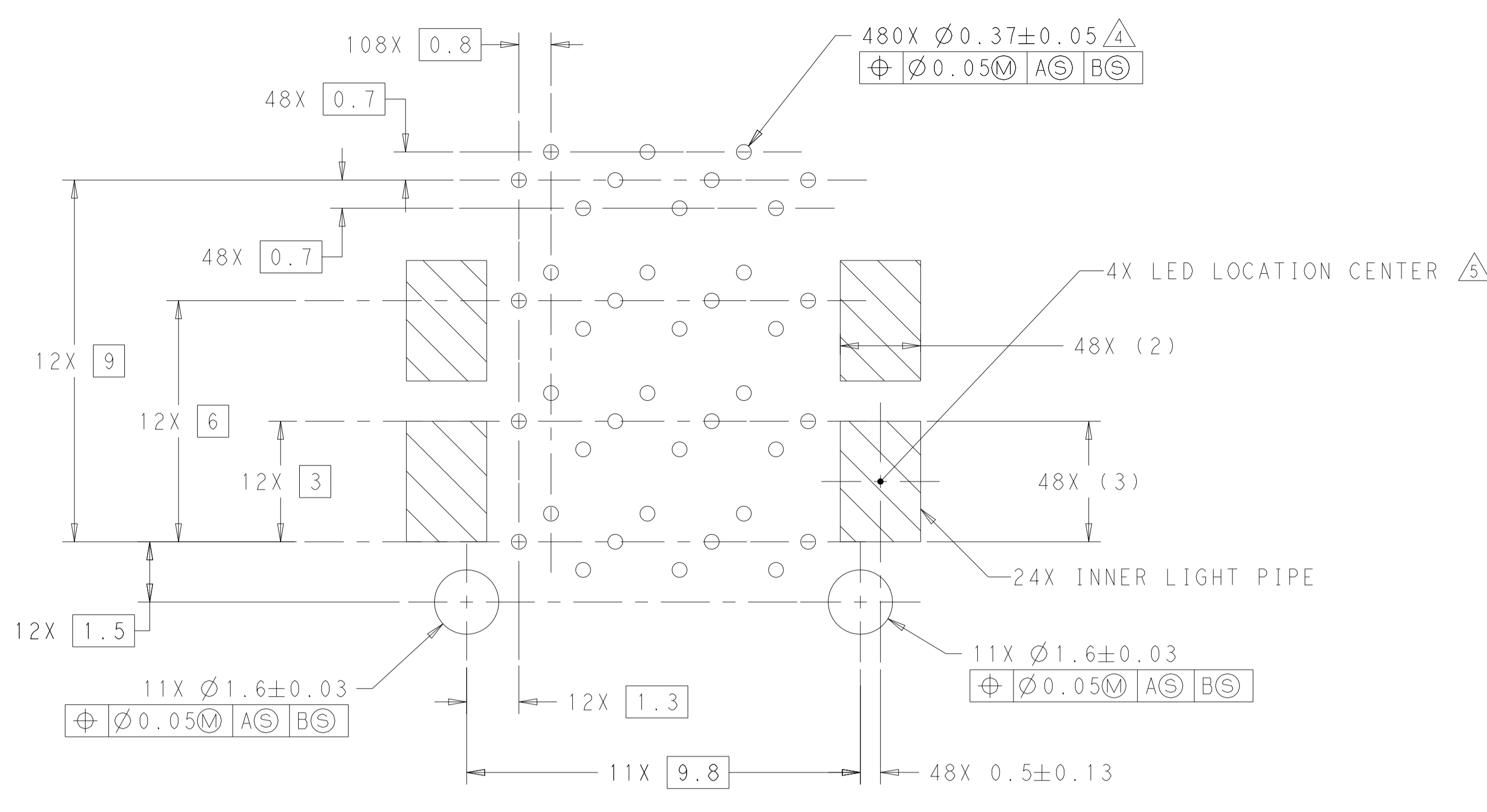
THIS DRAWING IS A CONTROLLED DOCUMENT. DIMENSIONING AND TOLERANCING PER ASME Y14.5M-2009.		DMN: J. WANG 27FEB2019	TE Connectivity NAME: RECEPTACLE ASSEMBLY, 2X12, STACKED, SFP56
DIMENSIONS: mm		CHK: S. HAN 27FEB2019	
TOLERANCES UNLESS OTHERWISE SPECIFIED:		APVD: S. HAN 27FEB2019	SIZE: A1
0 PLC ±0.25	1 PLC ±0.25	PRODUCT SPEC	CAGE CODE: 108-2431
2 PLC ±0.25	3 PLC ±0.25	APPLICATION SPEC	DRAWING NO: 114-13319
4 PLC ±0.25	ANGLES ±°	FINISH ±5°	RESTRICTED TO: -
MATERIAL: SEE NOTES	WEIGHT: -	CUSTOMER DRAWING	SCALE: 2:1
		SHEET 5 OF 8	
		REV B1	

LOC	DIST	REVISIONS			
GP	00	REV	DATE	BY	APPD
		1	SEE SHEET 1		

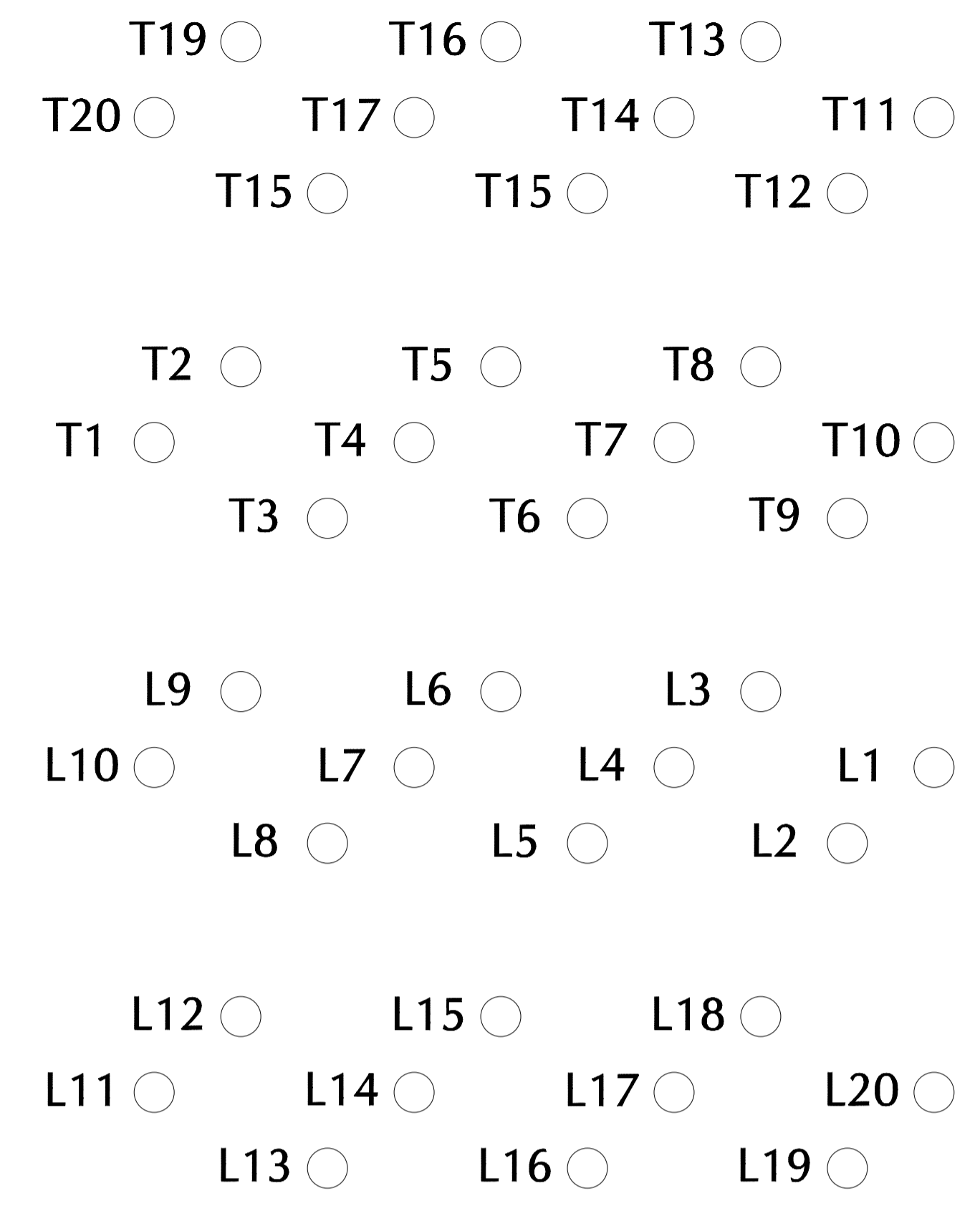


THIS DRAWING IS A CONTROLLED DOCUMENT. DIMENSIONING AND TOLERANCING PER ASME Y14.5M-2009.		OWN J. WANG 27FEB2019	TE Connectivity
DIMENSIONS: mm		CHK S. HAN 27FEB2019	
TOLERANCES UNLESS OTHERWISE SPECIFIED:		APVD S. HAN 27FEB2019	NAME RECEPTACLE ASSEMBLY, 2X12, STACKED, SFP56
0 PLC ±0.25	1 PLC ±0.25	PRODUCT SPEC 108-2431	SIZE CAGE CODE DRAWING NO. RESTRICTED TO
2 PLC ±0.25	3 PLC ±0.25	APPLICATION SPEC 114-13319	A1 00779 C=2349201
4 PLC ±0.25	ANGLES ±5°	WEIGHT	SCALE 2:1 SHEET 6 OF 8 REV B1
MATERIAL SEE NOTES	FINISH SEE NOTES	CUSTOMER DRAWING	

LOC	DIST	REVISIONS					
GP	00	P	LTN	DESCRIPTION	DATE	DMN	APVD
		-		SEE SHEET 1			

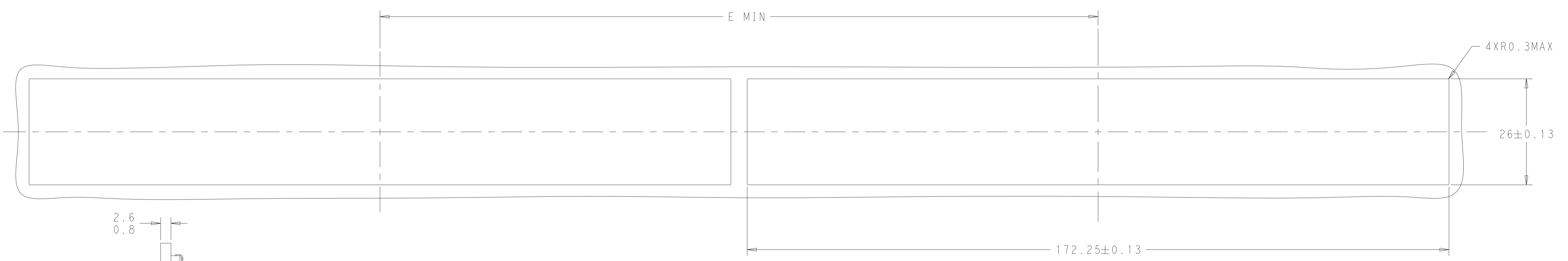


DETAIL C  
 RECOMMENDED PIN AND LIGHT PIPE LAYOUT  
 SCALE 10:1

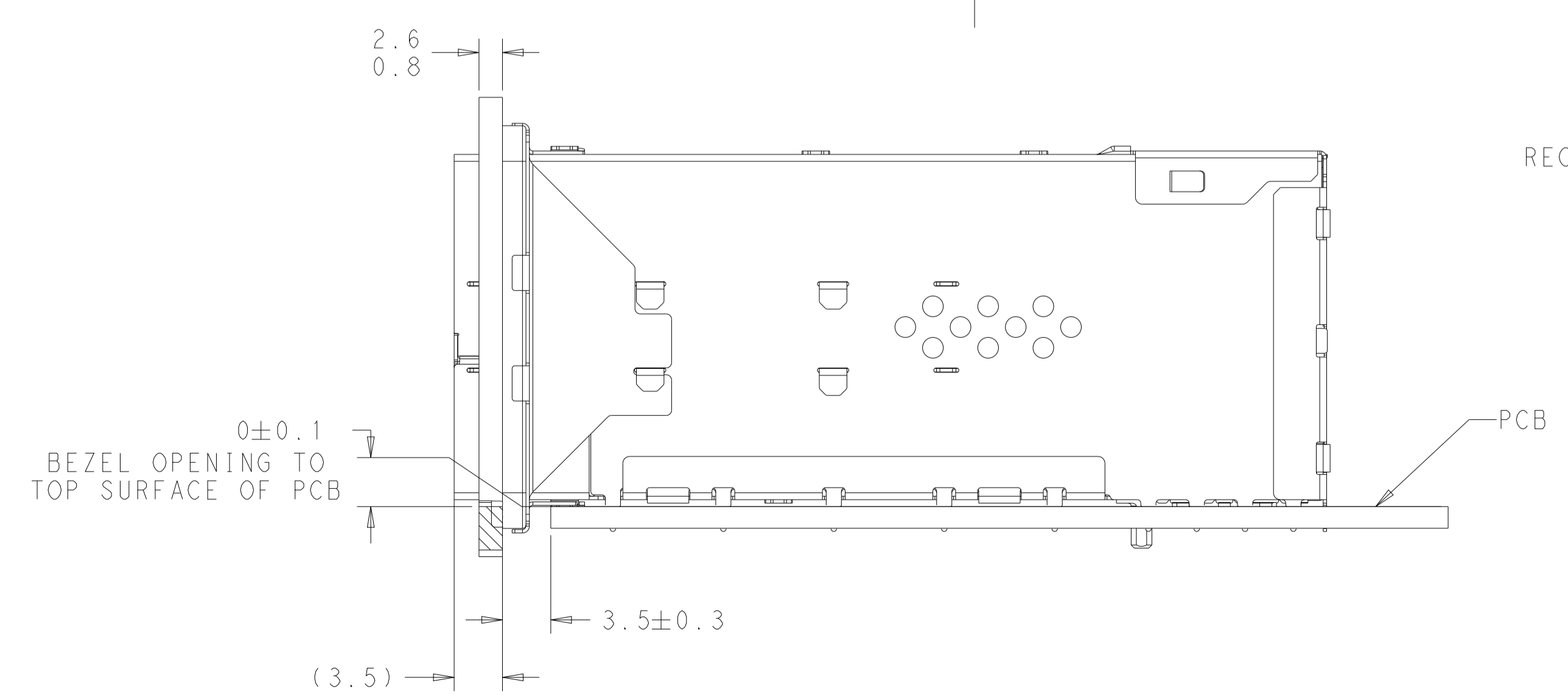


DETAIL D  
 PIN MAP  
 12 PLACES  
 SCALE 20:1

PIN MAP LEGEND	
PIN NUMBER	FUNCTION
L1/T1	VEET
L2/T2	TX-FAULT
L3/T3	TX-DISABLE
L4/T4	SDA
L5/T5	SCL
L6/T6	MOD_ABS
L7/T7	RS0
L8/T8	RX_LOS
L9/T9	RS1
L10/T10	VEER
L11/T11	VEER
L12/T12	RD-
L13/T13	RD+
L14/T14	VEER
L15/T15	VCCR
L16/T16	VCCT
L17/T17	VEET
L18/T18	TD+
L19/T19	TD-
L20/T20	VEET



RECOMMENDED BEZEL CUT OUT DETAIL



RECOMMENDED BEZEL LOCATION WITH EMI GASKET  
 SCALE 3:1

THIS DRAWING IS A CONTROLLED DOCUMENT. DIMENSIONING AND TOLERANCING PER ASME Y14.5M-2009.

DIMENSIONS: mm	TOLERANCES UNLESS OTHERWISE SPECIFIED:	0 PLC ±0.25	1 PLC ±0.25	2 PLC ±0.25	3 PLC ±0.25	4 PLC ±0.25	ANGLES ±°	FINISH ±5°
----------------	--	-------------	-------------	-------------	-------------	-------------	-----------	------------

MATERIAL	SEE NOTES	DMN	J. WANG	27FEB2019	CHK	S. HAN	27FEB2019	APVD	S. HAN	27FEB2019	NAME	RECEPTACLE ASSEMBLY, 2X12, STACKED, SFP56
SIZE	CAGE CODE	DRAWING NO	RESTRICTED TO									
A1	00779	C=2349201										

STE TE Connectivity

CUSTOMER DRAWING SCALE 2:1 SHEET 7 OF 8 REV B1

8

7

6

5

4

3

2

1

THIS DRAWING IS UNPUBLISHED. RELEASED FOR PUBLICATION 20  
 © COPYRIGHT 20 BY TYCO ELECTRONICS ALL RIGHTS RESERVED.

LOC	DIST	REVISIONS					
		REV	LTN	DESCRIPTION	DATE	DWN	APVD
GP	00	-		SEE SHEET 1	-	-	-

THIS DRAWING IS A CONTROLLED DOCUMENT.		OWN J. WANG	27FEB2019	
		CHK S. HAN	27FEB2019	
DIMENSIONS:		TOLERANCES UNLESS OTHERWISE SPECIFIED:		NAME RECEPTACLE ASSEMBLY, 2X12, STACKED, SFP56
mm	0 PLC ±0.25	APVD S. HAN	27FEB2019	
	1 PLC ±0.25	PRODUCT SPEC	108-2431	
	2 PLC ±0.25	APPLICATION SPEC	114-13319	
MATERIAL		FINISH		SIZE A1
SEE NOTES		SEE NOTES		CAGE CODE 00779
		CUSTOMER DRAWING		DRAWING NO C=2349201
		WEIGHT		RESTRICTED TO
		SCALE		2:1
		SHEET		8 OF 8
		REV		B1



## X-ON Electronics

Largest Supplier of Electrical and Electronic Components

*Click to view similar products for [I/O Connectors](#) category:*

*Click to view products by [TE Connectivity](#) manufacturer:*

Other Similar products are found below :

[571763P](#) [72.250.1628.2](#) [72.250.2428.2](#) [74720-0505](#) [76.350.0729.0](#) [76871-1403](#) [FCN-244F080-G/1](#) [FCN-260A9920](#) [MP-5T180MUNNA-005](#)  
[PCR-E36PM](#) [PCS-XE26MA+](#) [G38A71314B](#) [1571250010](#) [157-22500-3](#) [MS3471L14-19P L/C](#) [91-569786-35H](#) [172501-4002](#) [172501-6002](#)  
[FCN-260C008-A/L0](#) [FCN-260C024-AL0](#) [FCN-261Z008](#) [2000314-1](#) [200331-1](#) [PCR-E36FC+](#) [PCS-E28FS+](#) [PCS-XE26SLFD+](#) [PCS-](#)  
[XE26SLFDT+](#) [G730VID08BDC24](#) [U90B2054081210](#) [UE86K842720321](#) [38113800006](#) [DP3AR020WQ1R200](#) [Z4.102.0680.0](#) [500-1040](#)  
[500-1052](#) [500-1054](#) [ZP-4008-66L](#) [0709821002](#) [10-565995-597N](#) [DX40-20P\(55\)](#) [5554841-1](#) [U90B3054061110](#) [U65-E04-4020](#)  
[ZPF00000000097891](#) [557-262M2-06C](#) [747360449](#) [10099439-003C-TRLF](#) [10137239-0021LF](#) [E9320-001-01](#) [10137239-0011LF](#)