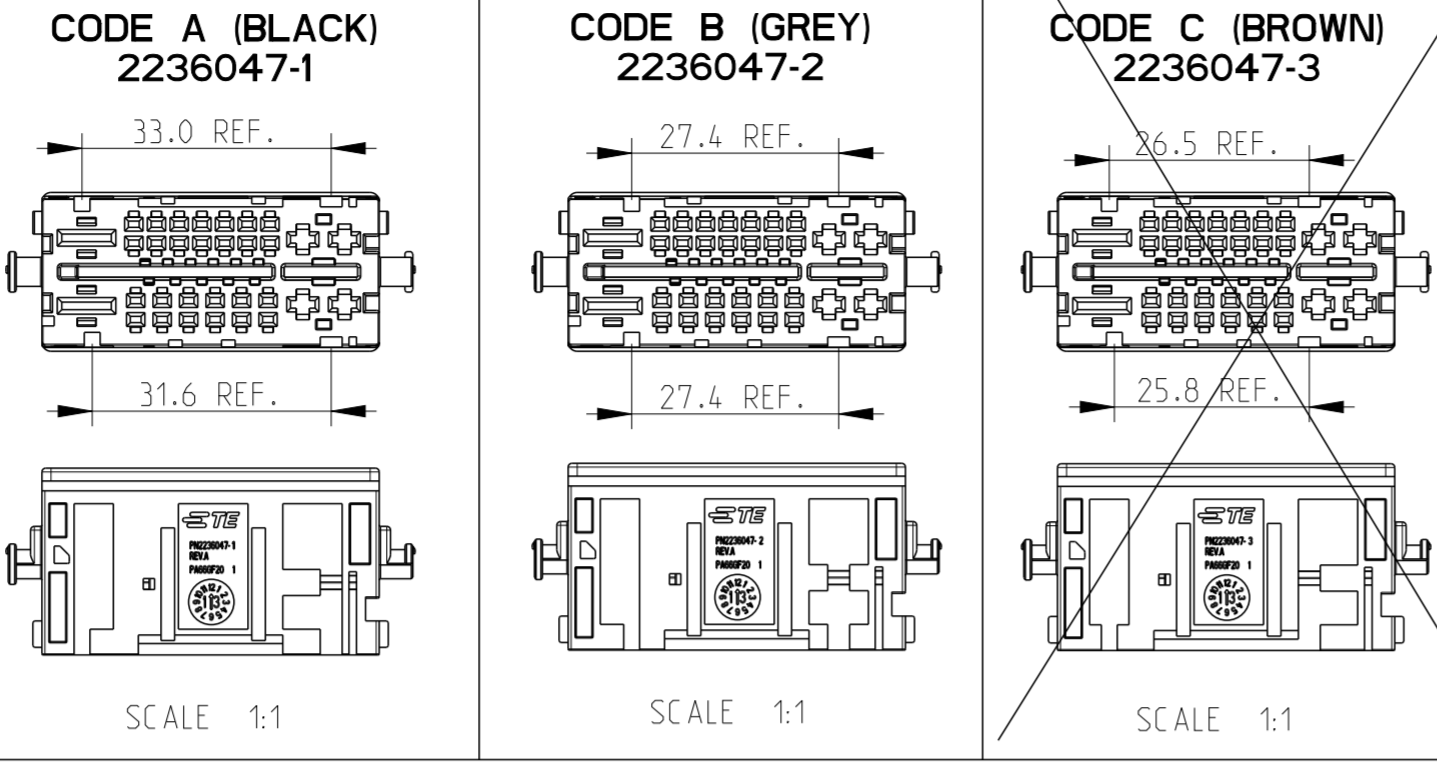
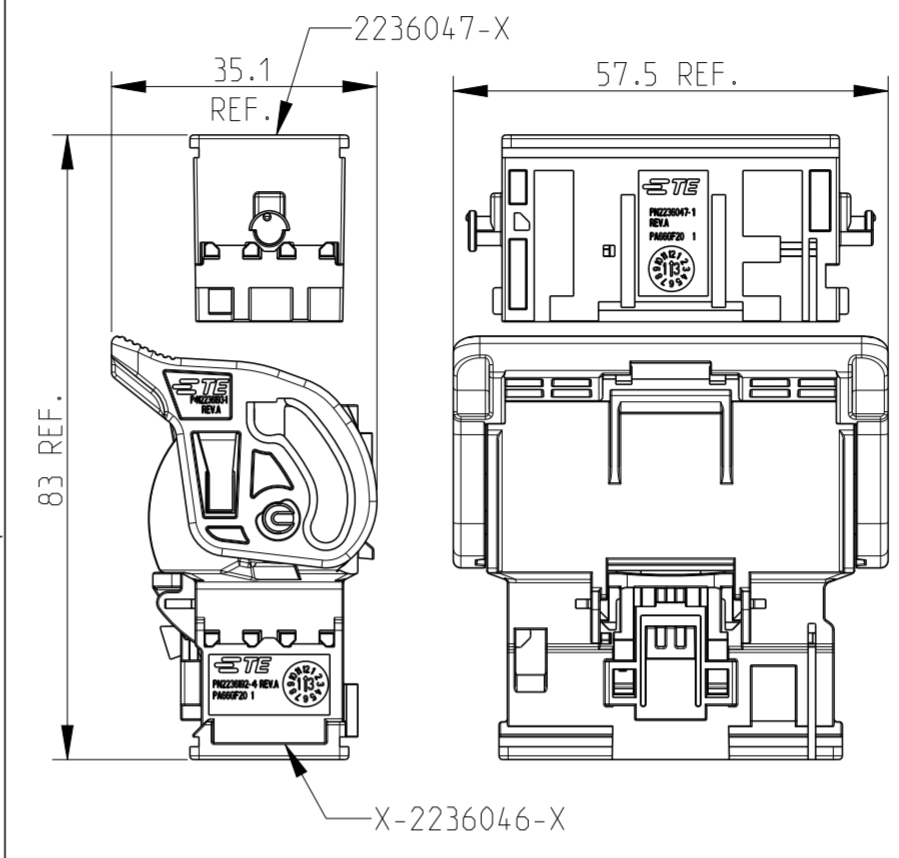


THIS DRAWING IS UNPUBLISHED. RELEASED FOR PUBLICATION 20
 © COPYRIGHT 20 BY - ALL RIGHTS RESERVED.

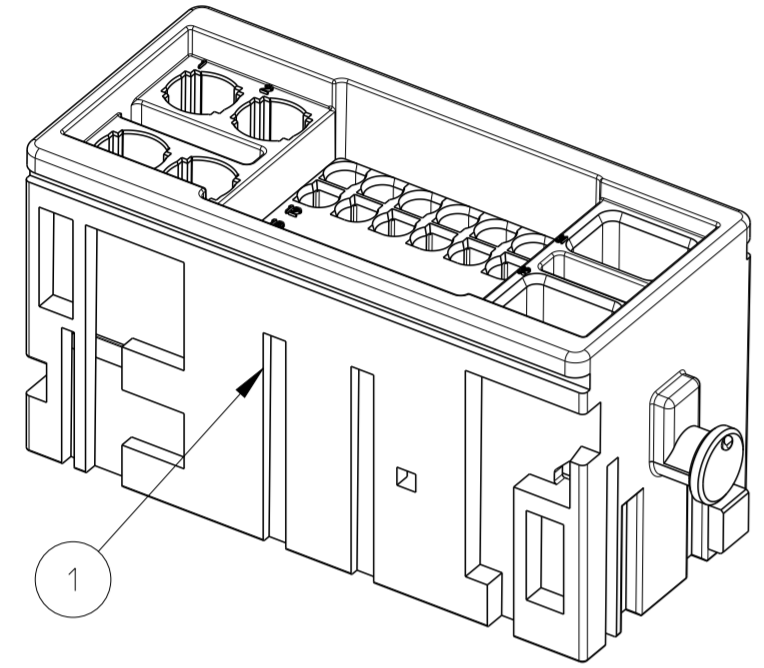
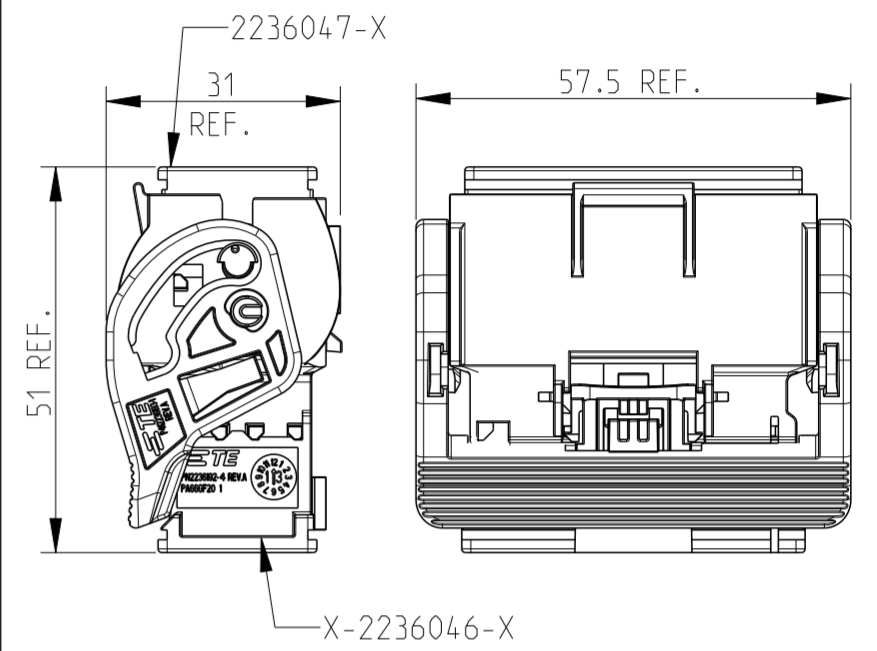
LOC		DIST		REVISIONS			
P	LTR	DESCRIPTION	DATE	DWN	APVD		
A		FIRST ISSUE	07APR2014	SDM	A.P.		
A1		ECR-16-009218 ADDED PICTURES OF CODES INDICATION	05SEP2016	SDM	M.G.		



OVERALL DIMENSIONS BEFORE MATING



OVERALL DIMENSIONS AFTER MATING



4 CAVITIES SUITABLE FOR MCON 2.8 RECEPTACLE CONTACTS (CAV. 1.2,3,4)

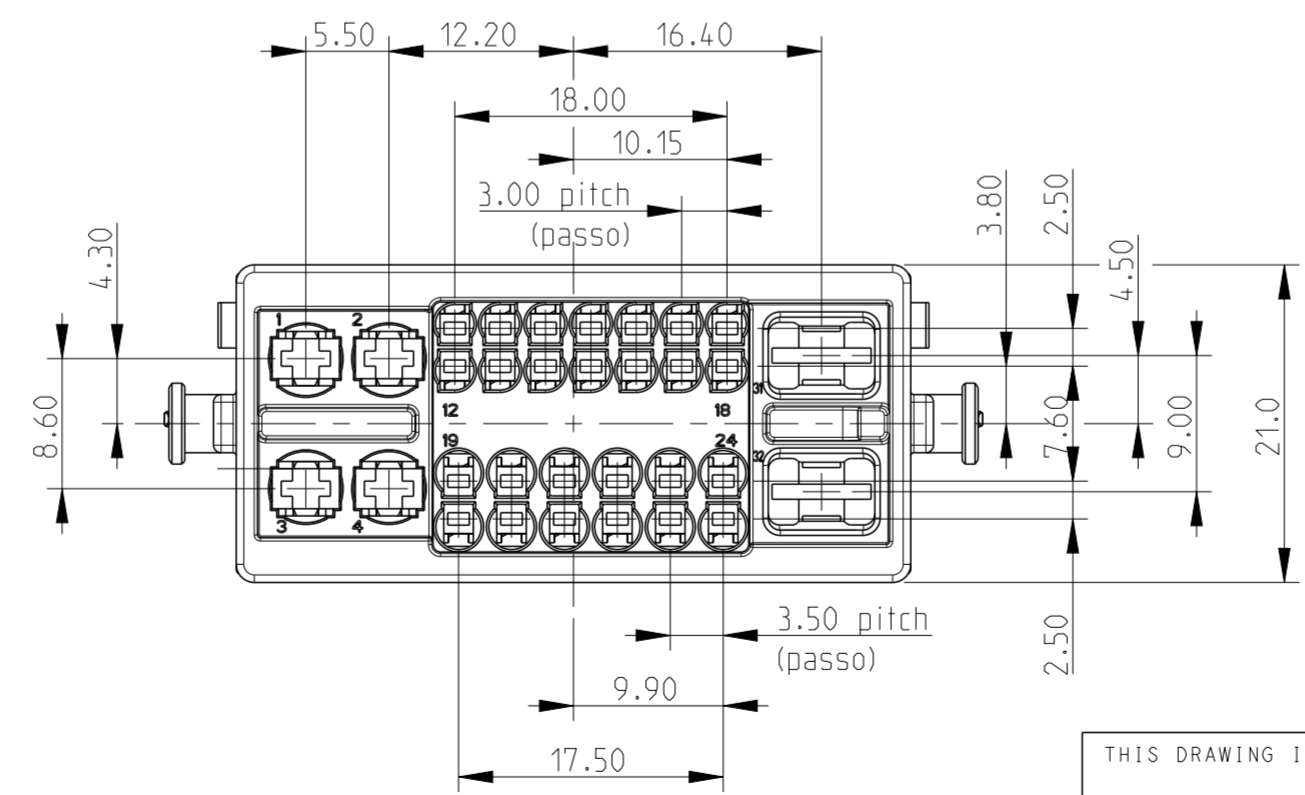
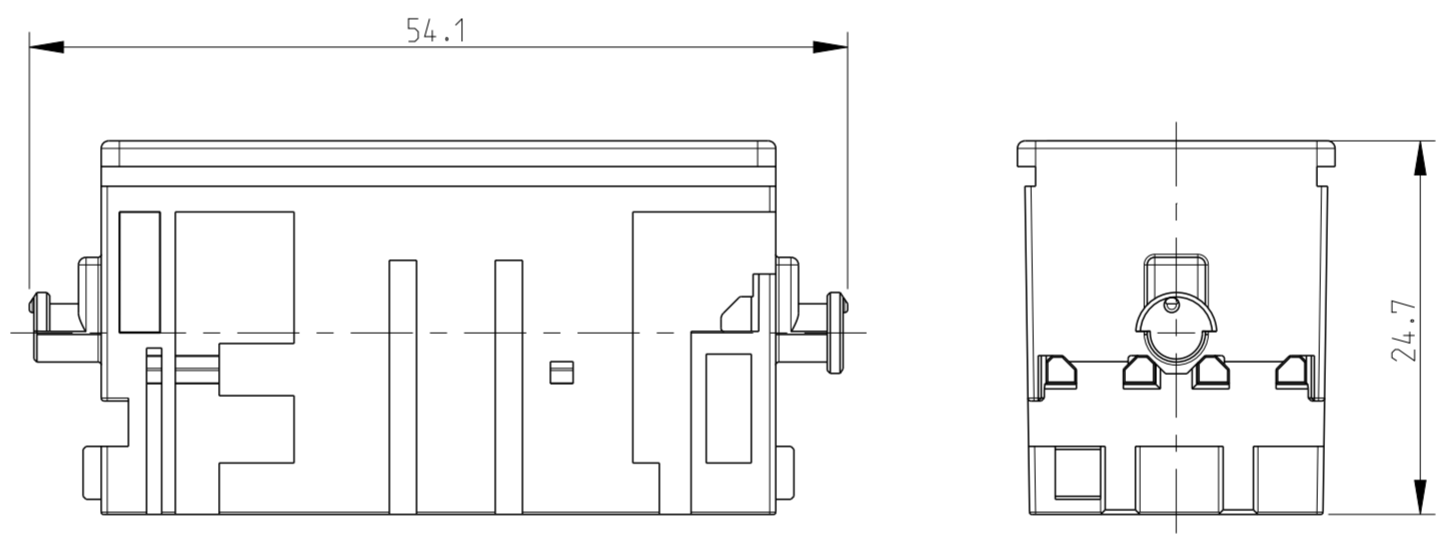
Sn PLTD P/N	WIRE RANGE [mm ²] (RANGO FILO)	REFERENCE DRW. (DISEGNO DI RIF.)
1563719-1	0.5	C-1719797
1719838-1	0.75-1.0	
1719840-1	>1.0-2.5	
1718475-1	>2.5-4.0	

14+12 CAVITIES SUITABLE FOR MCON 1.2 RECEPTACLE CONTACTS (14 x WIRE RANGE MAX 1sqmm (CAV. 5-11, 12-18) + 12 x WIRE RANGE MAX 1.5sqmm (CAV. 19-24, 25-30))

Sn PLTD P/N	WIRE RANGE [mm ²] (RANGO FILO)	REFERENCE DRW. (DISEGNO DI RIF.)
7-1452653-1	0.25-0.35	C-1452674
7-1452656-1	0.5-0.75	
7-1452659-1	1.0-1.5	

2 CAVITIES SUITABLE FOR AMPMCP 4.8/6.3 RECEPTACLE CONTACTS (CAV 31,32)

Sn PLTD P/N	WIRE RANGE [mm ²] (RANGO FILO)	REFERENCE DRW. (DISEGNO DI RIF.)
1241400-1	0.35-0.5	C-1241438
1241402-1	0.75-1.0	
1241404-1	>1.0-2.5	
1241406-1	>2.5-4.0	
1241408-1	>4.0-6.0	



NOTE:

- 1) MATERIAL: SEE TABLE
- 2) CODING IS INDICATED IN THE TABLE
- 3) SUITABLE CONTACTS ARE INDICATED IN THE TABLE
- 4) TAB HOUSING P/N X-2236046-X
- 5) SECONDARY LOCKS ARE SOLD SEPARATELY IN KIT P/N 2236048-1

P/N 2236047-1 AS SHOWN

Q.TY	P/N	DESCRIPTION	MATERIAL	COLOUR	ITEM
1	0-2236047-3	FEMALE CONNECTOR CODE C	PA66GF	BROWN	1
1	0-2236047-2	FEMALE CONNECTOR CODE B	PA66GF	GREY	1
1	0-2236047-1	FEMALE CONNECTOR CODE A	PA66GF	BLACK	1

THIS DRAWING IS A CONTROLLED DOCUMENT.

DIMENSIONS:	TOLERANCES UNLESS OTHERWISE SPECIFIED:
mm	0 PLC ±1 1 PLC ±0.7 2 PLC ±0.3 3 PLC ± 4 PLC ±
	ANGLES ±
MATERIAL	FINISH

DWN	CHK	APVD	NAME
S. Di Maggio	A. Plazio		

TE Connectivity

32 POS FEMALE HYBRID CONNECTOR

SIZE	CAGE CODE	DRAWING NO	RESTRICTED TO
A2	100779	C-2236047	-

Customer Drawing SCALE 2:1 SHEET 1 OF 1 REV A1

X-ON Electronics

Largest Supplier of Electrical and Electronic Components

Click to view similar products for [Automotive Connectors](#) category:

Click to view products by [TE Connectivity](#) manufacturer:

Other Similar products are found below :

[003-018-000](#) [60993906-B](#) [M902-2131](#) [M902-2161](#) [M902-2344](#) [72.330.1035.1](#) [73.353.4028.0](#) [F166900](#) [F358300-B](#) [F407400](#) [776880-1](#)
[827153-1](#) [8N1515-32-24P](#) [9-1326729-8](#) [925474-1](#) [928905-1](#) [964562-4](#) [968782-1](#) [98891-1012](#) [12004475-L](#) [12020308](#) [12041318-B](#)
[12052466](#) [12064869](#) [12015909](#) [1-21030-1](#) [12041254](#) [12041318](#) [12047946-B](#) [12110546-B](#) [12131792](#) [12084688](#) [12092346](#) [HD34-18-14PT](#)
[HD46-24-23SN-059](#) [HDB36-24-16PN-059](#) [HDP26-24-9SE-L015](#) [12185280](#) [12185550](#) [12336-12](#) [12191172-B](#) [12S](#) [13545280](#) [13577943](#)
[13681974](#) [13737722-B](#) [13830674](#) [13832576](#) [13849772](#) [13542772](#)