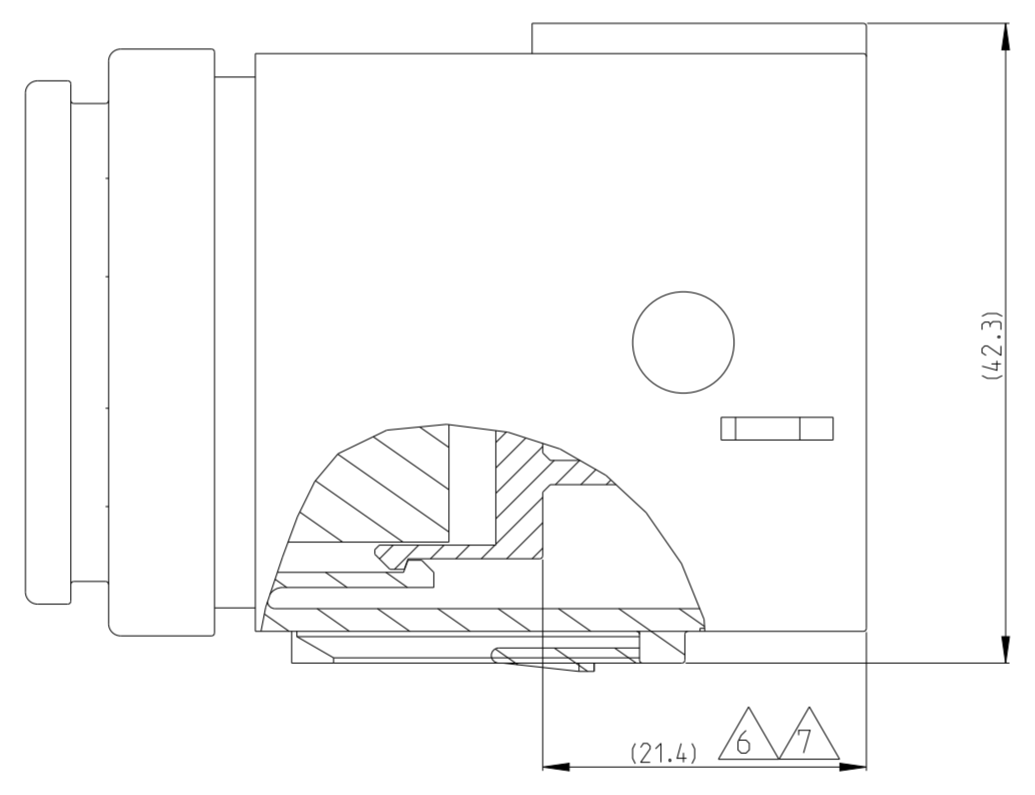
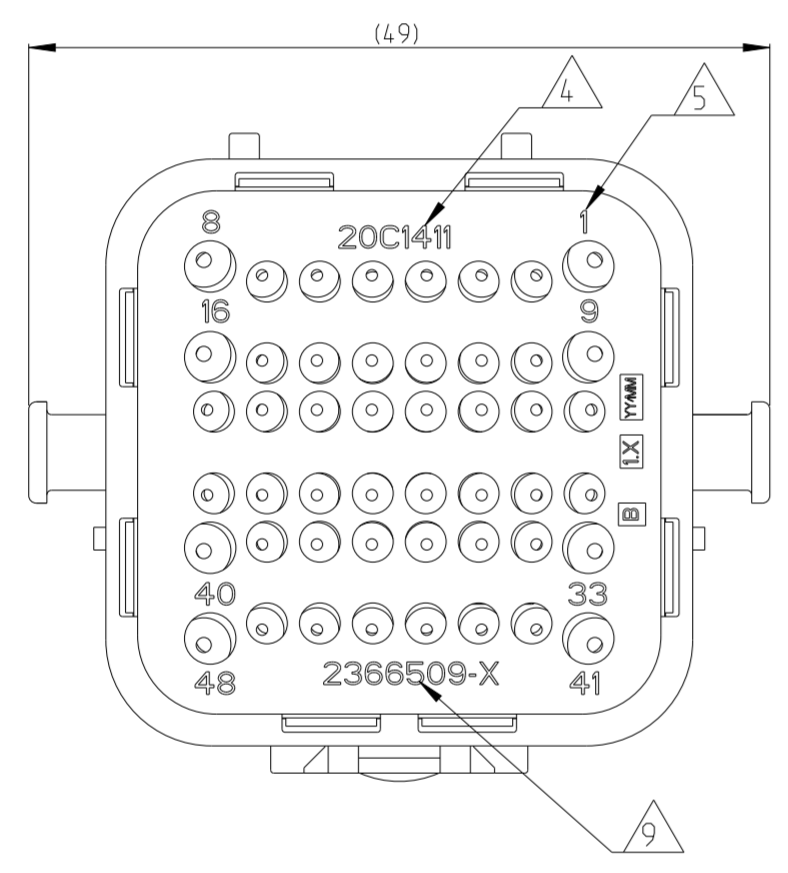
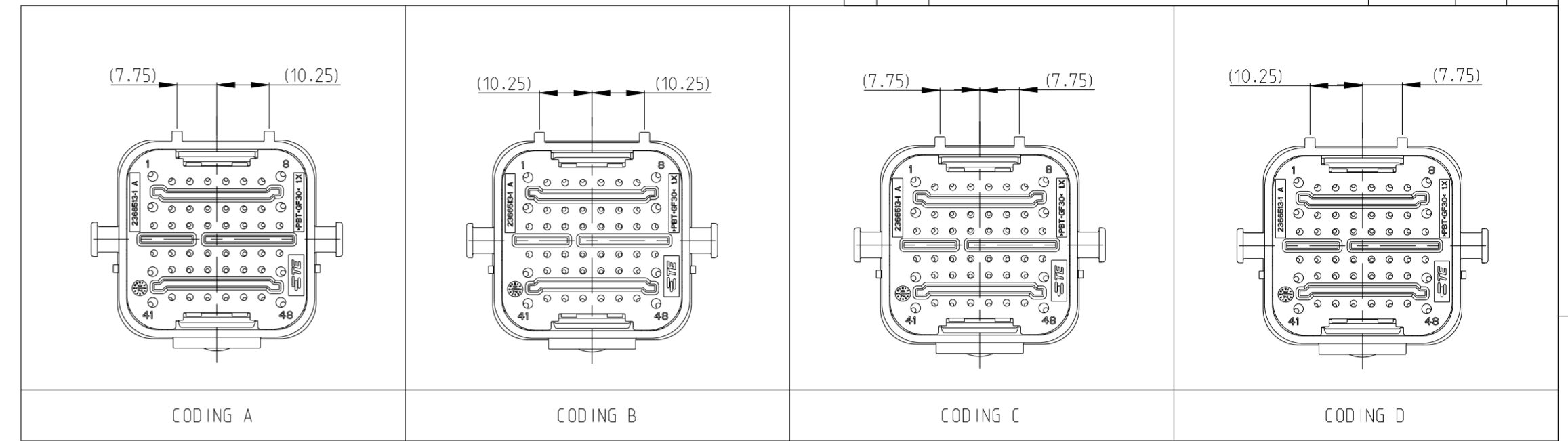
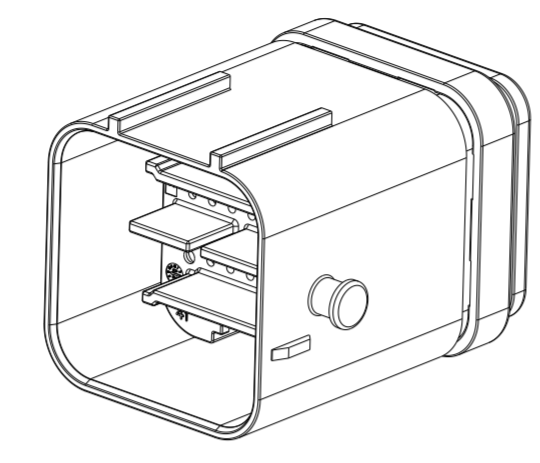
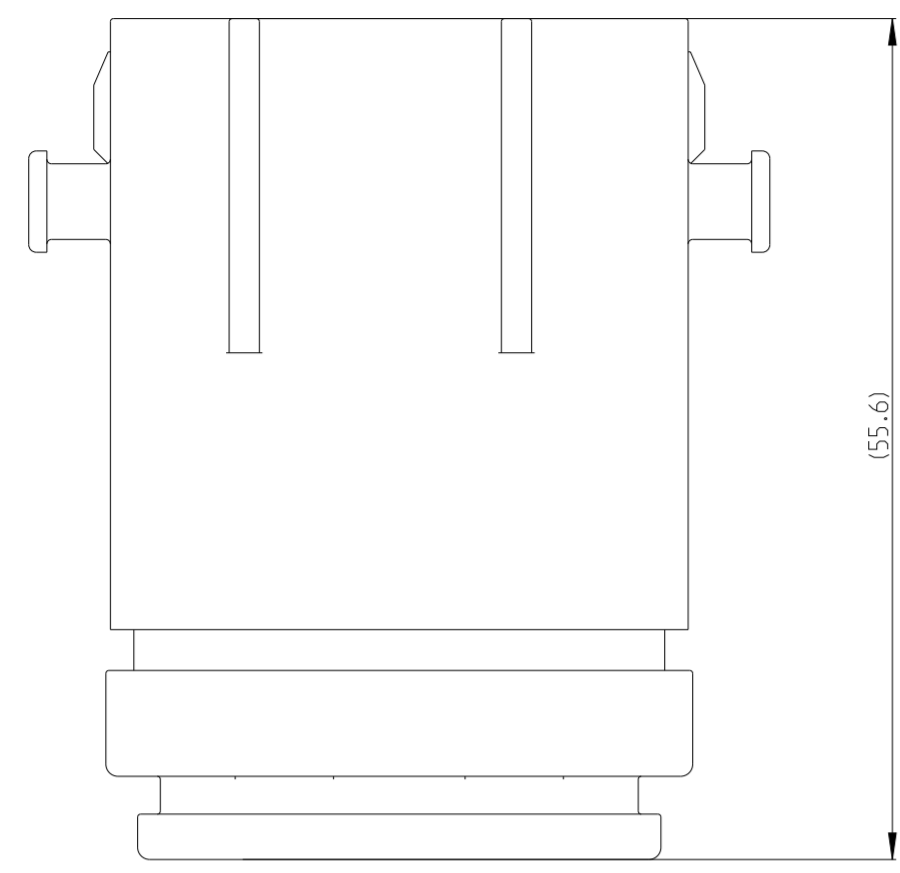


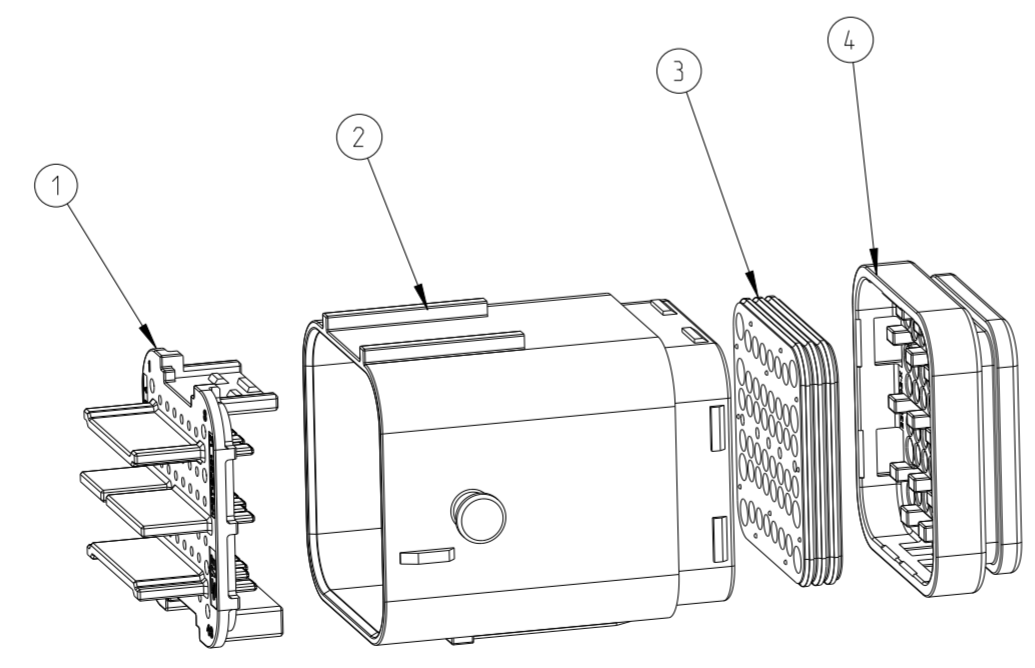
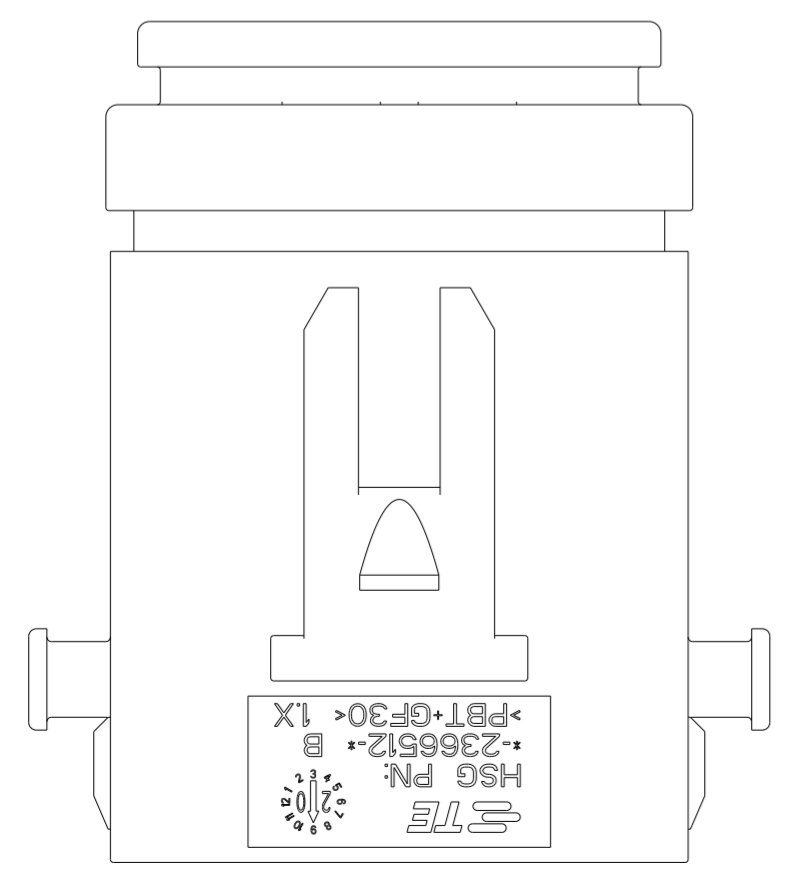
THIS DRAWING IS UNPUBLISHED. RELEASED FOR PUBLICATION 20
© COPYRIGHT 20 BY - ALL RIGHTS RESERVED.

P	LTR	DESCRIPTION	DATE	DWN	APVD
A		RELEASED	05MAR2020	X.L	I.Y
A1		SEE ECR-21-000027	04 JAN2021	L.G	I.Y
B		SEE ECR-21-002821	16MAR2021	L.G	I.Y
B1		ECN-21-127853	24NOV2021	L.G	Z.Z



- THIS TAB HOUSING MATES WITH PLUG ASSEMBLY PN 2366494-X. (X=1, 2, 3, 4 FOR VARIOUS CODE).
 - FOR FLANGE VERSION, NEED MATE WITH FIX RING PN 2366517-X. RECOMMENDED WALL INTERFACE SEE CUSTOMER DRAWING 2366517.
 - MATERIAL SEE TABLE
 - DATE CODE: IDENTIFIES THE YEAR, MONTH, DAY AND HOUR OF ASSEMBLY.
YEAR: FIRST AND SECOND DIGITS(20=2020)
MONTH: THIRD DIGIT, EXCLUDING 1, A=JAN, B=FEB, C=MARCH...(K=OCTOBER)
DAY: FOURTH AND FIFTH DIGITS(14=14th DAY)
HOUR: SIXTH AND SEVENTH DIGITS(11=11AM)
 - IDENTIFICATION FOR CABLE PINOUT.
 - TPA SEATED ON PRE-LOCK POSITION FOR DELIVERY.
 - PULL TPA TO PRE-LOCK BEFORE TERMINAL INSERTION IN CASE OF TPA BEING HIT TO END-LOCK POSITION.
 - REFER TO 114-151001 FOR DT SIZE 16 TERMINAL APPLICATION SPECIFICATION. REFER TO 114-151003 FOR DT SIZE 20 TERMINAL APPLICATION SPECIFICATION. APPLICABLE TERMINAL PART NUMBERS AND WIRE SIZE:
- | TERMINAL PN | WIRE SIZE (MM2) | INSULATION WIRE (MM2) | PIOUT NUMBER |
|-------------|-----------------|-----------------------|----------------------|
| 16# | 1.0-2.5 | ∅1.9-∅3.0 | 1,8,9,16,33,40,41,48 |
| 20# | 0.5-1.5 | ∅1.4-∅2.4 | OTHER PINS |
- LASER PRODUCT PN. SUCH AS "--1" MEANS 2366509-1, "2--1" MEANS 2-2366509-1.
 - REFER TO DRAWING 2373921 FOR APPLICABLE PART NO. OF SEALING PLUG.

TERMINAL PN	WIRE SIZE (MM2)	INSULATION WIRE (MM2)	PIOUT NUMBER
16#	1.0-2.5	∅1.9-∅3.0	1,8,9,16,33,40,41,48
20#	0.5-1.5	∅1.4-∅2.4	OTHER PINS



1	-	-	-	BLUE	PBT-GF30	REAR CAP	4
-	1	-	-	GREEN			
-	-	1	-	GREY	PBT-GF30	HOUSING CODING D HOUSING CODING C HOUSING CODING B HOUSING CODING A	2
1	1	1	1	BLACK			
1	-	-	-	RUST RED			
-	1	-	-	BLUE			
-	-	1	-	GREEN	PBT-GF30	TPA	1
-	-	-	1	GREY			
-	-	-	1	BLACK	PBT-GF30	TPA	1
1	1	1	1	YELLOW			
QTY. REQUEST PER ASSY				COLOR	MATERIAL	DESCRIPTION	ITEM NO
A	A	A	A	REVISION OF EACH ASSY PN			
--4	--3	--2	--1	TE ASSEMBLY PN			

THIS DRAWING IS A CONTROLLED DOCUMENT.

DWN	X.LI	19FEB2020
CHK	W.WU	02MAR2020
APVD	J.YIN	05MAR2020
PRODUCT SPEC	108-101662	
APPLICATION SPEC	-	
WEIGHT	-	
CUSTOMER DRAWING	-	

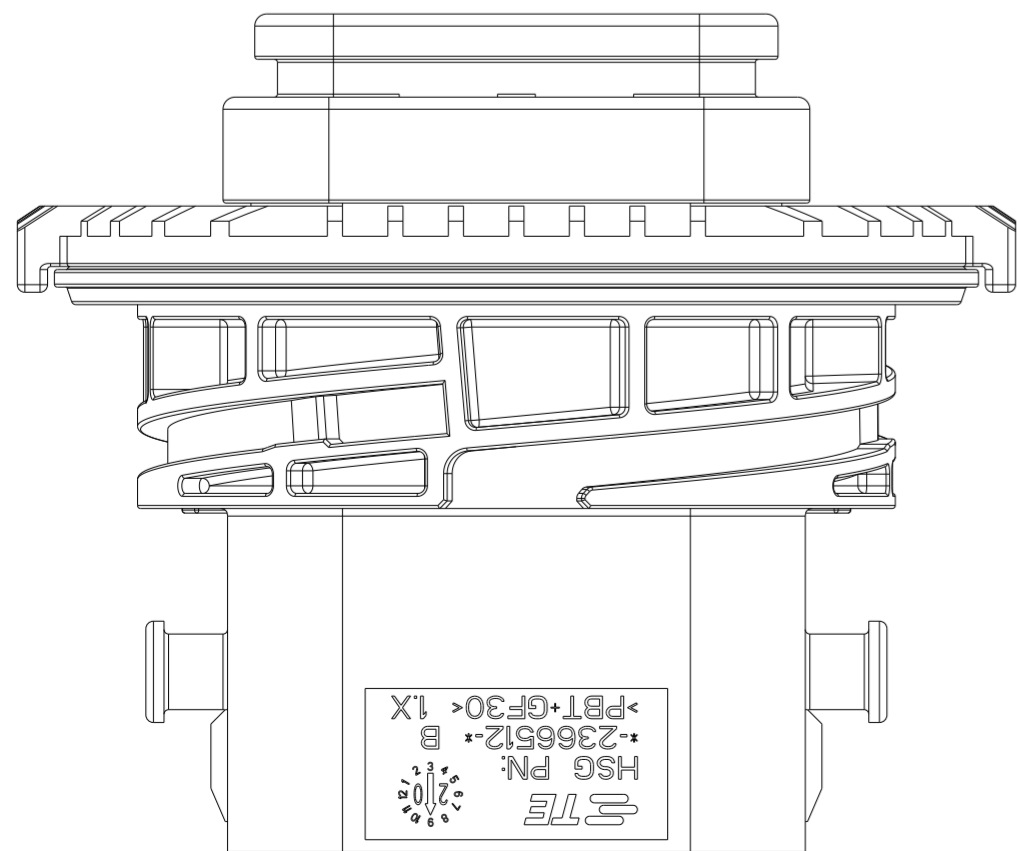
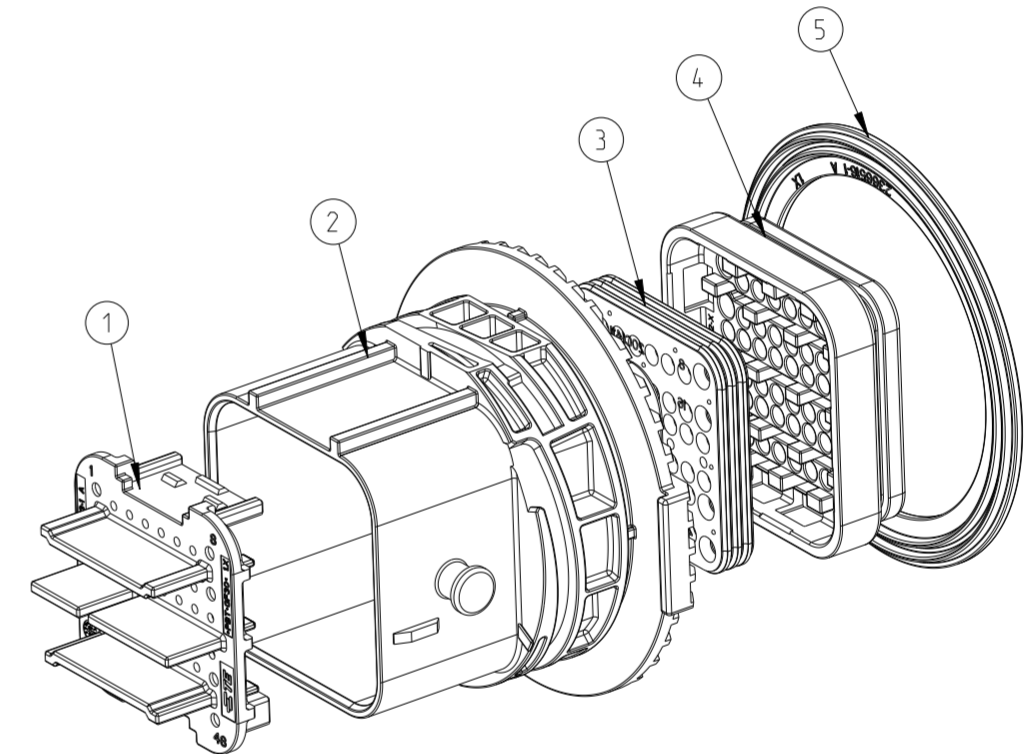
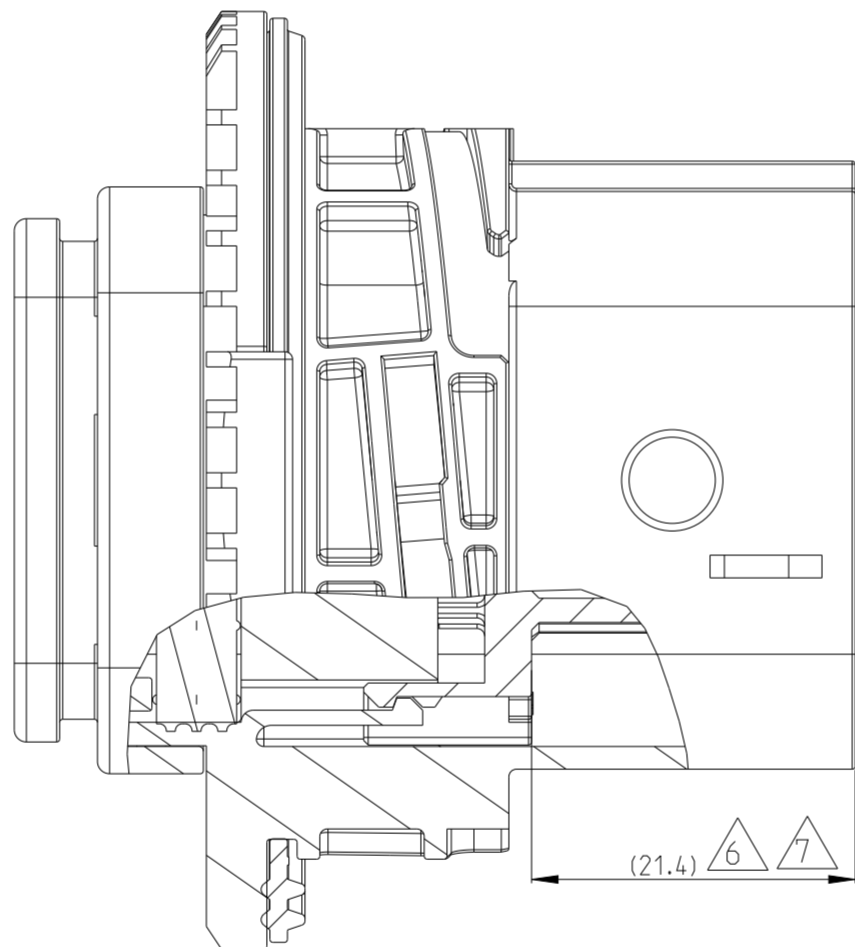
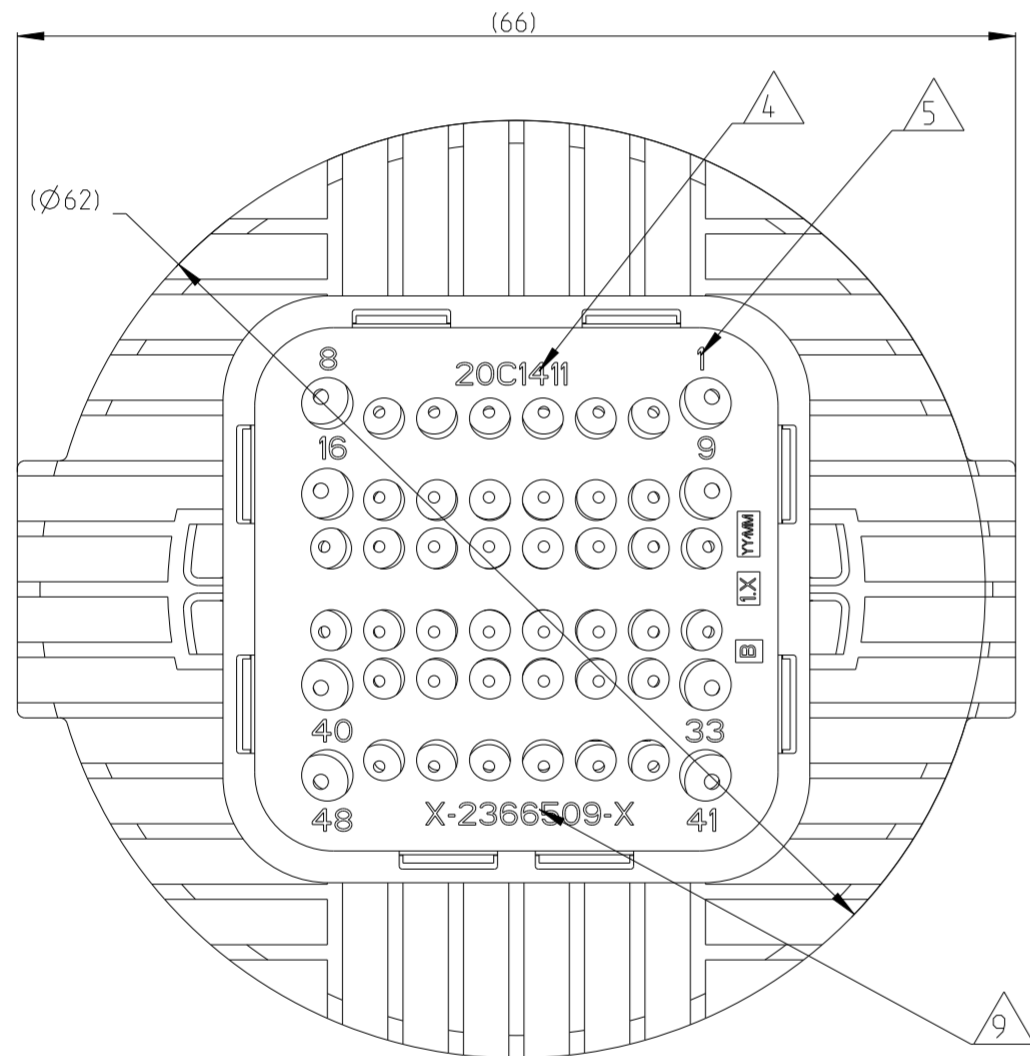
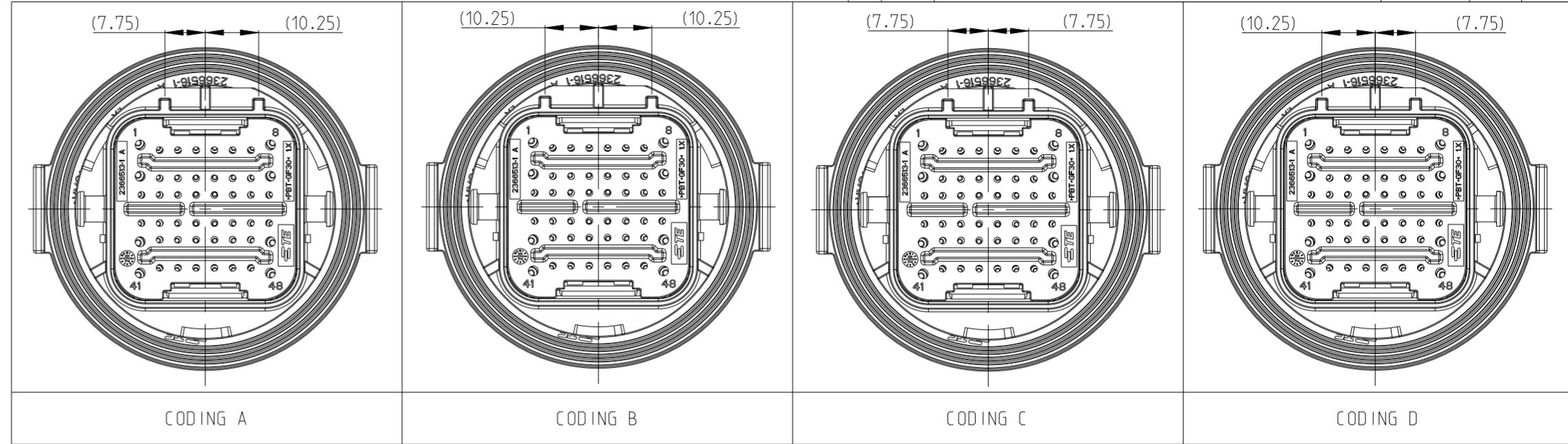
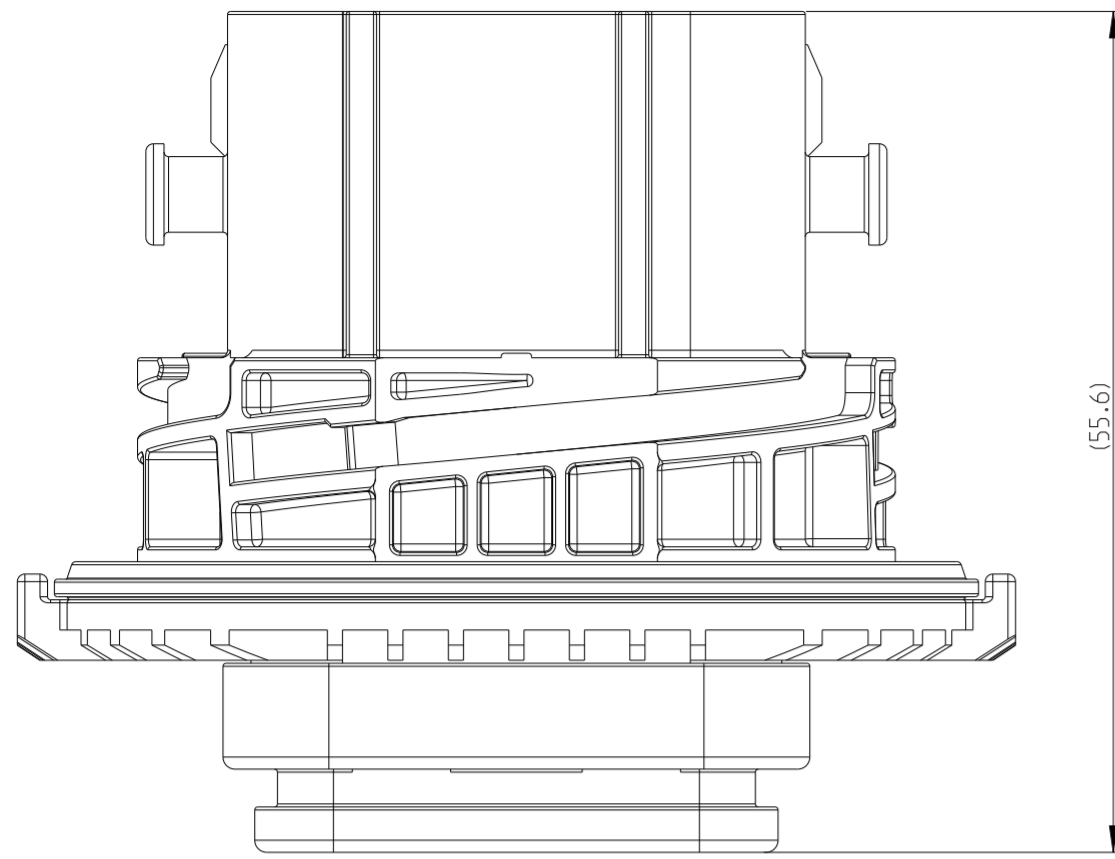
SIZE	CAGE CODE	DRAWING NO	RESTRICTED TO
A2	-	C-2366509	-
SCALE	1:1	SHEET	1 OF 2
REV	B1		

STE TE Connectivity

NTS 48P TAB HSG ASSEMBLY

THIS DRAWING IS UNPUBLISHED. RELEASED FOR PUBLICATION 20
 © COPYRIGHT 20 BY - ALL RIGHTS RESERVED.

REVISIONS				
P	LTR	DESCRIPTION	DATE	APVD
-	-	SEE SHEET 1	-	-



QTY.	REQUEST PER ASSY	COLOR	MATERIAL	DESCRIPTION	ITEM NO
1	1	1	1	RUST RED VMQ FACIAL SEAL	5
1	-	-	-	BLUE PBT-GF30 REAR CAP	4
-	1	-	-	GREEN PBT-GF30	2
-	-	1	-	GREY PBT-GF30 HOUSING CODING B	
1	1	1	1	RUST RED VMQ GROMMET	
1	-	-	-	BLUE PBT-GF30 HOUSING CODING D	
-	1	-	-	GREEN PBT-GF30 HOUSING CODING C	1
-	-	1	-	GREY PBT-GF30 HOUSING CODING A	
1	1	1	1	YELLOW PBT-GF30 TPA	
QTY. REQUEST PER ASSY				COLOR MATERIAL DESCRIPTION	ITEM NO
A	A	A	A	REVISION OF EACH ASSY PN	
2--4	2--3	2--2	2--1	TE ASSEMBLY PN	

THIS DRAWING IS A CONTROLLED DOCUMENT.

DWN	X_LL	19FEB2020	 TE Connectivity	NAME NTS 48P TAB HSG ASSEMBLY
CHK	W_WU	02MAR2020		
APVD	J_YIN	05MAR2020		
PRODUCT SPEC	108-101662			
MATERIAL	SEE TABLE	WEIGHT	A2	RESTRICTED TO
CUSTOMER DRAWING			SCALE 1:1	SHEET 2 OF 2

X-ON Electronics

Largest Supplier of Electrical and Electronic Components

Click to view similar products for [Automotive Connectors](#) category:

Click to view products by [TE Connectivity](#) manufacturer:

Other Similar products are found below :

[003-018-000](#) [60993906-B](#) [M902-2131](#) [M902-2161](#) [M902-2344](#) [72.330.1035.1](#) [73.353.4028.0](#) [F166900](#) [F358300-B](#) [F407400](#) [776880-1](#)
[827153-1](#) [8N1515-32-24P](#) [9-1326729-8](#) [925474-1](#) [928905-1](#) [964562-4](#) [968782-1](#) [98891-1012](#) [12004475-L](#) [12020308](#) [12041318-B](#)
[12052466](#) [12064869](#) [12015909](#) [1-21030-1](#) [12041254](#) [12041318](#) [12047946-B](#) [12110546-B](#) [12131792](#) [12084688](#) [12092346](#) [HD34-18-14PT](#)
[HD46-24-23SN-059](#) [HDB36-24-16PN-059](#) [HDP26-24-9SE-L015](#) [12185280](#) [12185550](#) [12336-12](#) [12191172-B](#) [12S](#) [13545280](#) [13577943](#)
[13681974](#) [13737722-B](#) [13830674](#) [13832576](#) [13849772](#) [13542772](#)