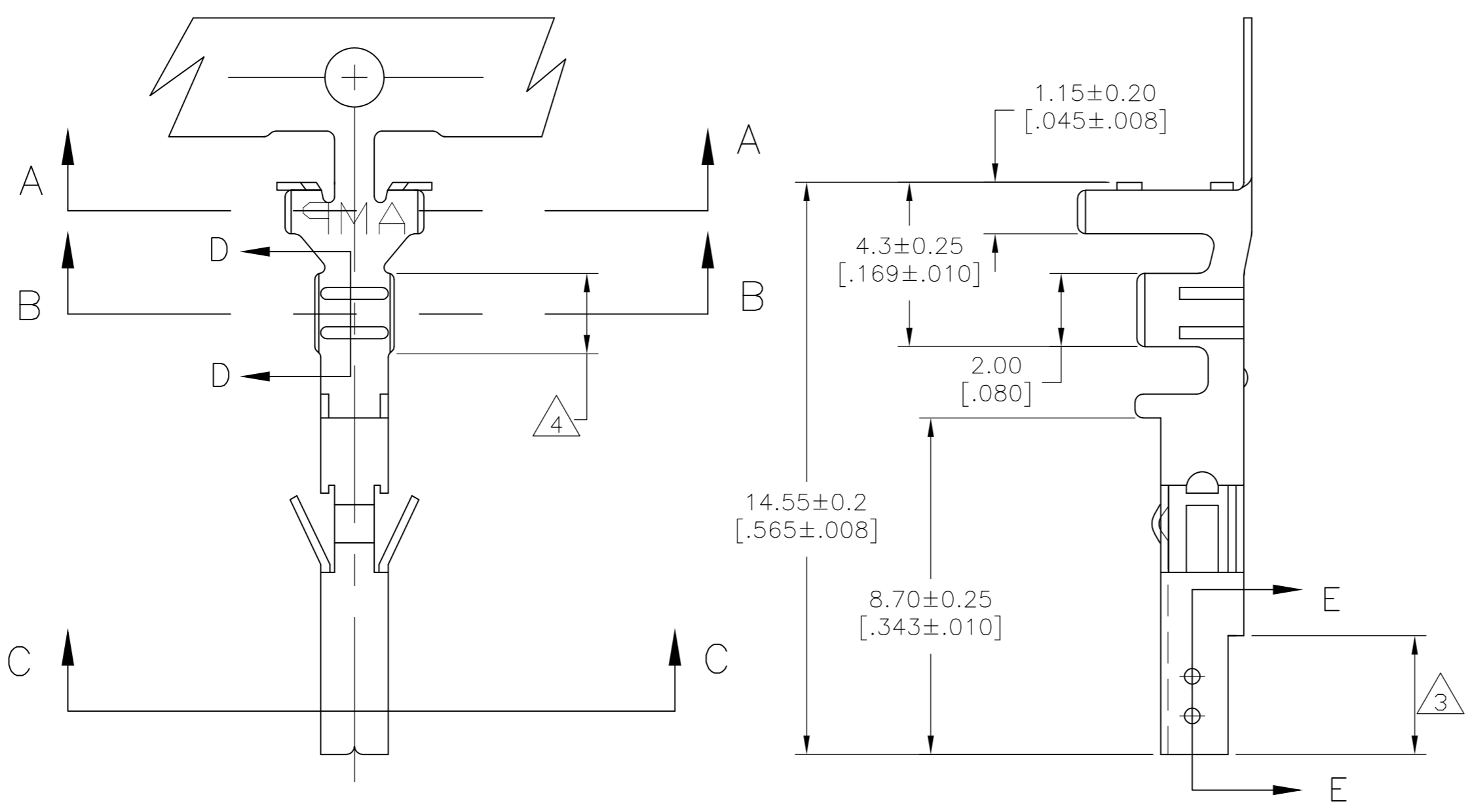
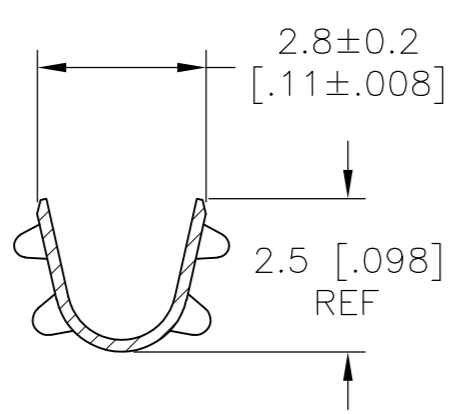


THIS DRAWING IS UNPUBLISHED. RELEASED FOR PUBLICATION  
 © COPYRIGHT - By - ALL RIGHTS RESERVED.

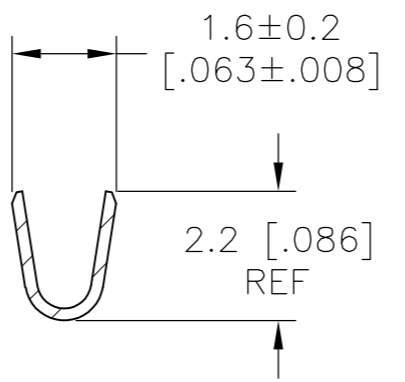
LOC		DIST		REVISIONS			
P	LTR	DESCRIPTION		DATE	DWN	APVD	
-	-	A	RELEASED PER ECO-14-004897	01APR14	JR	KR	



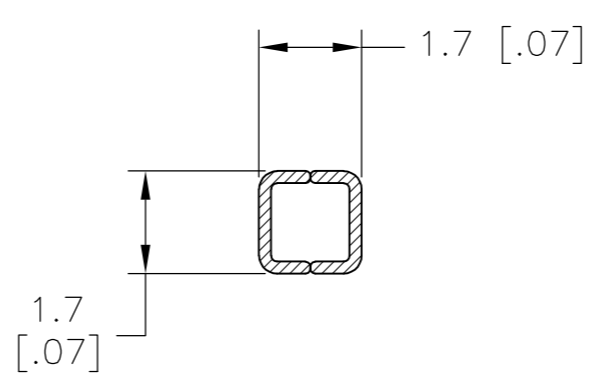
- 1 WIRE RANGE 0.13-0.3mm<sup>2</sup> [#26-#22 AWG]
- 2 INSULATION RANGE 120-1.75 [.048-.069]
- 3 FINISH: 0.76um MIN GOLD OVER 1.27um MIN NICKEL REQUIRED ON INNER SURFACE, PERMITTED ON OUTER SURFACE.
- 4 FINISH: 2.54um MIN PRE-TIN ON ALL SURFACES IN THIS AREA.
- 5 FINISH: 2.54um MIN PRE-TIN ALL OVER
- 6 PRELIMINARY - NOT FOR PRODUCTION



SECTION A-A



SECTION B-B



SECTION C-C

GOLD 3 4	PHOS BRONZE	6 2238019-4
PRE-TIN 5	PHOS BRONZE	6 2238019-3
GOLD 3 4	BRASS	6 2238019-2
PRE-TIN 5	BRASS	2238019-1
FINISH	MATERIAL	PART NO.

THIS DRAWING IS A CONTROLLED DOCUMENT.		DWN JR RUTH 10MAY2013	TE Connectivity	
DIMENSIONS: mm [INCHES]		CHK K RANDOLPH 09MAY13		
TOLERANCES UNLESS OTHERWISE SPECIFIED:		APVD K RANDOLPH 09MAY13	NAME	
0 PLC ± -		PRODUCT SPEC	SOCKET TERMINAL, VAL-U-LOK	
1 PLC ± -		APPLICATION SPEC	SIZE	RESTRICTED TO
2 PLC ± 0.10 [.004]		WEIGHT	A2	1 OF 1
3 PLC ± -		CUSTOMER DRAWING	CAGE CODE	REV
4 PLC ± -		SCALE	00779	A
ANGLES ± -		FINISH	00779	
SEE TABLE		SEE TABLE	DRAWING NO	
			C=2238019	
			SCALE 8:1	

## X-ON Electronics

Largest Supplier of Electrical and Electronic Components

*Click to view similar products for [Headers & Wire Housings](#) category:*

*Click to view products by [TE Connectivity](#) manufacturer:*

Other Similar products are found below :

[892-18-020-10-001101](#) [58102-G61-06LF](#) [582553-1](#) [0009485154](#) [009176003701906](#) [0050291907](#) [LY20-4P-DT1-P1E-BR](#) [02.125.8002.8](#)  
[609-3404](#) [61062-3](#) [61082-181009](#) [622-3653LF](#) [63453-116](#) [636-1030](#) [636-1427](#) [636-3427](#) [636-4007](#) [641938-9](#) [641991-4](#) [644827-2](#) [65817-](#)  
[010LF](#) [65817-015LF](#) [65863-015LF](#) [66207-023LF](#) [67095-007LF](#) [67601157](#) [68645-018](#) [68648-049](#) [70.362.1628.0](#) [70-4210](#) [70-4226B](#) [70-](#)  
[4853B](#) [707-5020](#) [707-5028](#) [71.350.2428.0](#) [71918-208LF](#) [71961-016LF](#) [733-134](#) [733-162](#) [754199-000](#) [760-3052](#) [787-8014-00](#) [79531-3000](#)  
[FCN-360C032-B](#) [FCN-367T-T012/H](#) [FCN-723D010/2](#) [80.063.4001.1](#) [800-90-001-10-001000](#) [800-90-010-10-002000](#) [801-43-002-10-013000](#)