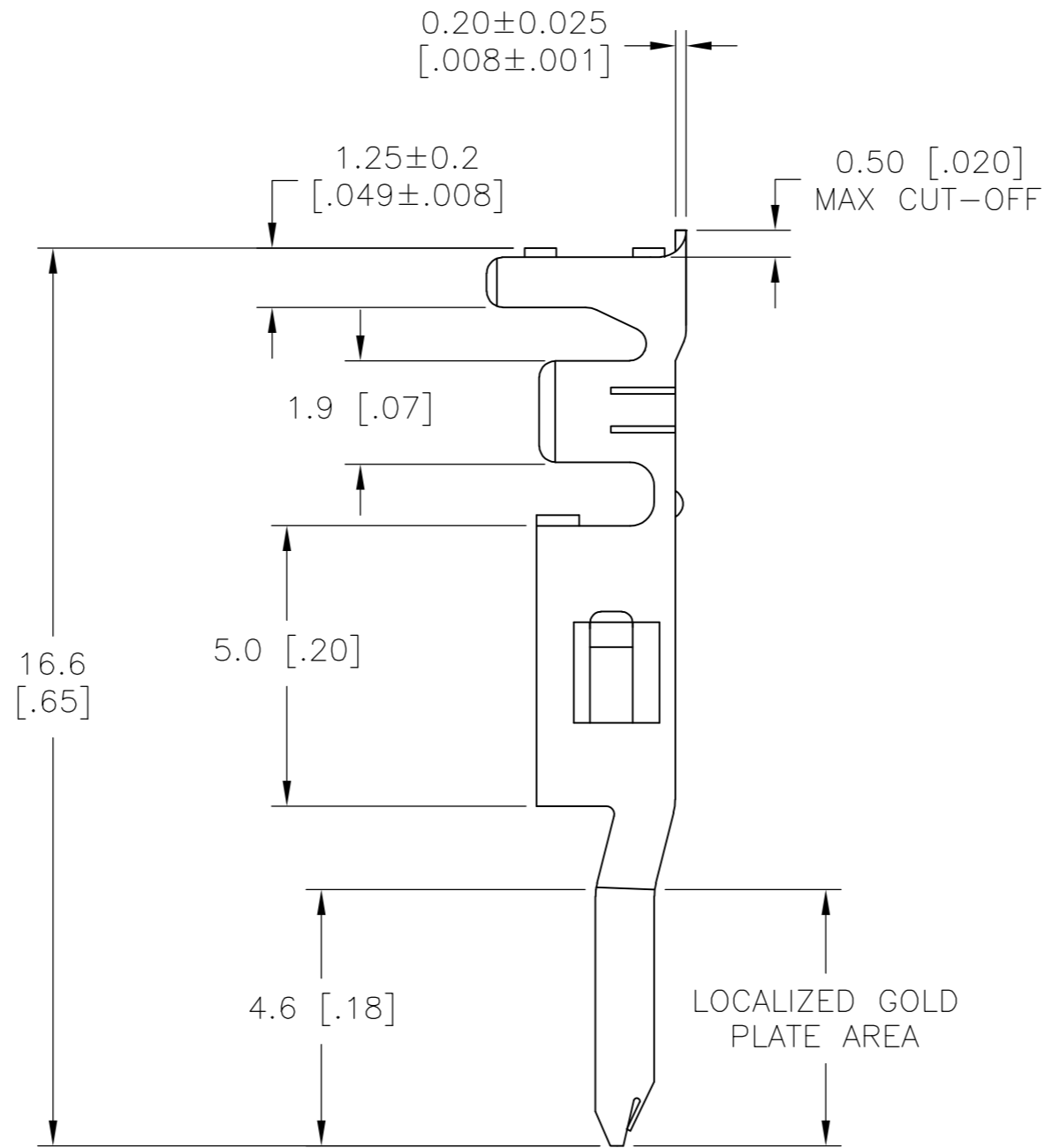
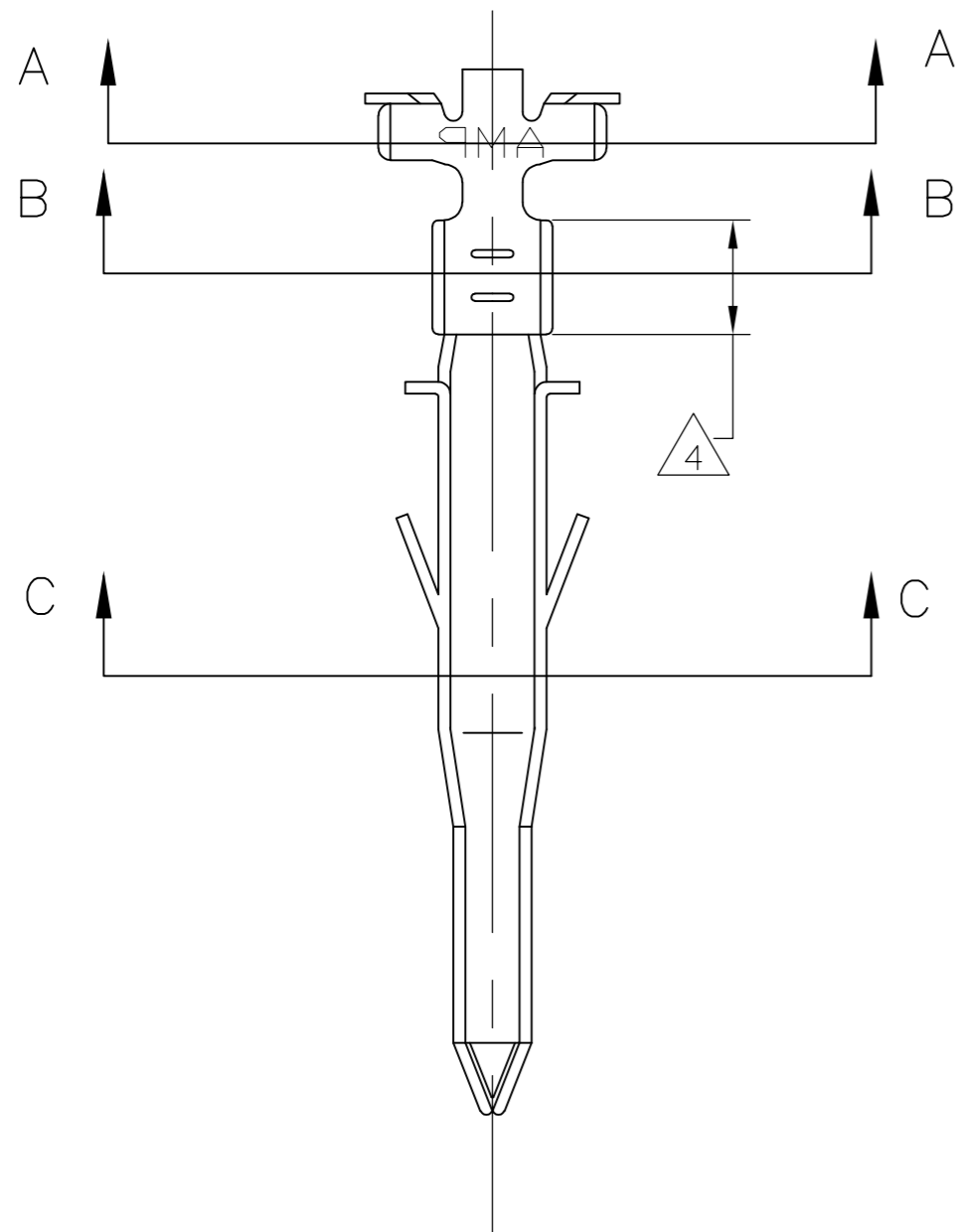
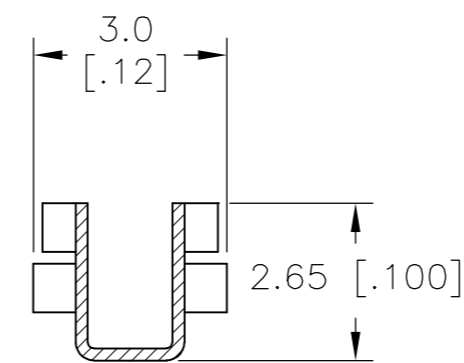
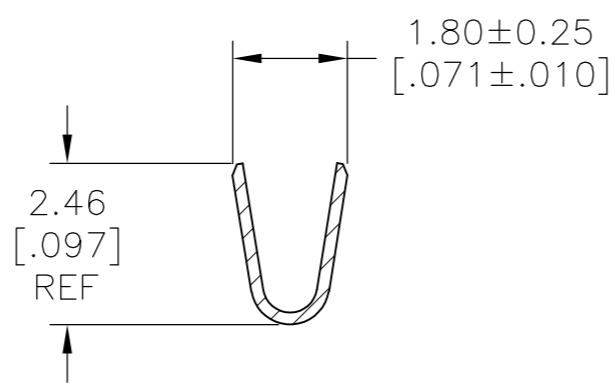
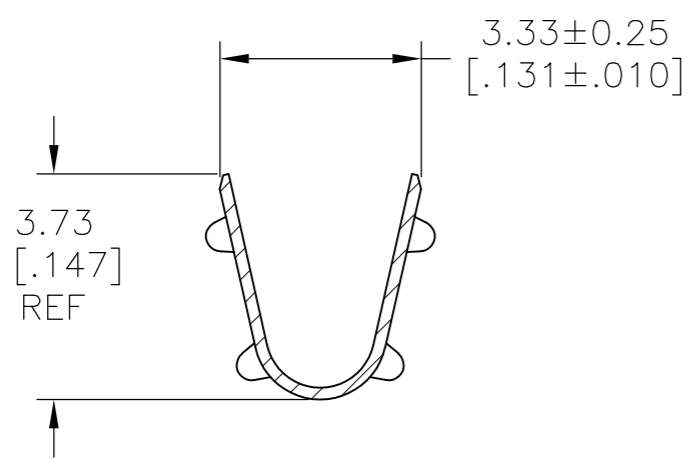


THIS DRAWING IS UNPUBLISHED. RELEASED FOR PUBLICATION
 © COPYRIGHT - By - ALL RIGHTS RESERVED.

LOC		DIST		REVISIONS			
P	LTR	DESCRIPTION	DATE	DWN	APVD		
	A	RELEASED PER ECO-14-006097	24APR14	JR	KR		



- 1 WIRE RANGE 0.3-0.82mm² [22-18 AWG]
- 2 INSULATION RANGE 1.50-3.10 [0.60-1.22]
- 3 FINISH: 0.76um MIN GOLD OVER 1.27um MIN NICKEL REQUIRED ON INNER SURFACE, PERMITTED ON OUTER SURFACE.
- 4 FINISH: 2.54um MIN PRE-TIN ON ALL SURFACES IN THIS AREA.
- 5 FINISH: 2.54um MIN PRE-TIN ALL OVER
- 6 PRELIMINARY - NOT FOR PRODUCTION



SECTION A-A

SECTION B-B

SECTION C-C

GOLD 3 4	PHOS BRONZE	6	2238020-4
PRE-TIN 5	PHOS BRONZE	6	2238020-3
GOLD 3 4	BRASS	6	2238020-2
PRE-TIN 5	BRASS		2238020-1
FINISH	MATERIAL	PART NO.	

THIS DRAWING IS A CONTROLLED DOCUMENT.		DWN JR RUTH 25FEB14	TE Connectivity	
DIMENSIONS: mm [INCHES]		CHK K RANDOLPH 25FEB14		
TOLERANCES UNLESS OTHERWISE SPECIFIED:		APVD K RANDOLPH 25FEB14	NAME	
0 PLC ± -	1 PLC ± -	PRODUCT SPEC	PIN TERMINAL, VAL-U-LOK, LOOSE PIECE	
2 PLC ± 0.10 [.004]	3 PLC ± -	APPLICATION SPEC	SIZE	RESTRICTED TO
4 PLC ± -	ANGLES ± -		A2	
MATERIAL SEE TABLE	FINISH SEE TABLE	WEIGHT -	CAGE CODE 00779	DRAWING NO C=2238020
		CUSTOMER DRAWING	SCALE 8:1	SHEET 1 of 1
			REV A	

X-ON Electronics

Largest Supplier of Electrical and Electronic Components

Click to view similar products for [Pin & Socket Connectors](#) category:

Click to view products by [TE Connectivity](#) manufacturer:

Other Similar products are found below :

[6450822-1](#) [770392-1](#) [794042-1](#) [796885-1](#) [8-794535-1](#) [PLR3455ACS-222](#) [R929991004](#) [R929993003](#) [1403611-1](#) [1-480349-5](#) [152302-5](#)
[153211-2](#) [1586092-1](#) [1586129-1](#) [1586681-4](#) [1586700-1](#) [1586368-1](#) [1586380-1](#) [1586616-1](#) [1586680-5](#) [16-06-0038](#) [164164-5](#) [1-6609930-1](#)
[172296-1](#) [19-09-2035](#) [200503-1](#) [200788-2](#) [2029090-4](#) [2029095-4](#) [925061-7](#) [293734-4](#) [293737-2](#) [1-765362-4](#) [1871534-1](#) [200833-4](#)
[2008625-2](#) [2029027-2](#) [2029096-4](#) [R929991000](#) [R929991002](#) [R929993000](#) [319-10-101-00-005000](#) [319-10-102-00-001000](#) [319-10-104-00-001000](#) [319-10-105-00-001000](#) [319-10-108-00-001000](#) [319-10-112-00-006000](#) [39-01-8019](#) [319-10-101-00-001000](#) [319-10-102-00-005000](#)