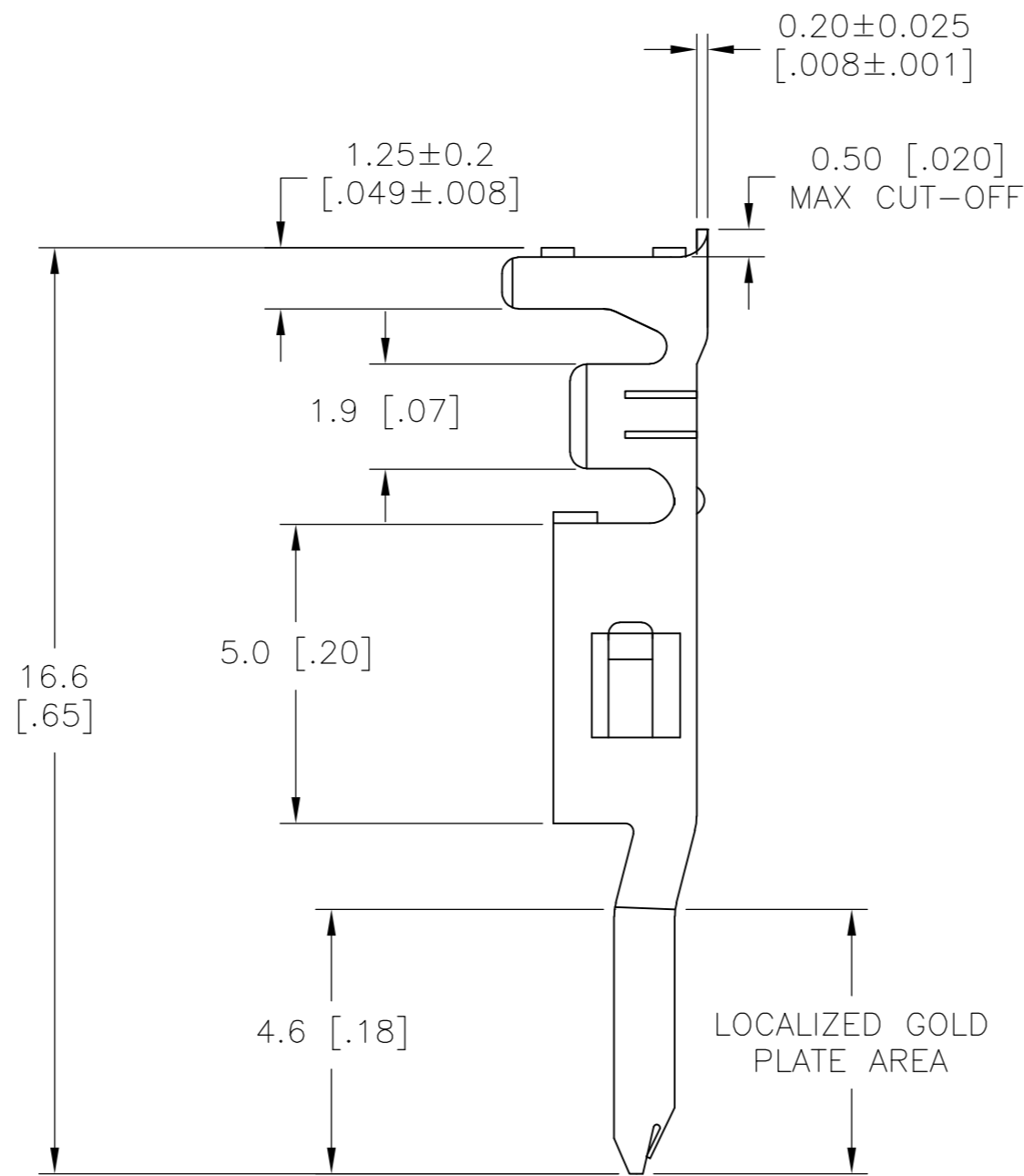
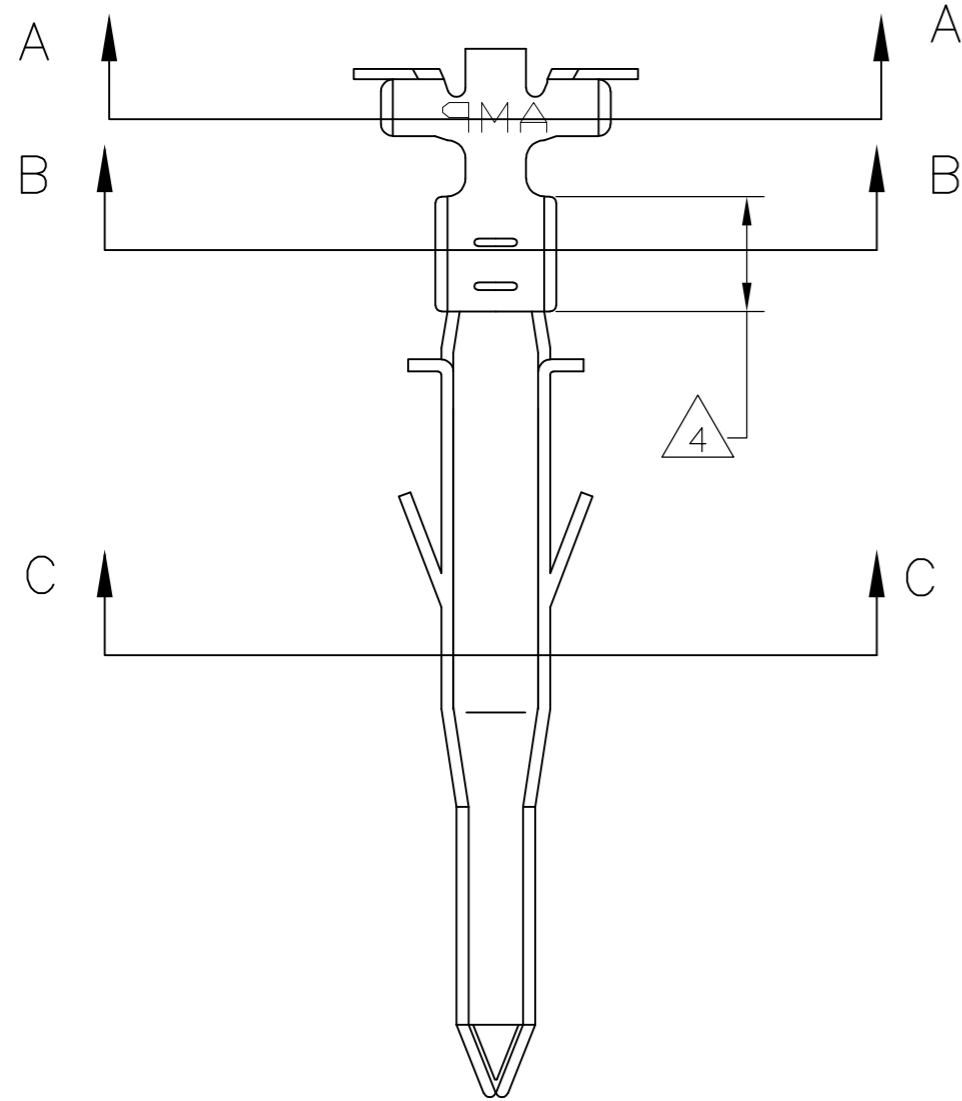
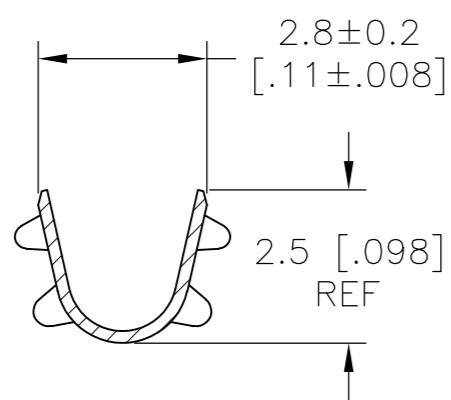


THIS DRAWING IS UNPUBLISHED. RELEASED FOR PUBLICATION
 © COPYRIGHT - By - ALL RIGHTS RESERVED.

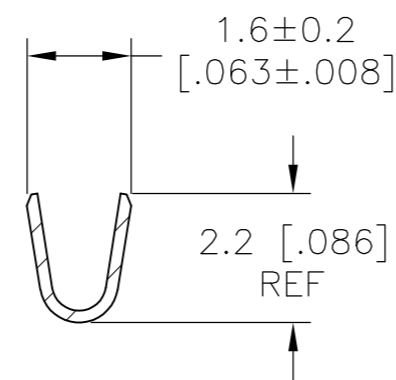
LOC		DIST		REVISIONS			
P	LTR	DESCRIPTION		DATE	DWN	APVD	
-	-	A		RELEASED PER ECO-14-006097	24APR14	JR	KR



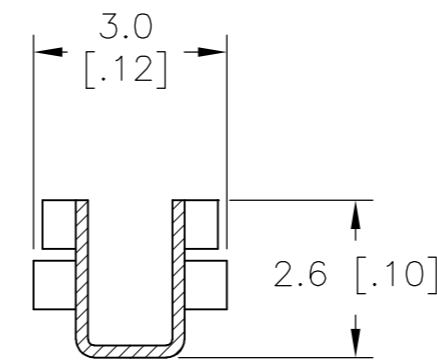
- 1 WIRE RANGE 0.13-0.3mm² [26-22 AWG]
- 2 INSULATION RANGE 1.20-1.75 [.048-.069]
- △3 FINISH: 0.76um MIN GOLD OVER 1.27um MIN NICKEL REQUIRED ON INNER SURFACE, PERMITTED ON OUTER SURFACE.
- △4 FINISH: 2.54um MIN PRE-TIN ON ALL SURFACES IN THIS AREA.
- △5 FINISH: 2.54um MIN PRE-TIN ALL OVER
- △6 PRELIMINARY - NOT FOR PRODUCTION



SECTION A-A



SECTION B-B



SECTION C-C

GOLD △3△4	PHOS BRONZE	△6 2238022-4
PRE-TIN △5	PHOS BRONZE	△6 2238022-3
GOLD △3△4	BRASS	△6 2238022-2
PRE-TIN △5	BRASS	2238022-1
FINISH	MATERIAL	PART NO.

THIS DRAWING IS A CONTROLLED DOCUMENT.		DWN JR RUTH 25FEB14	TE Connectivity	
DIMENSIONS: mm [INCHES]		CHK K RANDOLPH 25FEB14		
TOLERANCES UNLESS OTHERWISE SPECIFIED:		APVD K RANDOLPH 25FEB14	NAME	
0 PLC ± -		PRODUCT SPEC	PIN TERMINAL, VAL-U-LOK, LOOSE PIECE	
1 PLC ± -		APPLICATION SPEC	-	
2 PLC ± 0.10 [.004]		WEIGHT	SIZE A2	CAGE CODE 00779
3 PLC ± -		FINISH	DRAWING NO C=2238022	RESTRICTED TO
4 PLC ± -		SEE TABLE	SCALE 8:1	SHEET 1 OF 1
ANGLES ± -		SEE TABLE	REV A	
MATERIAL SEE TABLE		CUSTOMER DRAWING		

X-ON Electronics

Largest Supplier of Electrical and Electronic Components

Click to view similar products for [Pin & Socket Connectors](#) category:

Click to view products by [TE Connectivity](#) manufacturer:

Other Similar products are found below :

[6450822-1](#) [770392-1](#) [794042-1](#) [796885-1](#) [8-794535-1](#) [PLR3455ACS-222](#) [R929991004](#) [R929993003](#) [1403611-1](#) [1-480349-5](#) [152302-5](#)
[153211-2](#) [1586092-1](#) [1586129-1](#) [1586681-4](#) [1586700-1](#) [1586368-1](#) [1586380-1](#) [1586616-1](#) [1586680-5](#) [16-06-0038](#) [164164-5](#) [1-6609930-1](#)
[172296-1](#) [19-09-2035](#) [200503-1](#) [200788-2](#) [2029090-4](#) [2029095-4](#) [925061-7](#) [293734-4](#) [293737-2](#) [1-765362-4](#) [1-794606-3](#) [1871534-1](#)
[200833-4](#) [2008625-2](#) [2029027-2](#) [2029096-4](#) [R929991000](#) [R929991002](#) [R929993000](#) [319-10-101-00-005000](#) [319-10-102-00-001000](#)
[319-10-104-00-001000](#) [319-10-105-00-001000](#) [319-10-108-00-001000](#) [319-10-112-00-006000](#) [39-01-8019](#) [319-10-101-00-001000](#)