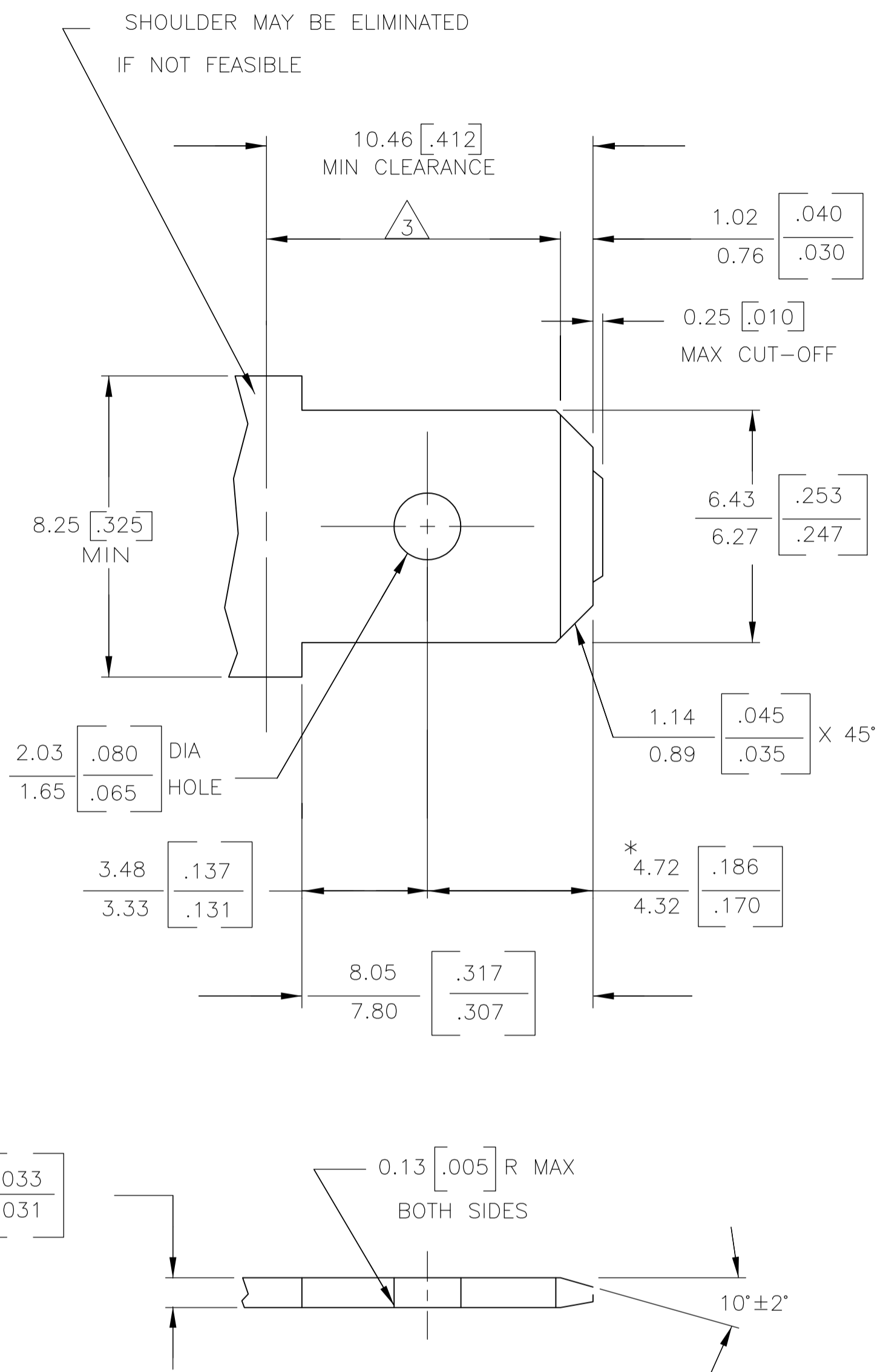
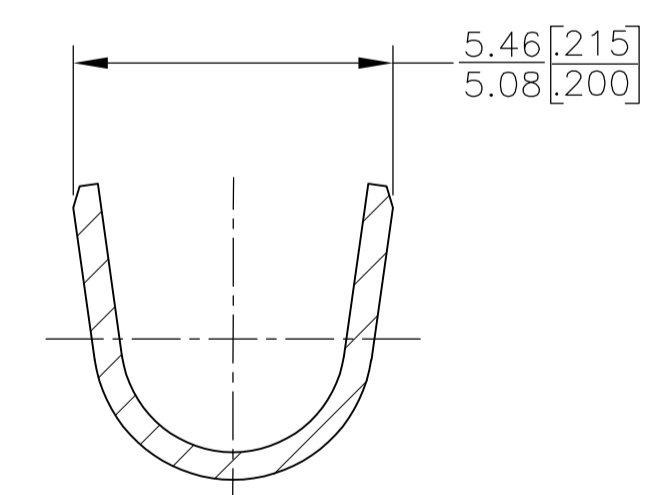
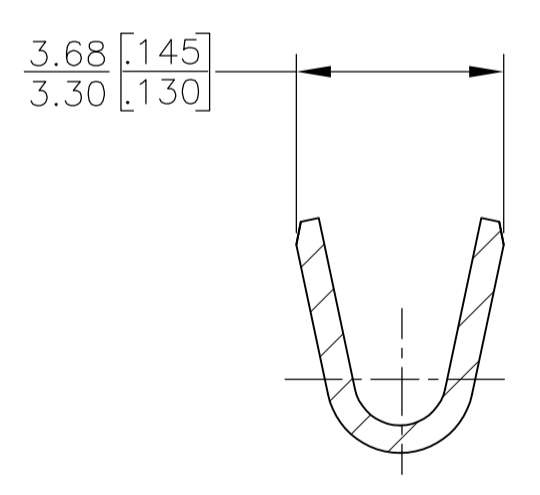
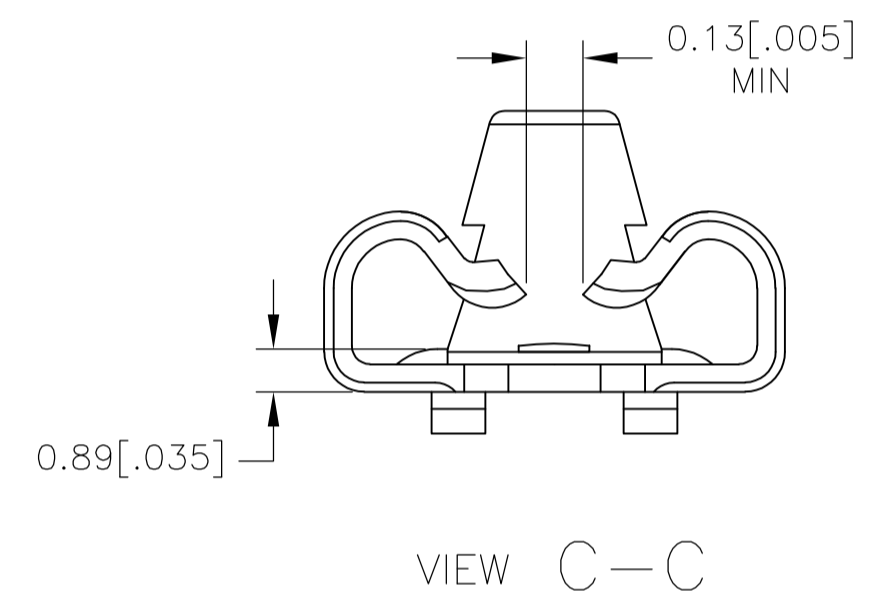
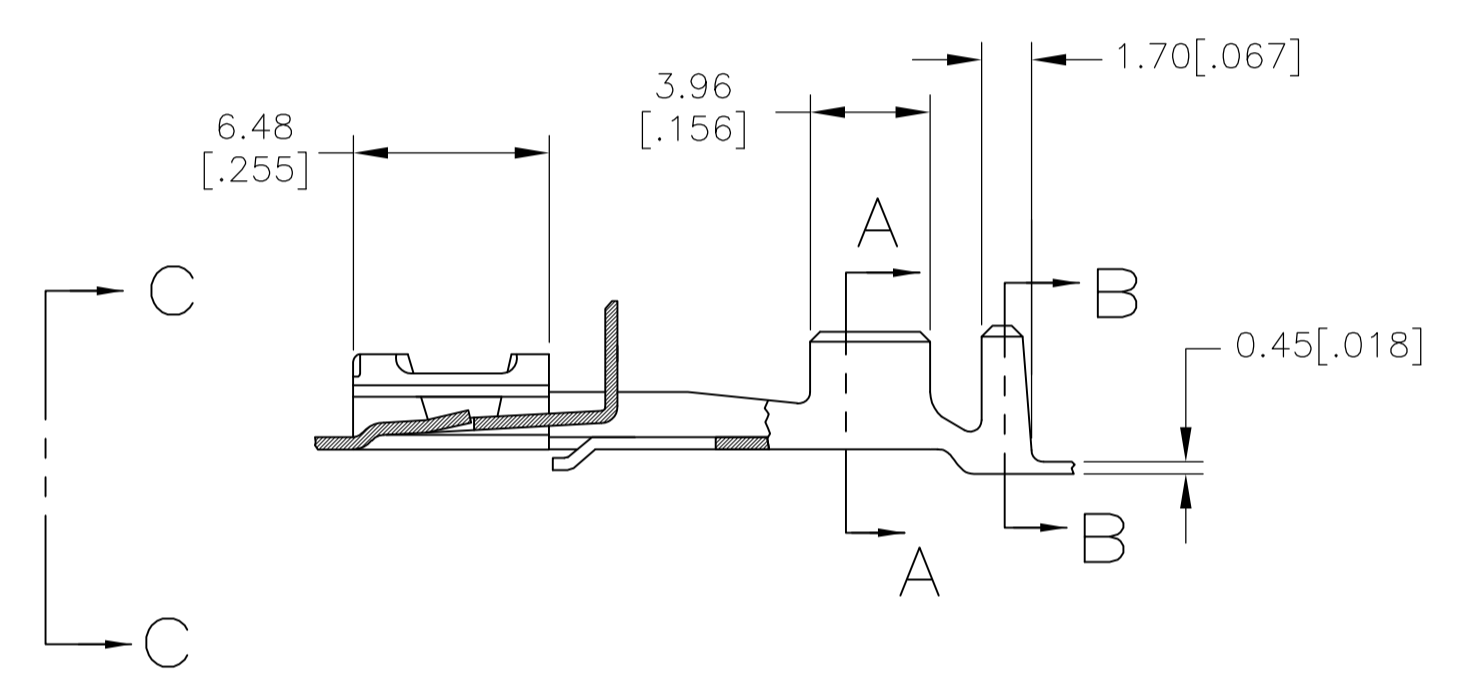
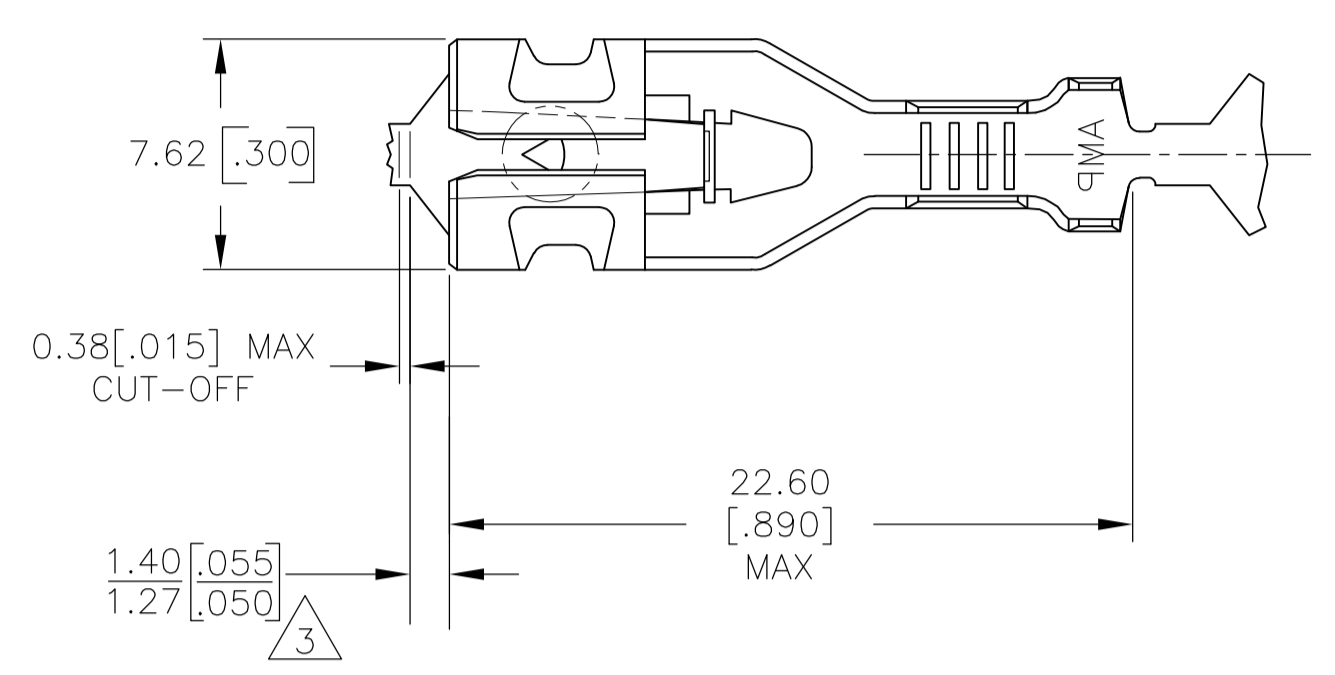


REVISIONS				
P	LTR	DESCRIPTION	DATE	BY
A1		REVISED PER ECR-17-006852	23MAY2017	BW MD

SUGGESTED MATING TAB



- MATL: ½ H BRASS OR NICKEL PL STEEL.
 - NO BURRS PERMISSIBLE AT HOLE.
 - MUST BE FLAT WITHIN 0.076 [.003] OVER THIS LENGTH.
 - TIN PLATING IS REQUIRED ON BRASS WHEN TERMINAL TEMP. IS OVER 225°F
 - HOLE MUST BE SYMMETRICAL ABOUT TAB Q̄ WITHIN 0.076 [.003]
- * TO BE USED ONLY WHEN SHOULDER IS ELIMINATED.



- DIMENSIONS IN BRACKETS ARE IN INCHES.
- PRODUCT PROVIDED IN STRIP FORM, BREAKS MAY BE PRESENT.
- THE 1.40 [.055]
1.27 [.050] DIMENSION MUST BE MAINTAINED BY THE APPLICATOR CUT-OFF TO ENSURE THE PROPER LOCKING FUNCTION OF THE RECEPTACLE.

2.29-3.94 [.090-.155] DIA	#16-#14 AWG	2238104-1
INSULATION RANGE	WIRE SIZE	PART NUMBER

THIS DRAWING IS A CONTROLLED DOCUMENT.		DIN 13APR2016 BASVESH WARAD		STE TE Connectivity	
DIMENSIONS: mm[INCHES]		CIR 13APR2016 MIKE DIDONATO		NAME	
TOLERANCES UNLESS OTHERWISE SPECIFIED:		APVD 13APR2016 MIKE DIDONATO		PRODUCT SPEC	
0 PLC ± -	1 PLC ± -	108-143022		RECPT. POSITIVE LOCK, .250 SERIES	
2 PLC ± -	3 PLC ± 0.25[.010]	APPLICATION SPEC		-	
4 PLC ± -	ANGLES ± 1°	114-2074		SIZE CASE CODE DRAWING NO	
MATERIAL -	FINISH -	WEIGHT 0		A100779C=2238104	
		CUSTOMER DRAWING		SCALE 4:1 SHEET 1 OF 1 REV A1	

X-ON Electronics

Largest Supplier of Electrical and Electronic Components

Click to view similar products for [Terminals](#) category:

Click to view products by [TE Connectivity](#) manufacturer:

Other Similar products are found below :

[00-054007-01074-6](#) [00-054007-70206-1](#) [00-054007-70210-8](#) [00-054007-70217-7](#) [00-054007-70226-9](#) [00-054007-70228-3](#) [00-054007-70248-1](#) [00-054007-70256-6](#) [00-054007-70301-3](#) [00-054007-70316-7](#) [00-054007-49560-4](#) [00-054007-70209-2](#) [00-054007-70225-2](#) [00-054007-70227-6](#) [00-054007-70231-3](#) [00-054007-70241-2](#) [00-054007-70242-9](#) [00-054007-70244-3](#) [00-054007-70246-7](#) [00-054007-70263-4](#) [00-054007-70288-7](#) [00-054007-70290-0](#) [00-054007-70300-6](#) [00-054007-70304-4](#) [01-2065-1-0216](#) [01-2900-1-04412](#) [00581P0075](#) [600TS-10](#) [60205-1](#) [604200-1](#) [605601-1](#) [60598-1-CUT-TAPE](#) [61314-6-C](#) [61810-3](#) [61-S](#) [61-SN](#) [626-0194](#) [62-NBM-A](#) [62-SN](#) [62-SP](#) [63-S](#) [640179-1](#) [M55155/059I03](#) [M55155/079C01](#) [M55155/099H02](#) [M55155/109H01](#) [M55155/109H02](#) [M55155/12XH05](#) [M55155/16XH02](#) [M55155/29-5S](#)