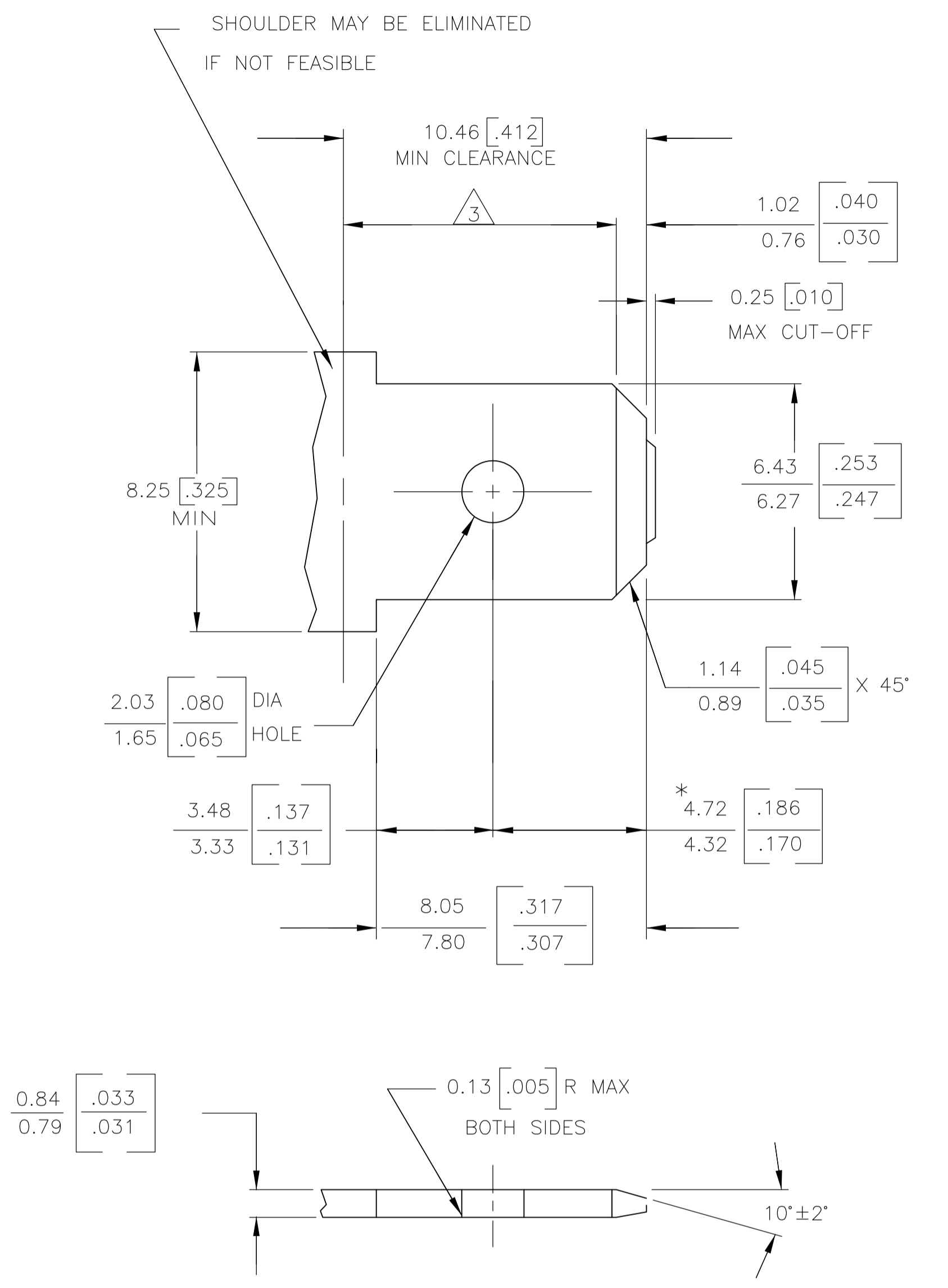
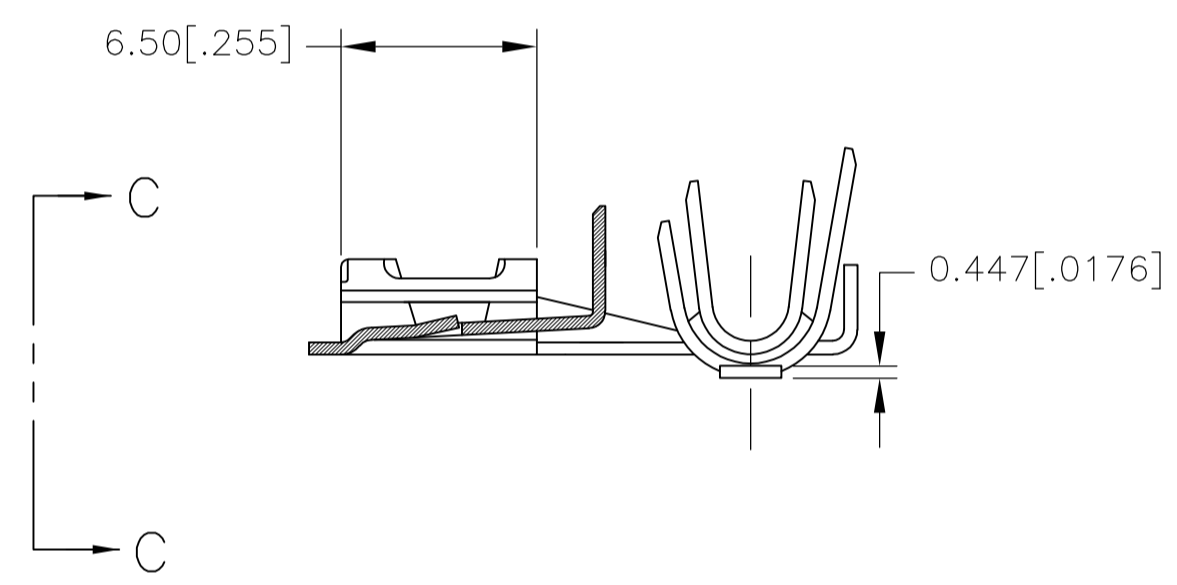
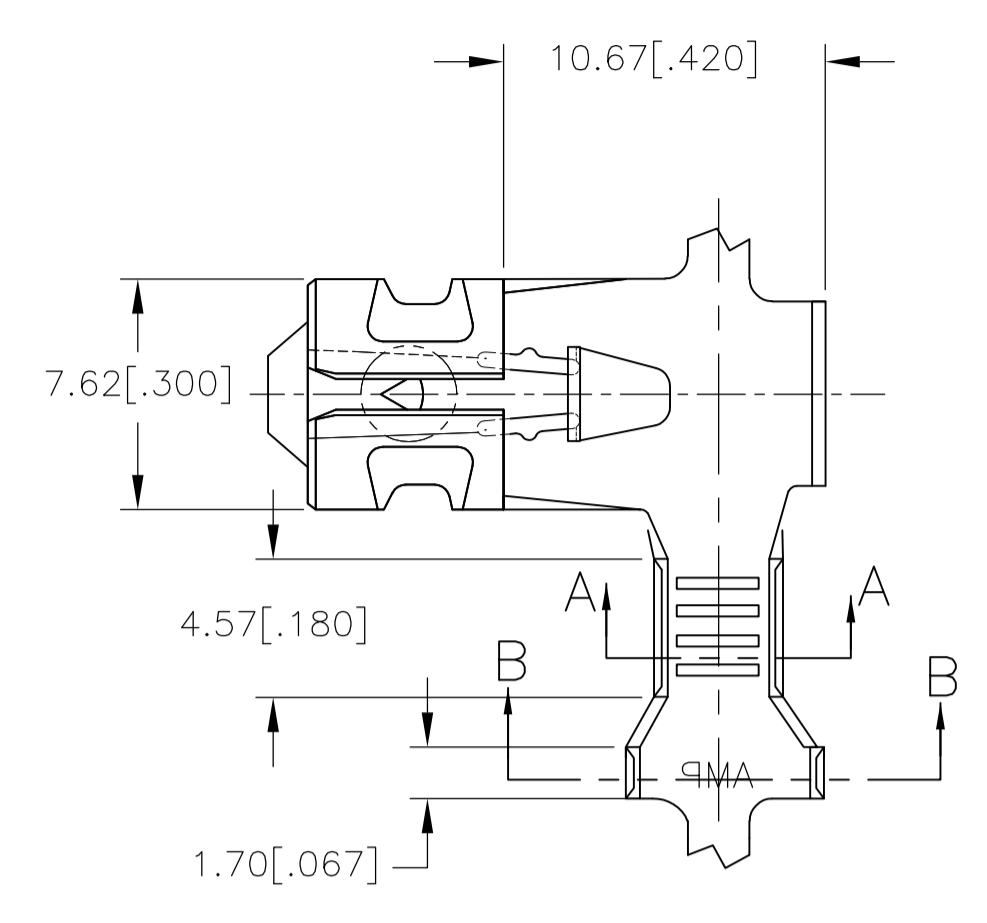


REVISIONS				
REV	DATE	DESCRIPTION	BY	APPV
A	07MAR2017	REVISED PER ECR-17-002946	BW	MD

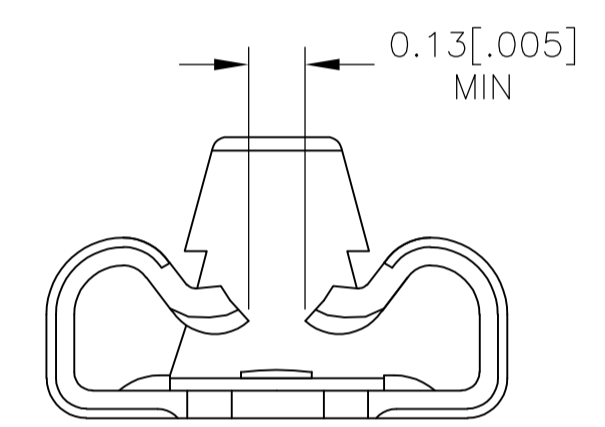
# SUGGESTED MATING TAB



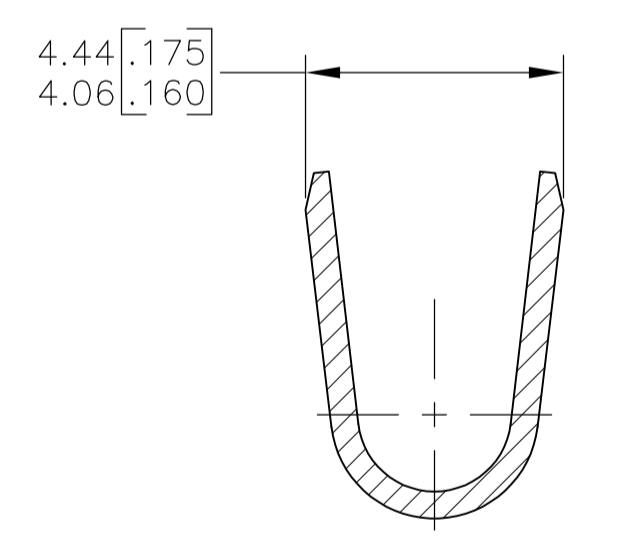
- MATL: 1/2 H BRASS OR NICKEL PL STEEL.
  - NO BURRS PERMISSIBLE AT HOLE.
  - MUST BE FLAT WITHIN 0.076 [.003] OVER THIS LENGTH.
  - TIN PLATING IS REQUIRED ON BRASS WHEN TERMINAL TEMP. IS OVER 225°F
  - HOLE MUST BE SYMMETRICAL ABOUT TAB Q WITHIN 0.076 [.003]
- \* TO BE USED ONLY WHEN SHOULDER IS ELIMINATED.



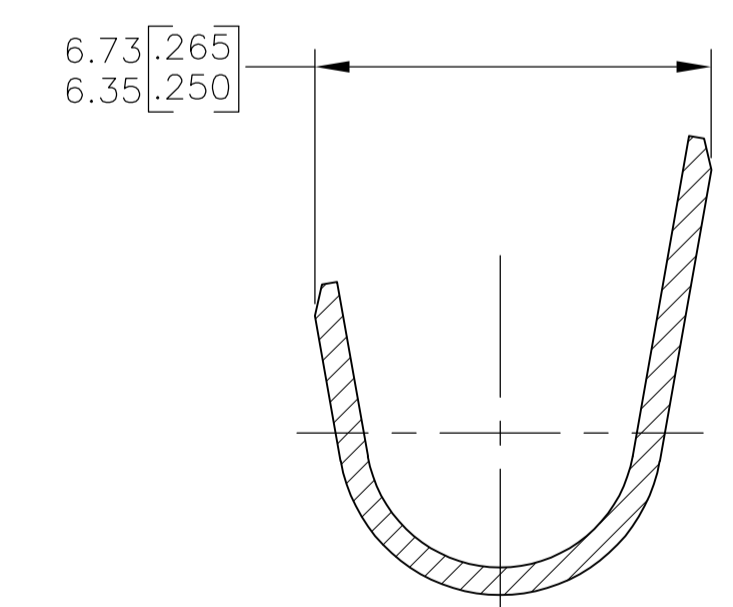
- DIMENSIONS IN BRACKETS ARE IN INCHES.
- PRODUCT PROVIDED IN STRIP FORM, BREAKS MAY BE PRESENT.
- FIRST ARTICLE APPROVAL REQUIRED
- THIS PART HAS NOT COMPLETED QUALIFICATION TESTING



VIEW C-C  
SCALE 8:1



SECTION A-A  
SCALE 8:1



SECTION B-B  
SCALE 8:1

3.81-5.08 [.150-.200] DIA	#12-#10 AWG	2238106-1
INSULATION RANGE	WIRE SIZE	PART NUMBER

THIS DRAWING IS A CONTROLLED DOCUMENT.		DIN: BASVESH WARAD 04MAY2016		NAME: RECEPTACLE, FLAG, POSITIVE-LOCK, .250 SERIES	
DIMENSIONS: mm[INCHES]		CHK: MIKE DIDONATO 04MAY2016		APPROVED: MIKE DIDONATO 04MAY2016	
TOLERANCES UNLESS OTHERWISE SPECIFIED:		0 PLC ± -		SIZE: A1	
1 PLC ± -		1 PLC ± -		CAGE CODE: 00779	
2 PLC ± -		2 PLC ± -		DRAWING NO: 2238106	
3 PLC ± 0.25[.010]		3 PLC ± 0.25[.010]		SCALE: 4:1	
4 PLC ± -		4 PLC ± -		SHEET 1 OF 1	
ANGLES ± -		ANGLES ± -		REV: A	
MATERIAL: -		FINISH: -		CUSTOMER DRAWING	

## X-ON Electronics

Largest Supplier of Electrical and Electronic Components

*Click to view similar products for [Headers & Wire Housings](#) category:*

*Click to view products by [TE Connectivity](#) manufacturer:*

Other Similar products are found below :

[95000-104TRLF](#) [10135584-644402LF](#) [DF62W-EP2022PCA](#) [95000-106TRLF](#) [DF62W-2022SCA](#) [DF62W-EP2022PC](#) [2203348](#) [DF62W-2022SC](#) [1084018](#) [1029039](#) [1084017](#) [802-10-012-10-002000](#) [1112640](#) [1112639](#) [000-34000](#) [0009482033](#) [0009507031](#) [57102-S06-03LF](#) [57202-S52-04LF](#) [PCN6-15S-2.5E](#) [0039019024](#) [58102-G61-06LF](#) [582553-1](#) [0009508121](#) [0050291907](#) [018731A](#) [LY20-4P-DT1-P1E-BR](#) [02.125.8002.8](#) [60101931](#) [60598-1 \(Cut Strip\)](#) [M1625-3R/100](#) [61062-3](#) [61082-181009](#) [636-1427](#) [638009-1](#) [641938-9](#) [641991-4](#) [644168-1](#) [647662-1](#) [65039-019ELF](#) [65817-002LF](#) [65817-015LF](#) [65863-015LF](#) [66207-023LF](#) [67016-026LF](#) [67046-001LF](#) [67095-007LF](#) [68002-116](#) [68016-236H](#) [68648-049](#)