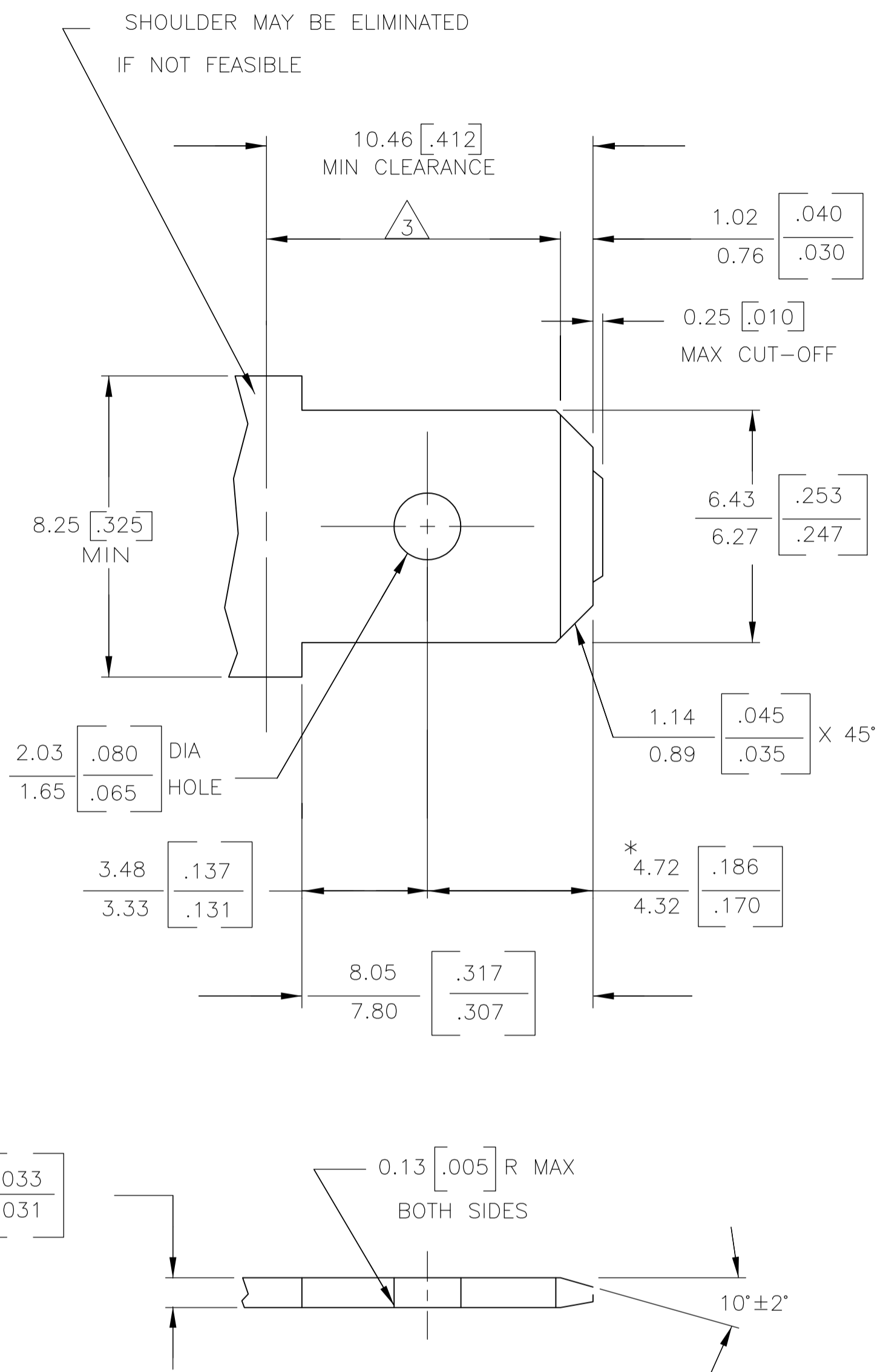
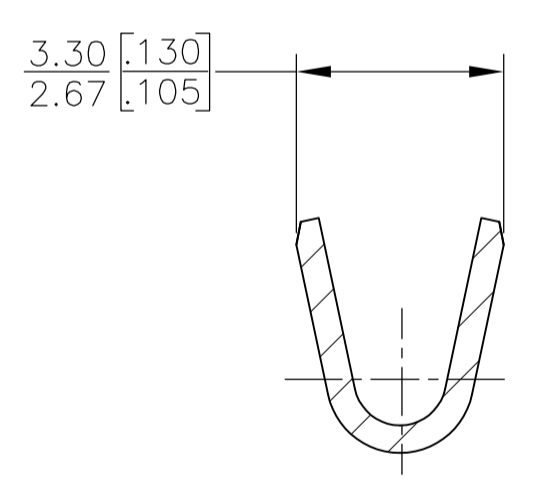
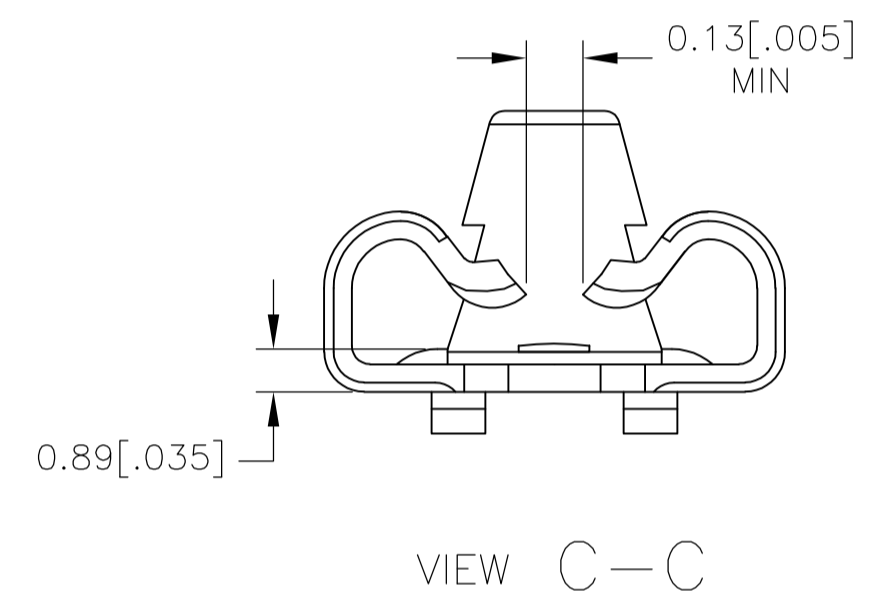
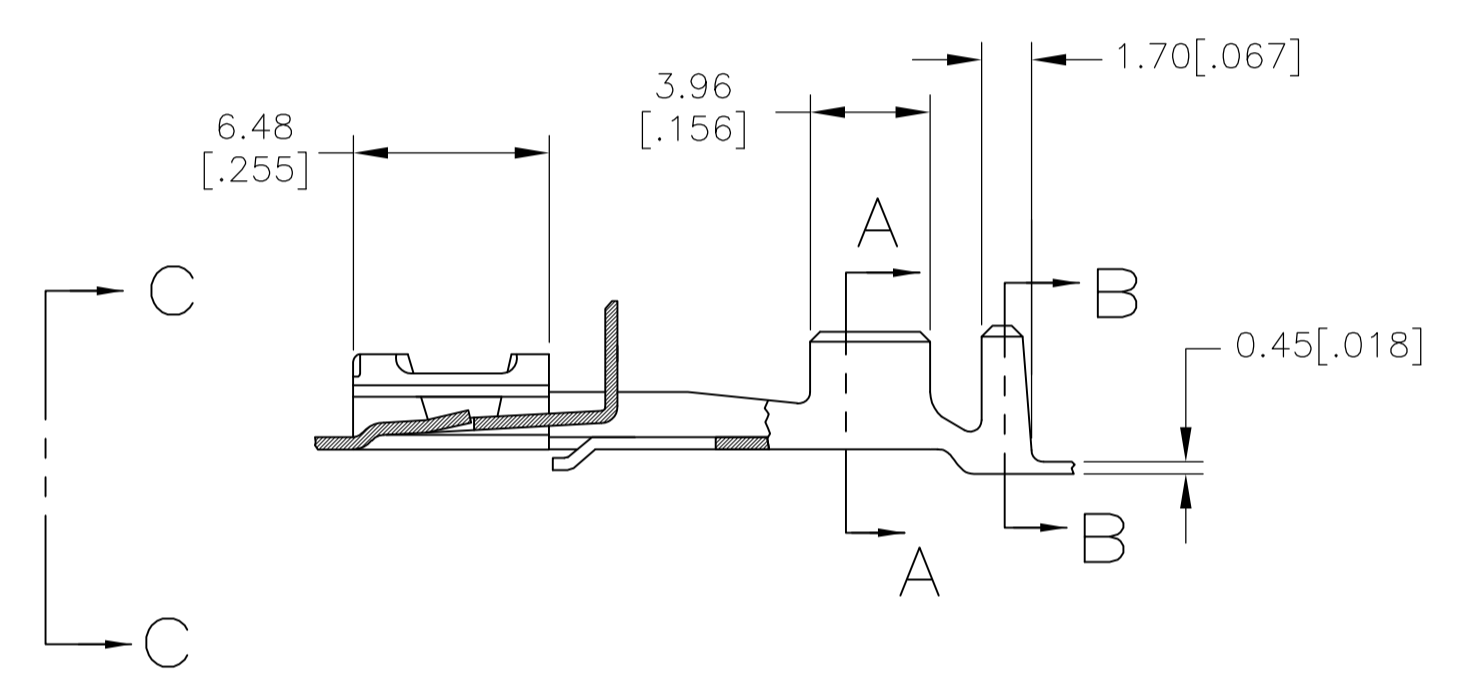
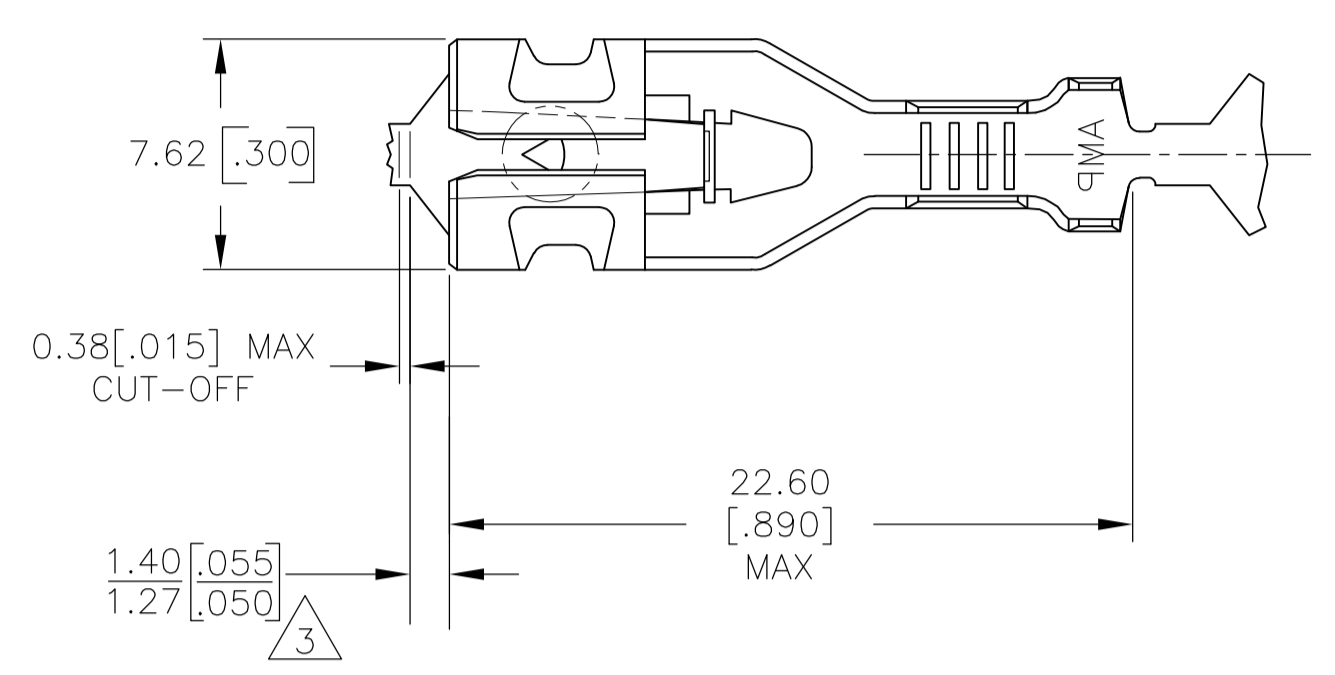


REVISIONS					
P	LYR	DESCRIPTION	DATE	DMN	APVD
A1		REVISED PER ECR-17-006852	23MAY2017	BW	MD

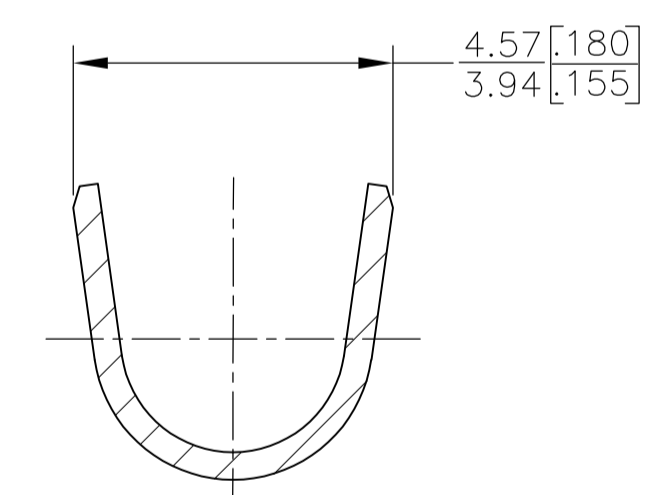
SUGGESTED MATING TAB



- MATL: 1/2 H BRASS OR NICKEL PL STEEL.
 - NO BURRS PERMISSIBLE AT HOLE.
 - MUST BE FLAT WITHIN 0.076 [.003] OVER THIS LENGTH.
 - TIN PLATING IS REQUIRED ON BRASS WHEN TERMINAL TEMP. IS OVER 225°F
 - HOLE MUST BE SYMMETRICAL ABOUT TAB Q_L WITHIN 0.076 [.003]
- * TO BE USED ONLY WHEN SHOULDER IS ELIMINATED.



SECTION A-A
SCALE 8:1



SECTION B-B
SCALE 8:1

- DIMENSIONS IN BRACKETS ARE IN INCHES.
- PRODUCT PROVIDED IN STRIP FORM, BREAKS MAY BE PRESENT.
- THE 1.40 [.055] / 1.27 [.050] DIMENSION MUST BE MAINTAINED BY THE APPLICATOR CUT-OFF TO ENSURE THE PROPER LOCKING FUNCTION OF THE RECEPTACLE.

1.52-2.54 [.060-.100] DIA	#22-#18 AWG	2238139-1
INSULATION RANGE	WIRE SIZE	PART NUMBER

THIS DRAWING IS A CONTROLLED DOCUMENT.		DIN 25NOV2016 BASVESH WARAD		TE Connectivity	
DIMENSIONS: mm[INCHES]		CHK MIKE DIDONATO 25NOV2016		NAME	
TOLERANCES UNLESS OTHERWISE SPECIFIED:		APVD MIKE DIDONATO 25NOV2016		RECPT, POSITIVE LOCK, .250 SERIES	
0 PLC ± -	1 PLC ± -	PRODUCT SPEC		108-143022	
2 PLC ± -	3 PLC ± 0.25[.010]	APPLICATION SPEC		114-2074	
4 PLC ± ± 1°	ANGLES	WEIGHT 0		SIZE CAGE CODE DRAWING NO RESTRICTED TO	
MATERIAL -	FINISH -	A100779		C=2238139	
CUSTOMER DRAWING		SCALE 4:1		SHEET 1 OF 1 REV A1	

X-ON Electronics

Largest Supplier of Electrical and Electronic Components

Click to view similar products for [Terminals](#) category:

Click to view products by [TE Connectivity](#) manufacturer:

Other Similar products are found below :

[00-054007-01074-6](#) [00-054007-70206-1](#) [00-054007-70210-8](#) [00-054007-70217-7](#) [00-054007-70226-9](#) [00-054007-70228-3](#) [00-054007-70248-1](#) [00-054007-70256-6](#) [00-054007-70301-3](#) [00-054007-70316-7](#) [00-054007-49560-4](#) [00-054007-70209-2](#) [00-054007-70225-2](#) [00-054007-70227-6](#) [00-054007-70231-3](#) [00-054007-70241-2](#) [00-054007-70242-9](#) [00-054007-70244-3](#) [00-054007-70246-7](#) [00-054007-70263-4](#) [00-054007-70288-7](#) [00-054007-70290-0](#) [00-054007-70300-6](#) [00-054007-70304-4](#) [01-2065-1-0216](#) [01-2900-1-04412](#) [00581P0075](#) [600TS-10](#) [60205-1](#) [604200-1](#) [605601-1](#) [60598-1-CUT-TAPE](#) [61314-6-C](#) [61810-3](#) [61-S](#) [61-SN](#) [626-0194](#) [62-NBM-A](#) [62-SN](#) [62-SP](#) [63-S](#) [640179-1](#) [M55155/059I03](#) [M55155/079C01](#) [M55155/099H02](#) [M55155/109H01](#) [M55155/109H02](#) [M55155/12XH05](#) [M55155/16XH02](#) [M55155/29-5S](#)