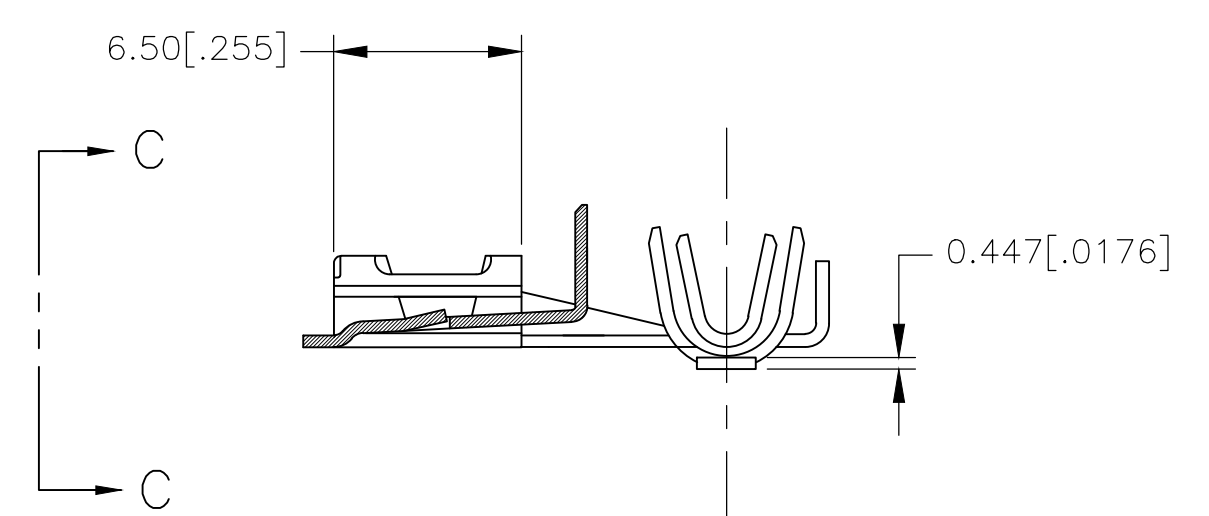
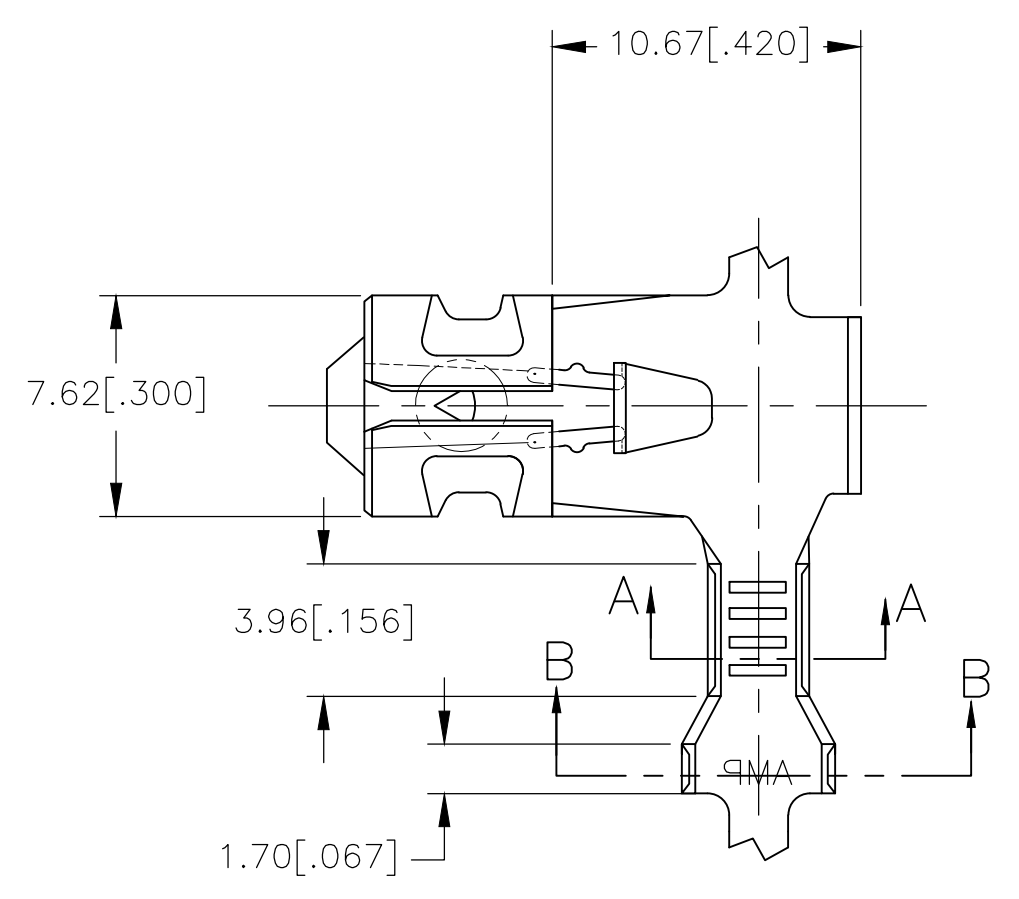
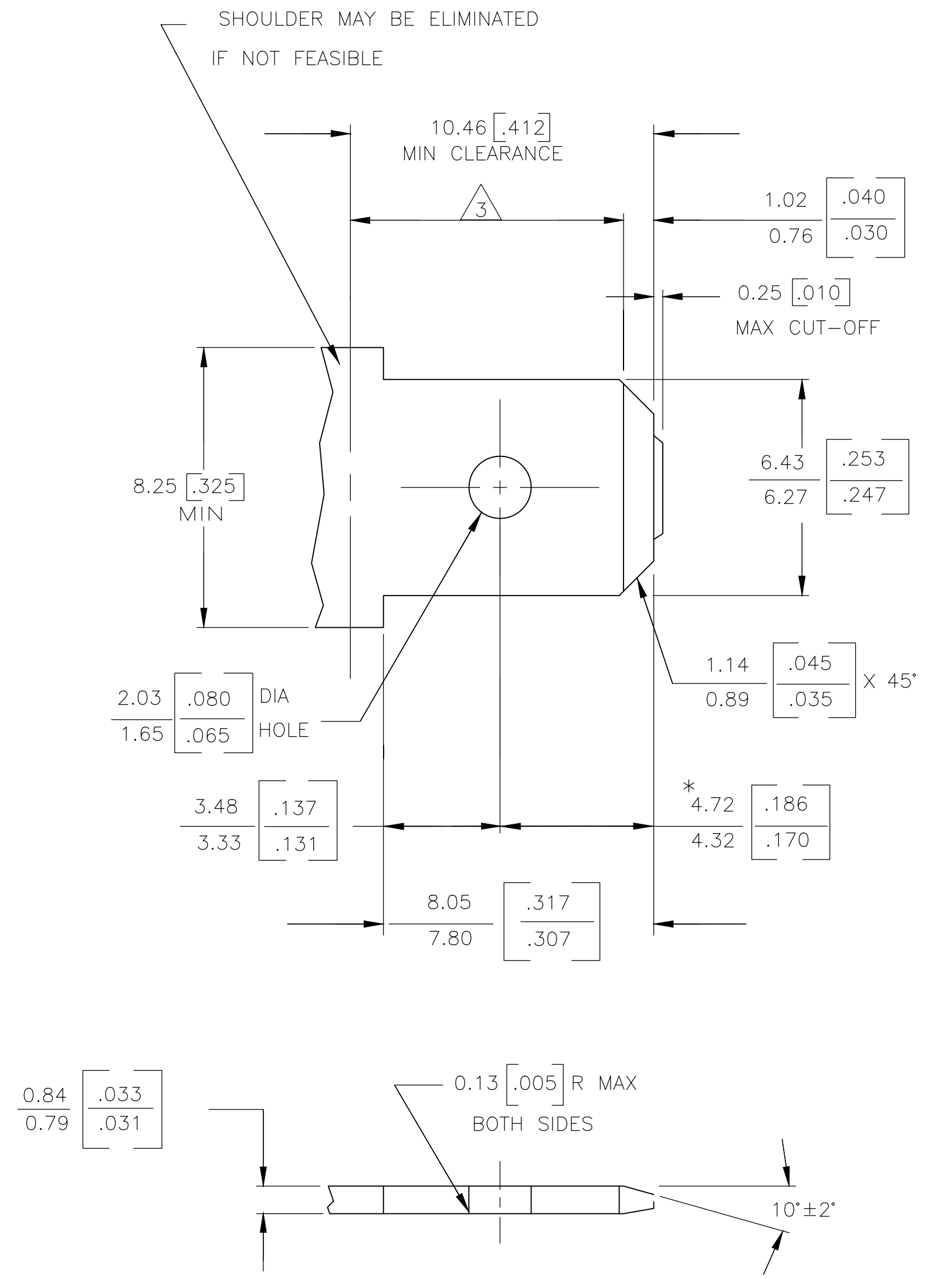
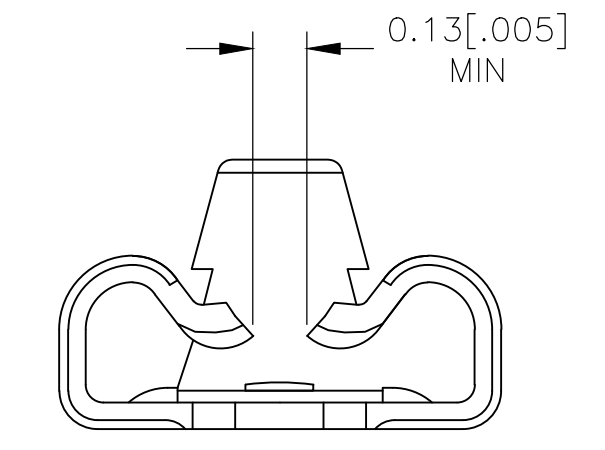


REVISIONS				
P	LTN	DESCRIPTION	DATE	APVD
A2		UPDATED PER ECR-18-014679	10OCT2018	K.Y. D.T.

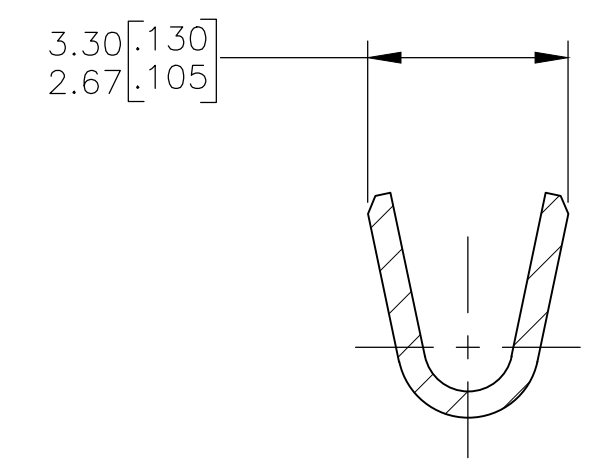
### SUGGESTED MATING TAB



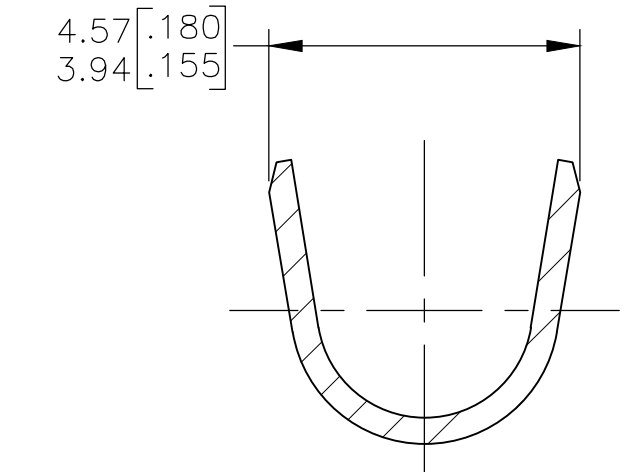
- 1 DIMENSIONS IN BRACKETS ARE IN INCHES.
- 2 PRODUCT PROVIDED IN STRIP FORM, BREAKS MAY BE PRESENT.
- 3 THIS PART HAS NOT COMPLETED QUALIFICATION TESTING



VIEW C-C  
SCALE 8:1



SECTION A-A  
SCALE 8:1



SECTION B-B  
SCALE 8:1

- 1 MATL: ½ H BRASS OR NICKEL PL STEEL.
  - 2 NO BURRS PERMISSIBLE AT HOLE.
  - 3 MUST BE FLAT WITHIN 0.076 [.003] OVER THIS LENGTH.
  - 4 TIN PLATING IS REQUIRED ON BRASS WHEN TERMINAL TEMP. IS OVER 225°F
  - 5 HOLE MUST BE SYMMETRICAL ABOUT TAB C<sub>L</sub> WITHIN 0.076 [.003]
- \* TO BE USED ONLY WHEN SHOULDER IS ELIMINATED.

1.52-2.54 [.060-.100] DIA	#22-#18 AWG	2238141-1
INSULATION RANGE	WIRE SIZE	PART NUMBER

THIS DRAWING IS A CONTROLLED DOCUMENT.		DWN: BASVESH WARAD 07MAR2017	TE Connectivity	
DIMENSIONS: mm(INCHES)		CHK: MIKE DIDONATO 07MAR2017	RECEPTACLE, FLAG, POSITIVE-LOCK, .250 SERIES	
TOLERANCES UNLESS OTHERWISE SPECIFIED:		APD: MIKE DIDONATO 07MAR2017	APPLICATION SPEC	
0 PLC	± .01	PRODUCT SPEC		RESTRICTED TO
1 PLC	± .02	APPLY SPEC		SIZE
2 PLC	± .03	WEIGHT		CAGE CODE
3 PLC	± 0.25(.010)	SCALE		DRAWING NO
4 PLC	± .05	SHEET		REV
ANGLES	± .05	CUSTOMER DRAWING		A2

## X-ON Electronics

Largest Supplier of Electrical and Electronic Components

*Click to view similar products for [Headers & Wire Housings](#) category:*

*Click to view products by [TE Connectivity](#) manufacturer:*

Other Similar products are found below :

[95000-104TRLF](#) [10135584-644402LF](#) [DF62W-EP2022PCA](#) [95000-106TRLF](#) [DF62W-2022SCA](#) [DF62W-EP2022PC](#) [2203348](#) [DF62W-2022SC](#) [1084018](#) [1029039](#) [1084017](#) [802-10-012-10-002000](#) [1112640](#) [1112639](#) [000-34000](#) [0009482033](#) [0009507031](#) [57102-S06-03LF](#) [57202-S52-04LF](#) [PCN6-15S-2.5E](#) [0039019024](#) [58102-G61-06LF](#) [582553-1](#) [0009508121](#) [0050291907](#) [018731A](#) [LY20-4P-DT1-P1E-BR](#) [02.125.8002.8](#) [60101931](#) [60598-1 \(Cut Strip\)](#) [M1625-3R/100](#) [61062-3](#) [61082-181009](#) [636-1427](#) [638009-1](#) [641938-9](#) [641991-4](#) [644168-1](#) [647662-1](#) [65039-019ELF](#) [65817-002LF](#) [65817-015LF](#) [65863-015LF](#) [66207-023LF](#) [67016-026LF](#) [67046-001LF](#) [67095-007LF](#) [68002-116](#) [68016-236H](#) [68648-049](#)