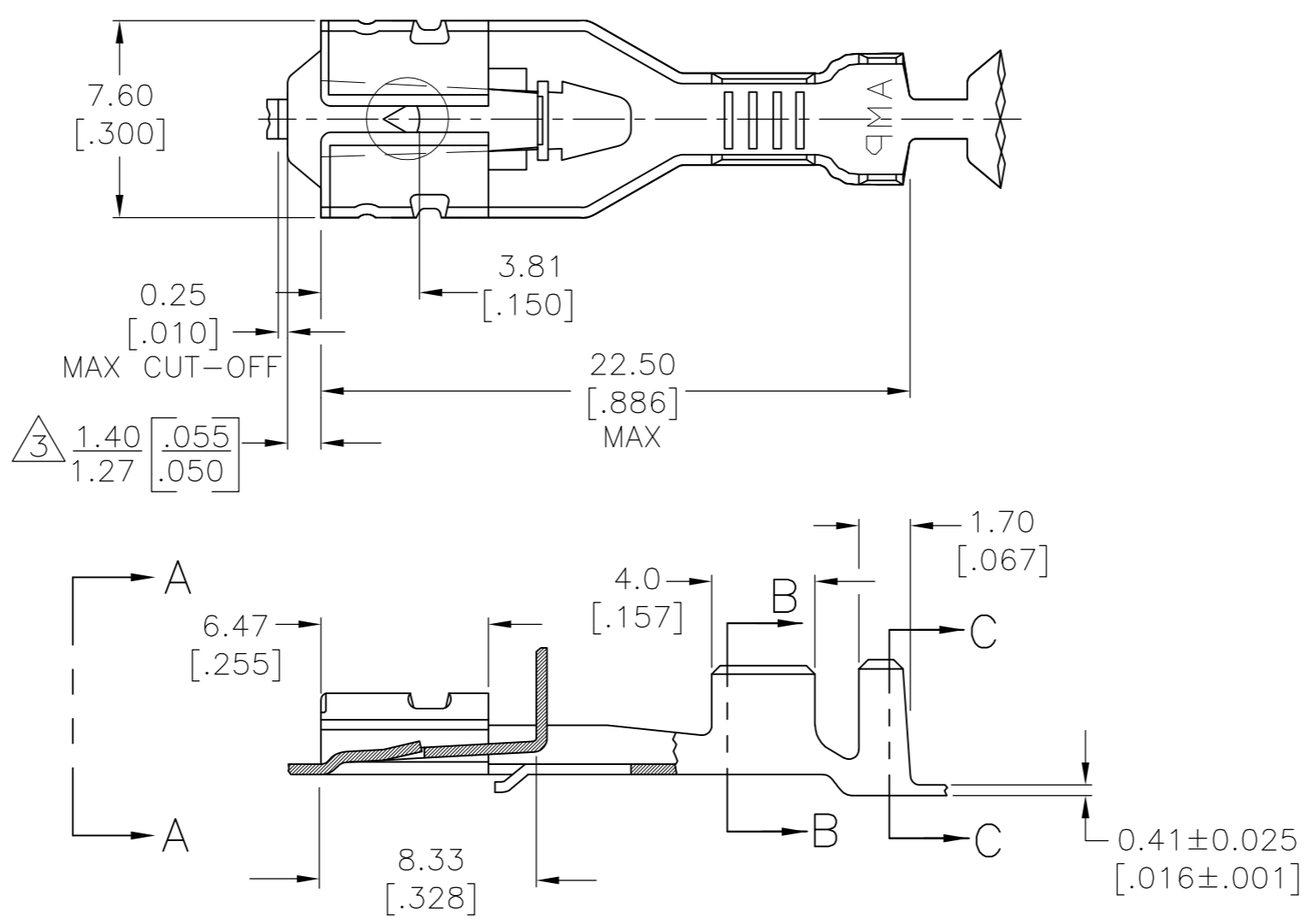
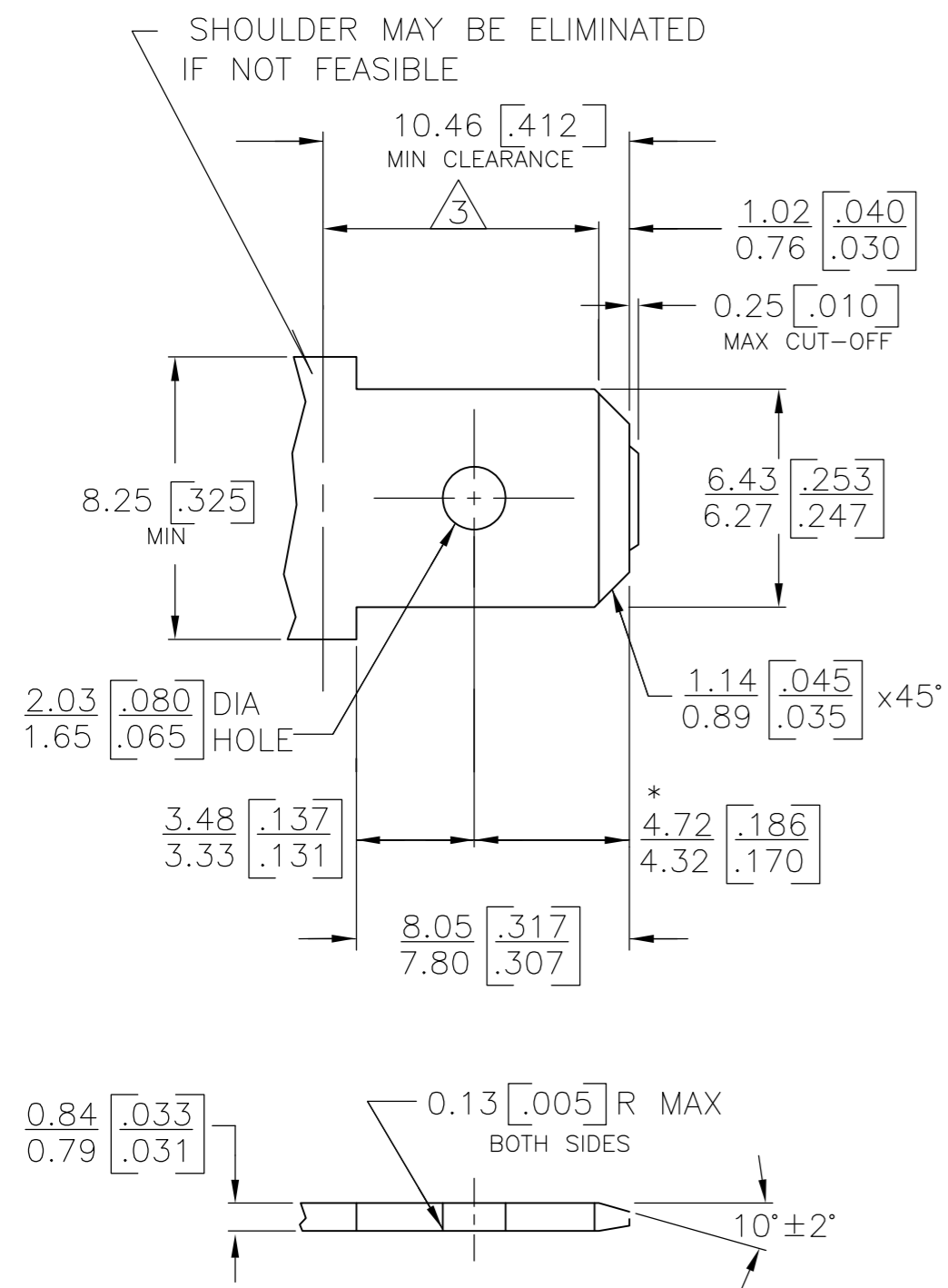


THIS DRAWING IS UNPUBLISHED. RELEASED FOR PUBLICATION
 © COPYRIGHT BY- TE CONNECTIVITY ALL RIGHTS RESERVED.

| REVISIONS | | | | | |
|-----------|-----|---------------------------|-----------|-----|------|
| P | LTR | DESCRIPTION | DATE | DWN | APVD |
| A2 | | REVISED PER ECR-17-014411 | 03OCT2017 | BDA | MD |

SUGGESTED MATING TAB



- DIMENSIONS IN BRACKETS ARE IN INCHES.
- PRODUCT PROVIDED IN STRIP FORM, BREAKS MAY BE PRESENT.
- THE 1.40 [.055] / 1.27 [.050] DIMENSION MUST BE MAINTAINED BY THE APPLICATOR CUT-OFF TO ENSURE THE PROPER LOCKING FUNCTION OF THE RECEPTACLE.

- MATL: 1/2H BRASS OR NICKEL PL STEEL.
 - NO BURRS PERMISSIBLE AT HOLE.
 - MUST BE FLAT WITHIN 0.076 [.003] OVER THIS LENGTH.
 - TIN PLATING IS REQUIRED ON BRASS WHEN TERMINAL TEMP. IS OVER 225°F
 - HOLE MUST BE SYMMETRICAL ABOUT TAB Q WITHIN 0.076 [.003]
- * TO BE USED ONLY WHEN SHOULDER IS ELIMINATED.

SECTION B-B

SECTION C-C

VIEW A-A

| FINISH | INSULATION RANGE | WIRE SIZE | PART NO. |
|------------|---------------------------|---------------|-----------|
| UNPLATED | 1.52-2.54 [.060-.100] DIA | [#22-#18] AWG | 2238156-2 |
| TIN PLATED | 1.52-2.54 [.060-.100] DIA | [#22-#18] AWG | 2238156-1 |

| | | | | |
|--|--|---------------------------------|--|--|
| THIS DRAWING IS A CONTROLLED DOCUMENT. | | DWN 07OCT2016 NAGALAKSHMI K | TE TE Connectivity | |
| DIMENSIONS: mm [INCHES] | | CHK 07OCT2016 SMITH, RODNEY | | |
| TOLERANCES UNLESS OTHERWISE SPECIFIED: | | APVD 07OCT2016 SMITH, RODNEY | NAME RECEPTACLE, POSITIVE LOCK, .250 SERIES | |
| 0 PLC ± - | | PRODUCT SPEC | SIZE CAGE CODE DRAWING NO RESTRICTED TO | |
| 1 PLC ± - | | APPLICATION SPEC | A2 00779 C=2238156 | |
| 2 PLC ± 0.25 [.010] | | 114-2074 | SCALE SHEET 1 OF 1 REV A2 | |
| 3 PLC ± - | | WEIGHT 0 | | |
| 4 PLC ± - | | CUSTOMER DRAWING | | |
| 4 ANGLS ± - | | | | |
| FINISH SEE TABLE | | | | |

X-ON Electronics

Largest Supplier of Electrical and Electronic Components

Click to view similar products for [Terminals](#) category:

Click to view products by [TE Connectivity](#) manufacturer:

Other Similar products are found below :

[00-054007-01074-6](#) [00-054007-70206-1](#) [00-054007-70210-8](#) [00-054007-70217-7](#) [00-054007-70226-9](#) [00-054007-70228-3](#) [00-054007-70248-1](#) [00-054007-70256-6](#) [00-054007-70301-3](#) [00-054007-70316-7](#) [00-054007-49560-4](#) [00-054007-70209-2](#) [00-054007-70225-2](#) [00-054007-70227-6](#) [00-054007-70231-3](#) [00-054007-70241-2](#) [00-054007-70242-9](#) [00-054007-70244-3](#) [00-054007-70246-7](#) [00-054007-70263-4](#) [00-054007-70288-7](#) [00-054007-70290-0](#) [00-054007-70300-6](#) [00-054007-70304-4](#) [01-2065-1-0216](#) [01-2900-1-04412](#) [00581P0075](#) [600TS-10](#) [60205-1](#) [604200-1](#) [605601-1](#) [60598-1-CUT-TAPE](#) [61314-6-C](#) [61810-3](#) [61-S](#) [61-SN](#) [626-0194](#) [62-NBM-A](#) [62-SN](#) [62-SP](#) [63-S](#) [640179-1](#) [M55155/059I03](#) [M55155/079C01](#) [M55155/099H02](#) [M55155/109H01](#) [M55155/109H02](#) [M55155/12XH05](#) [M55155/16XH02](#) [M55155/29-5S](#)