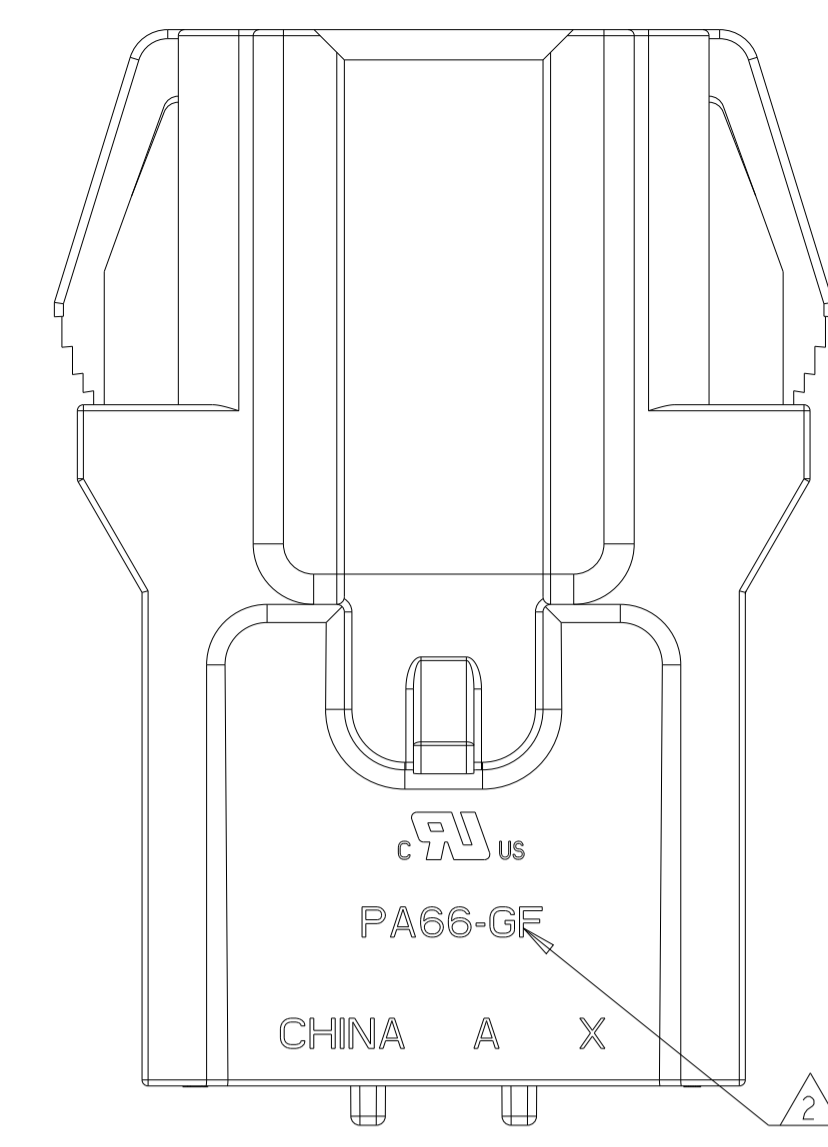
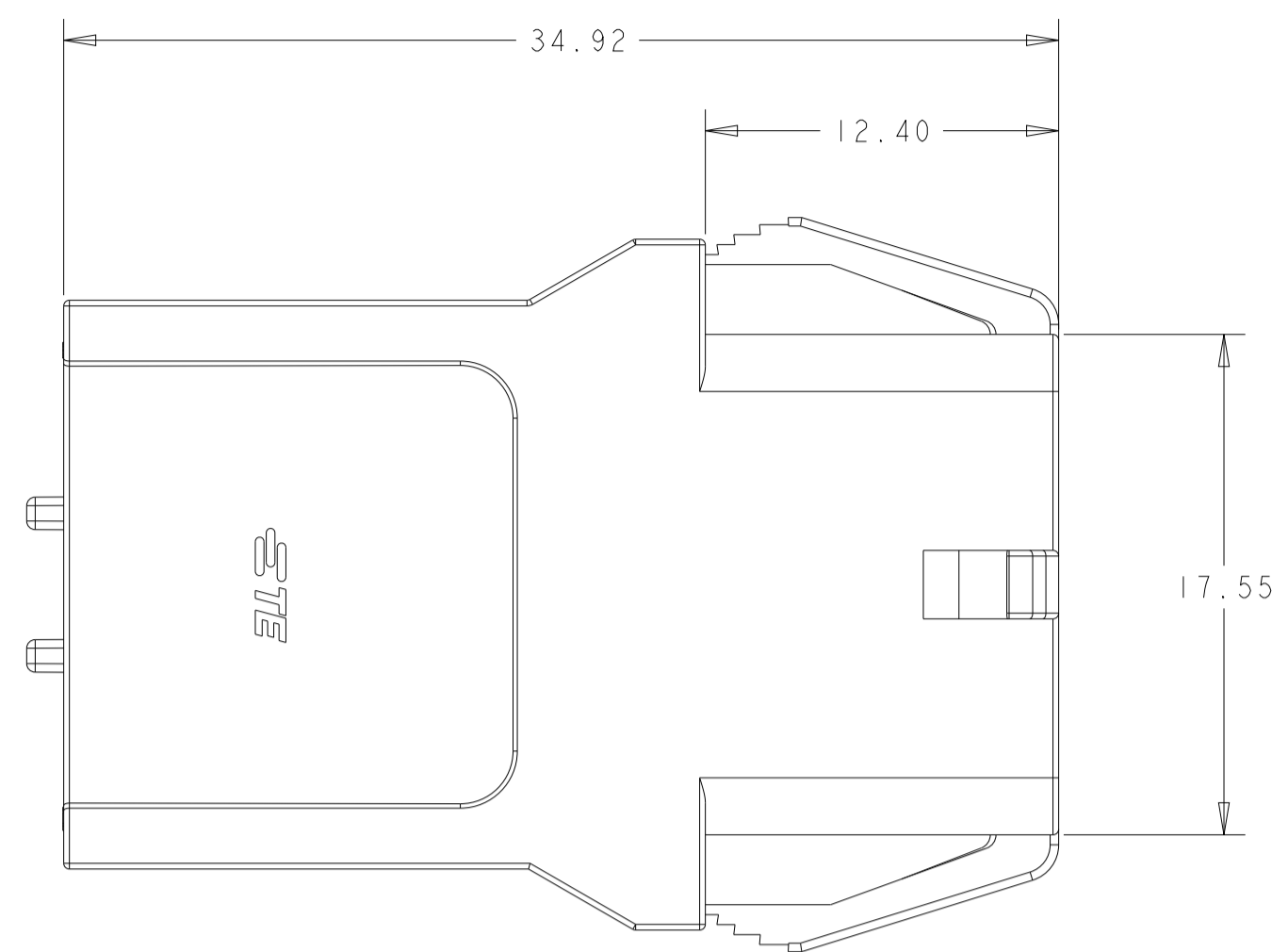


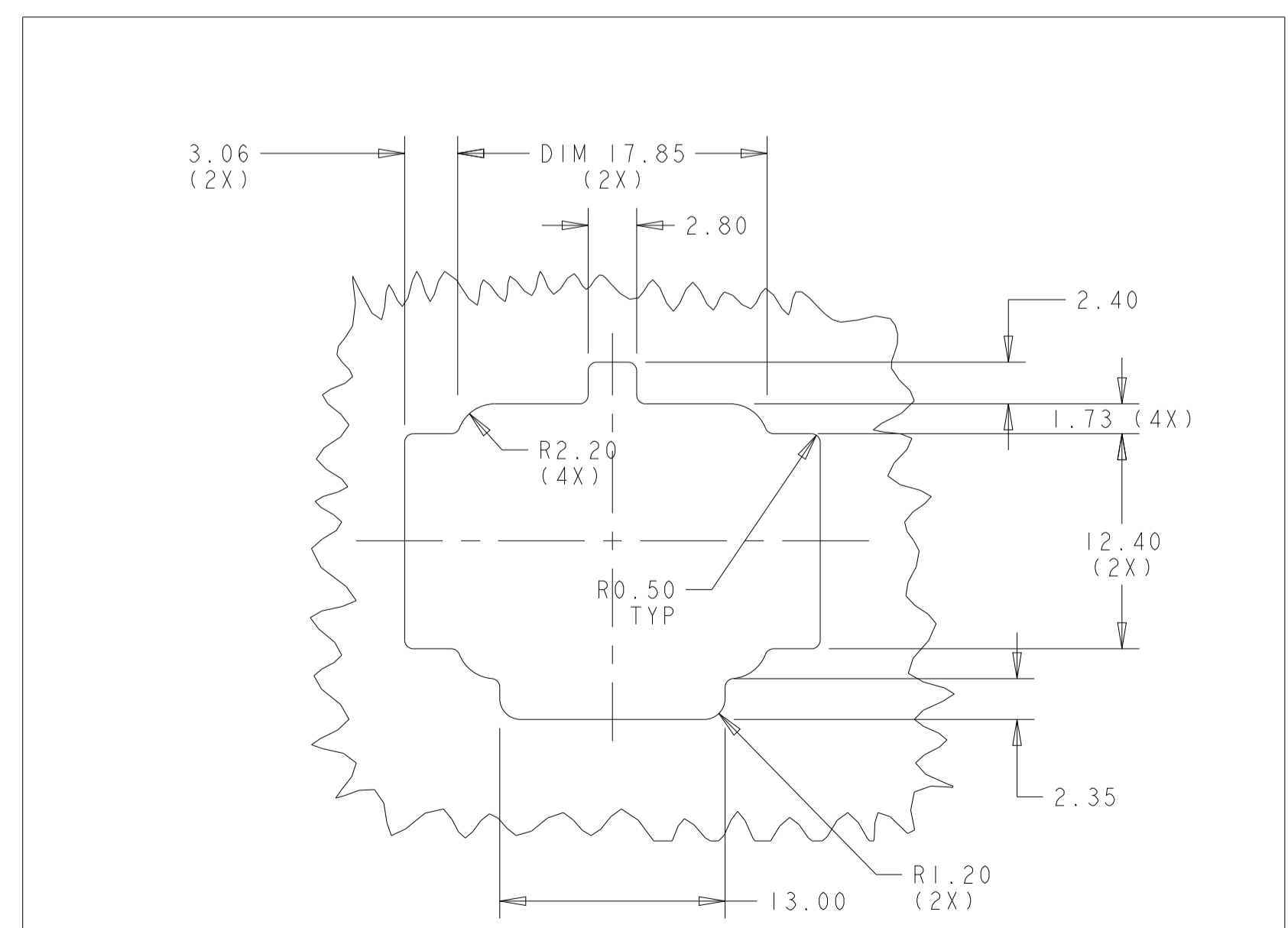
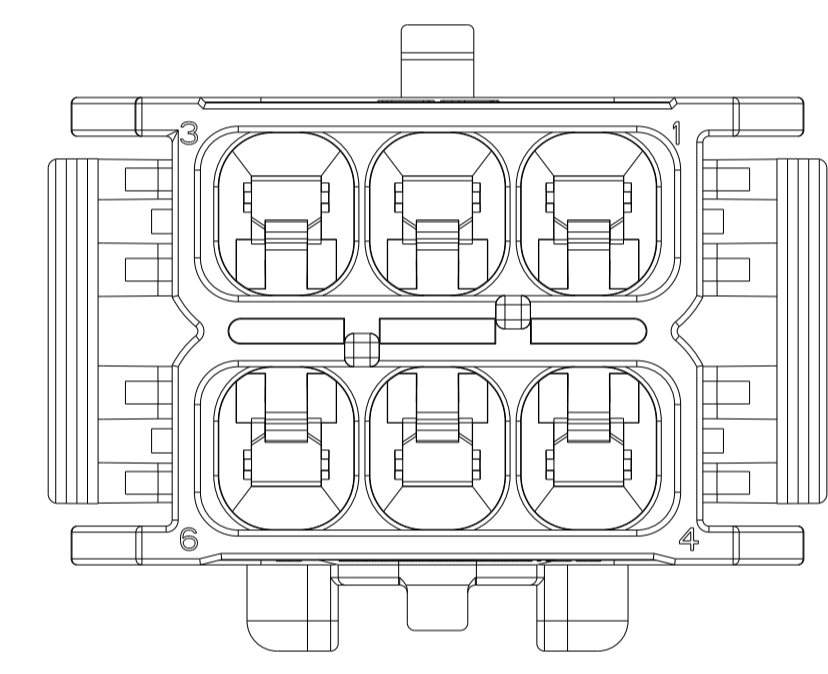
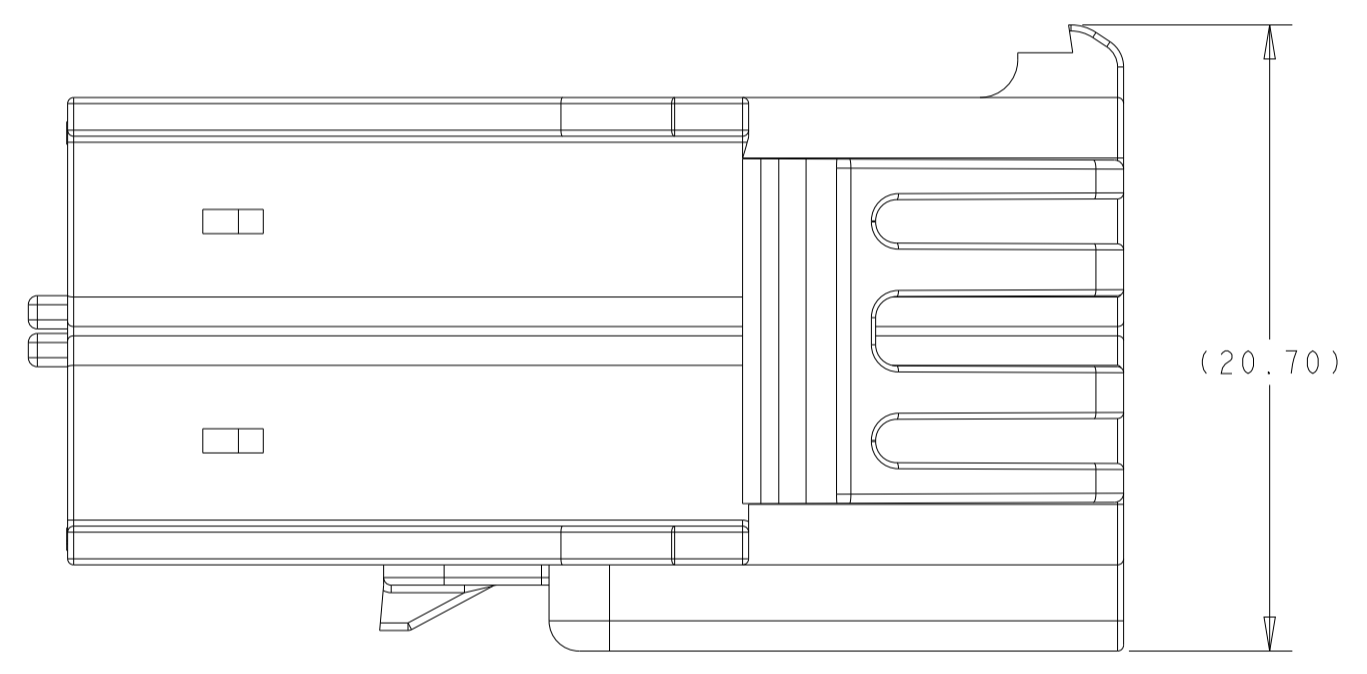
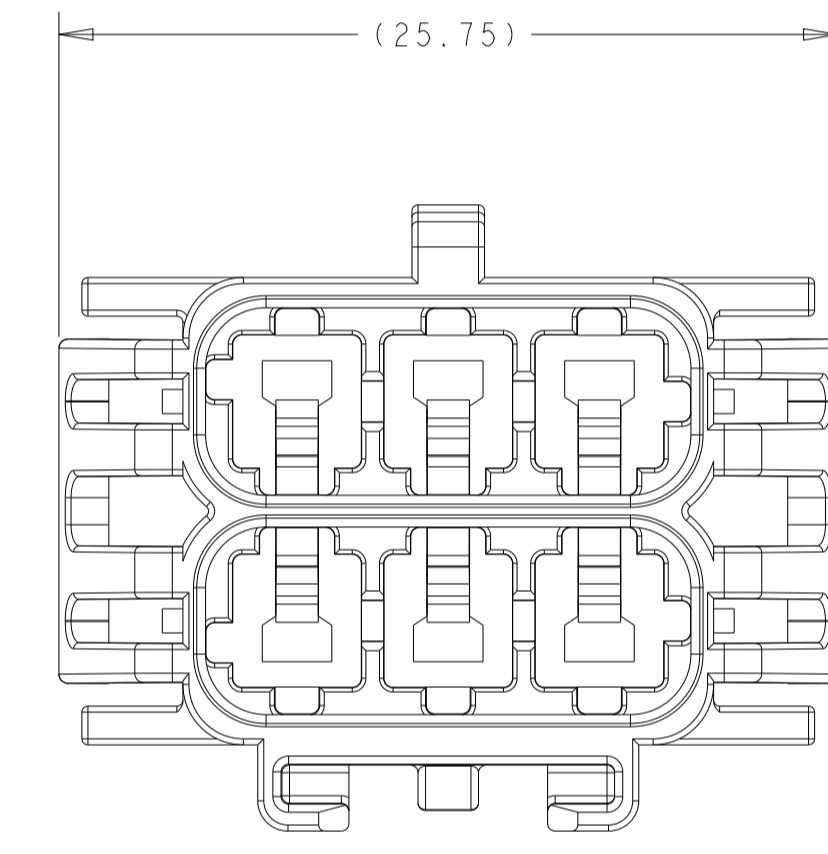
REVISIONS				
P	LTN	DESCRIPTION	DATE	DWN APVD
A		REVISED AS PER ECN-23-221174	14JUL2023	SKR DS

ITEM	MATING CONNECTOR PART NUMBERS
1	PLUG HOUSING X-2381595-6
2	TERMINAL POSITION ASSURANCE (TPA) 2337218-6
3	FAMILY/GANG SEAL 2325349-3 1-2325349-3
4	BACK COVER 2340648-6

ITEM	APPLICABLE TERMINAL PN
1	2329906-1
2	2329907-1
3	2329908-1
4	2329909-1
5	2329910-1
6	2329911-1



- △ MATERIAL: PA66 - GLASS FILLED
- △ MATERIAL MARK: PA66-GF
- △ RECOMMENDED PANEL THICKNESS: 0.80-2.00
- △ PANEL MUST BE PUNCHED SO THAT THE HOUSING ENTERS THE PANEL IN THE SAME DIRECTION AS THE PUNCH



KEY A	KEY B	KEY C
1-2381596-6	2-2381596-6	3-2381596-6

RECOMMENDED PANEL CUT-OUT
 (RECOMMENDED TOLERANCES FOR ALL DIMENSIONS ±0.15) △3 △4

COLOR	KEYING	POSITIONS	PART NUMBER
NATURAL	KEY C	2*3	3-2381596-6
YELLOW	KEY B	2*3	2-2381596-6
BLUE	KEY A	2*3	1-2381596-6

THIS DRAWING IS A CONTROLLED DOCUMENT.

DIMENSIONS:	TOLERANCES UNLESS OTHERWISE SPECIFIED:	DWN B. WEAVER 02APR2021	TE Connectivity NAME 2x3 POWER VERSA LOCK, CAP HOUSING STRAIGHT PANEL MOUNT PRODUCT SPEC 108-143081 APPLICATION SPEC 114-143082 WEIGHT - CUSTOMER DRAWING
mm	0 PLC ±0.35 1 PLC ±0.25 2 PLC ±0.25 3 PLC ±0.25 4 PLC ±0.25	CHK D. SWARTZ 02APR2021	
	ANGLES FINISH	APVD V. SHELTON 02APR2021	
MATERIAL		SIZE CAGE CODE DRAWING NO. RESTRICTED TO	

SCALE 4:1 SHEET 1 OF 1 REV A

X-ON Electronics

Largest Supplier of Electrical and Electronic Components

Click to view similar products for [Heavy Duty Power Connectors](#) category:

Click to view products by [TE Connectivity](#) manufacturer:

Other Similar products are found below :

[6646058-2](#) [6646137-1](#) [6646138-1](#) [6646940-1](#) [6651091-1](#) [6651525-1](#) [6651529-1](#) [696475-1](#) [702-32-01109](#) [73080255059](#) [73080965046](#)
[7310205040001](#) [765-16-0080B](#) [765-18-0080D](#) [902-77-02113](#) [PS00/A0620/6300](#) [AN0024023](#) [154-42B7WM250](#) [MS3117-14AC](#) [1643543-1](#)
[1766966-1](#) [1791340000](#) [NLDFT-3-BL-L-S120-M40A](#) [NLDFT-N-W-L-C240-M40B](#) [1926015-1](#) [NLS-3-BL-C240-M40B](#) [NLS-N-W-C240-](#)
[M40B](#) [NPS-3-BL-T6](#) [2-1589900-8](#) [9300480317](#) [294-0091-01100](#) [296-0040-01100](#) [1-6609148-0](#) [A32595-0049](#) [1766249-1](#) [19000005132](#)
[1926016-1](#) [1-966831-8](#) [AN0024202](#) [AN0264023](#) [279-0841-10100A](#) [281-0334-00100A](#) [RMSB4](#) [419-2083-301](#) [LCDX4/0-14B-X](#) [075-8519-](#)
[001](#) [078238-1613](#) [07.470.3256.0](#) [09000005288](#) [09140240311](#)