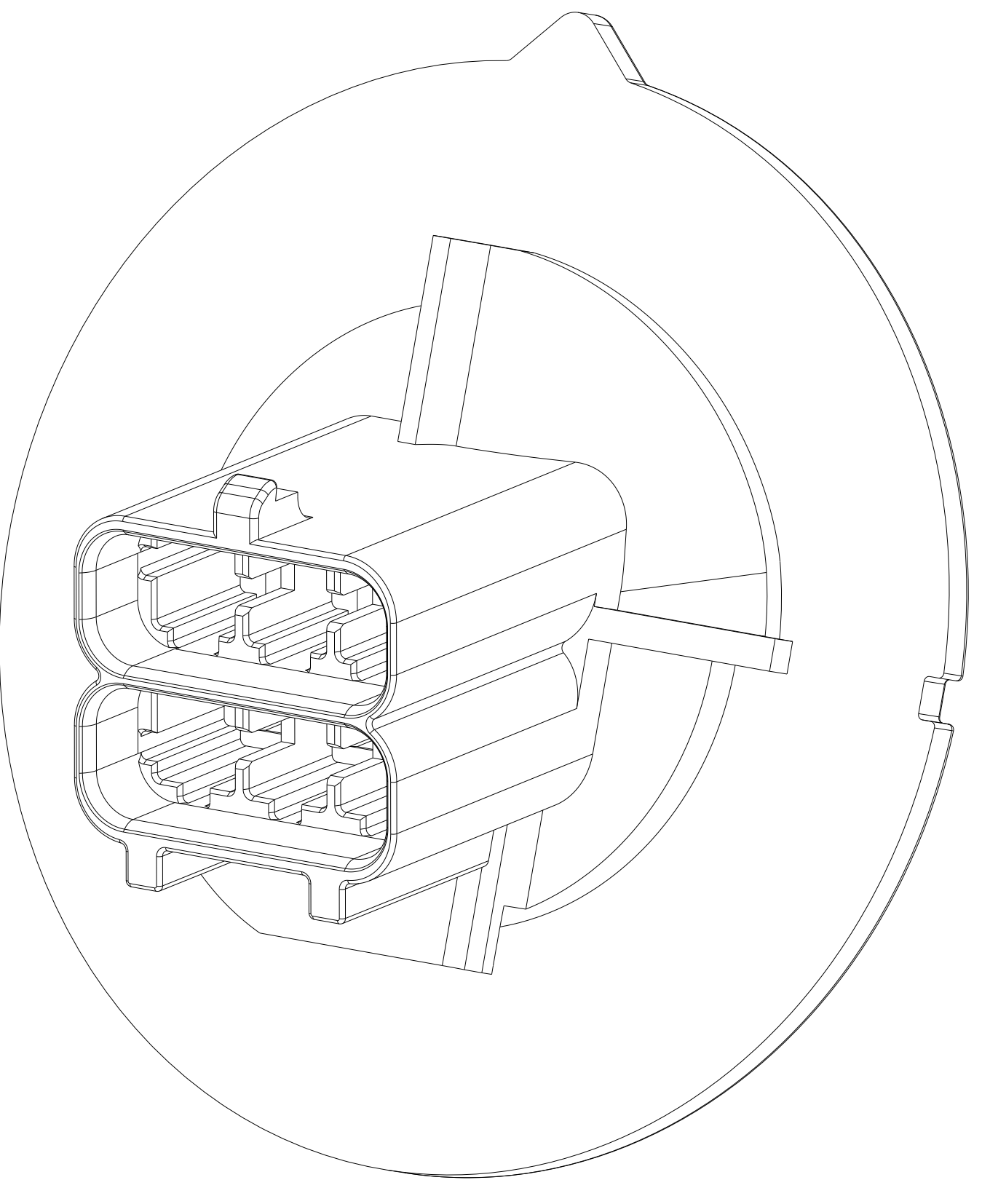


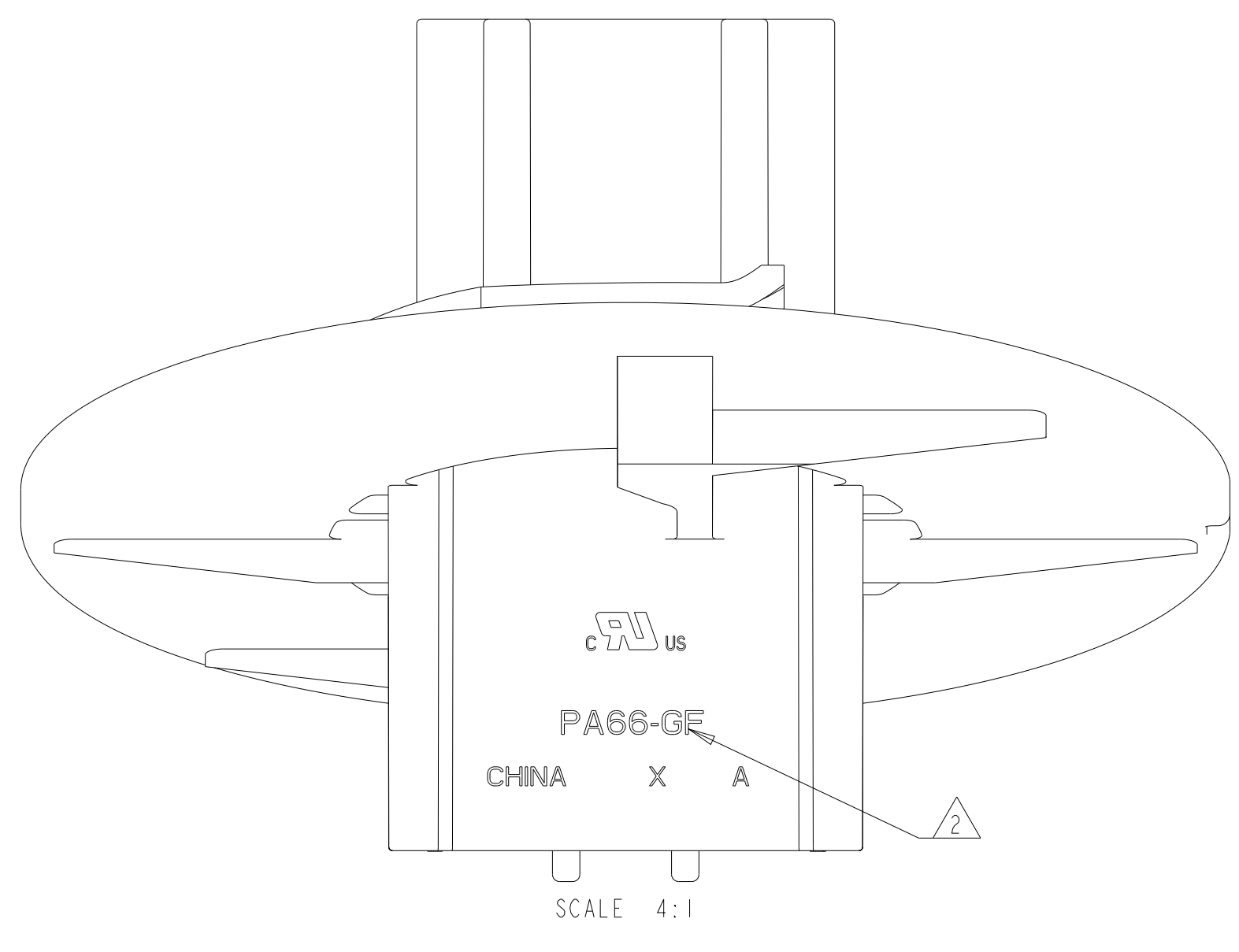
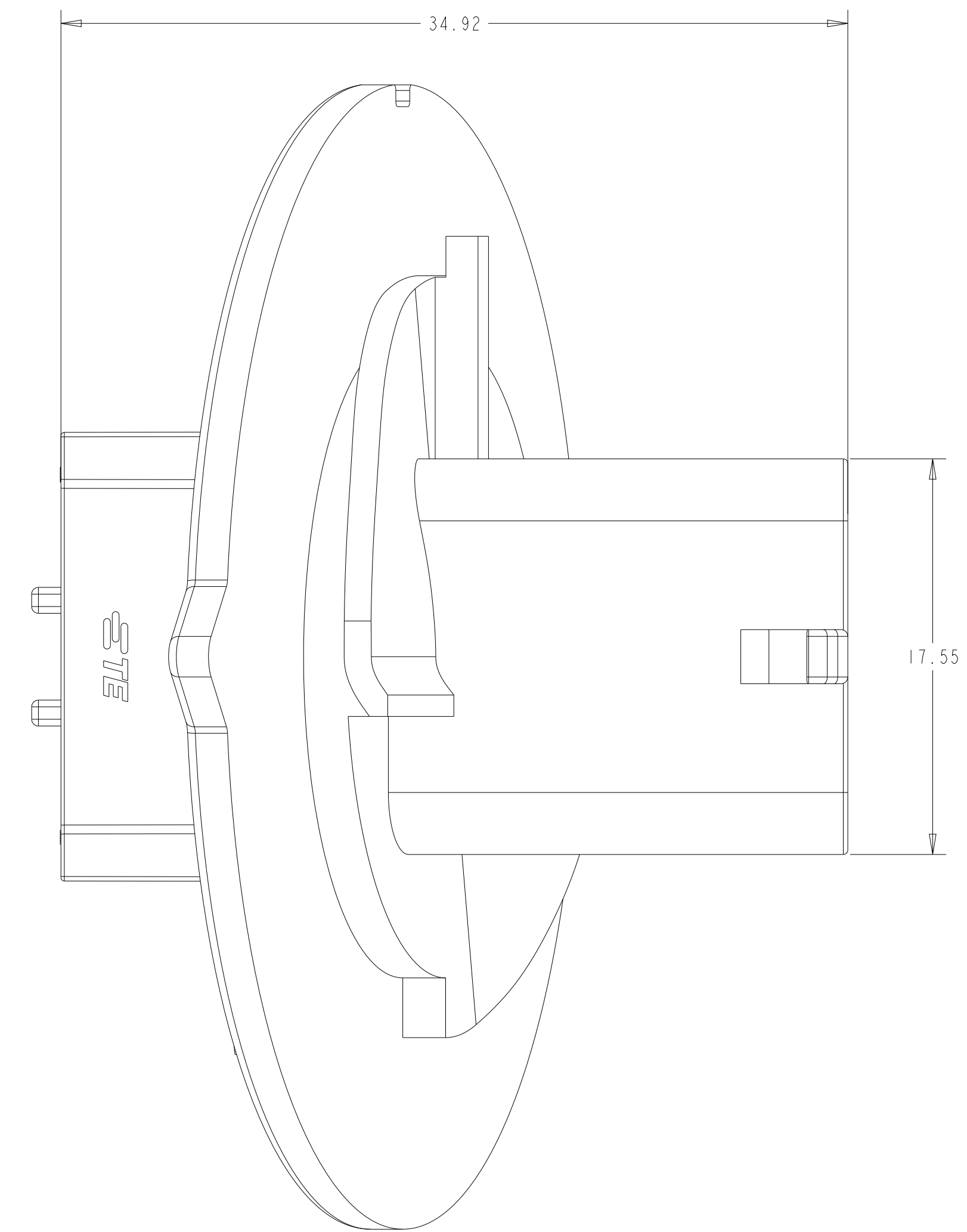
REVISIONS				
REV	DATE	BY	CHK	APPD
A	11APR2023	MV	DS	

MATING CONNECTOR PART NUMBERS			
ITEM	DESCRIPTION	DATE	APPD
1	PLUG HOUSING	X-2381595-6	
2	TERMINAL POSITION ASSURANCE (TPA)	2337218-6	
3	FAMILY/GANG SEAL	2325349-3	
4	BACK COVER	2340648-6	

ITEM	APPLICABLE TERMINAL PN
1	2329906-1
2	2329907-1
3	2329908-1
4	2329909-1
5	2329910-1
6	2329911-1

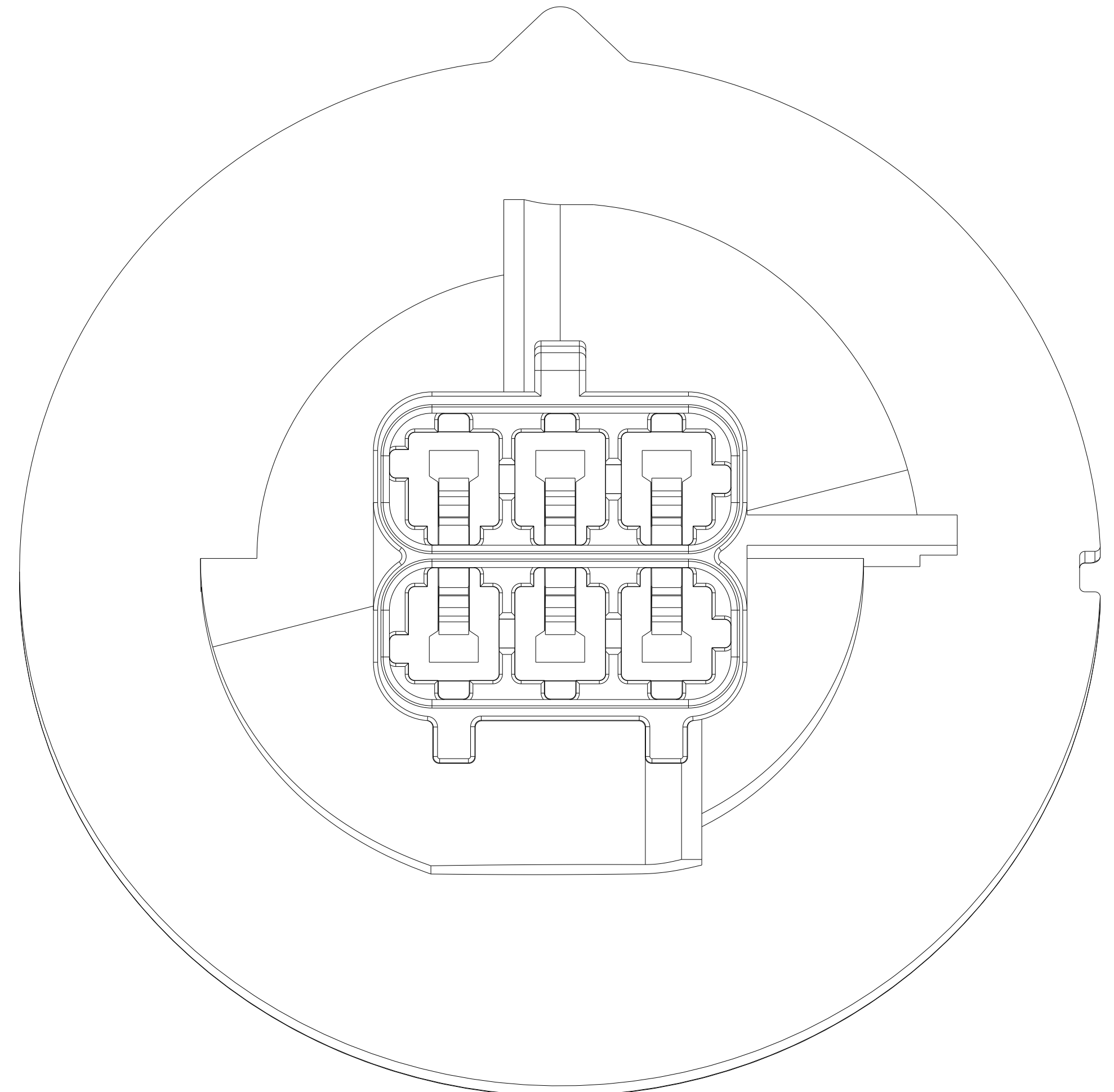
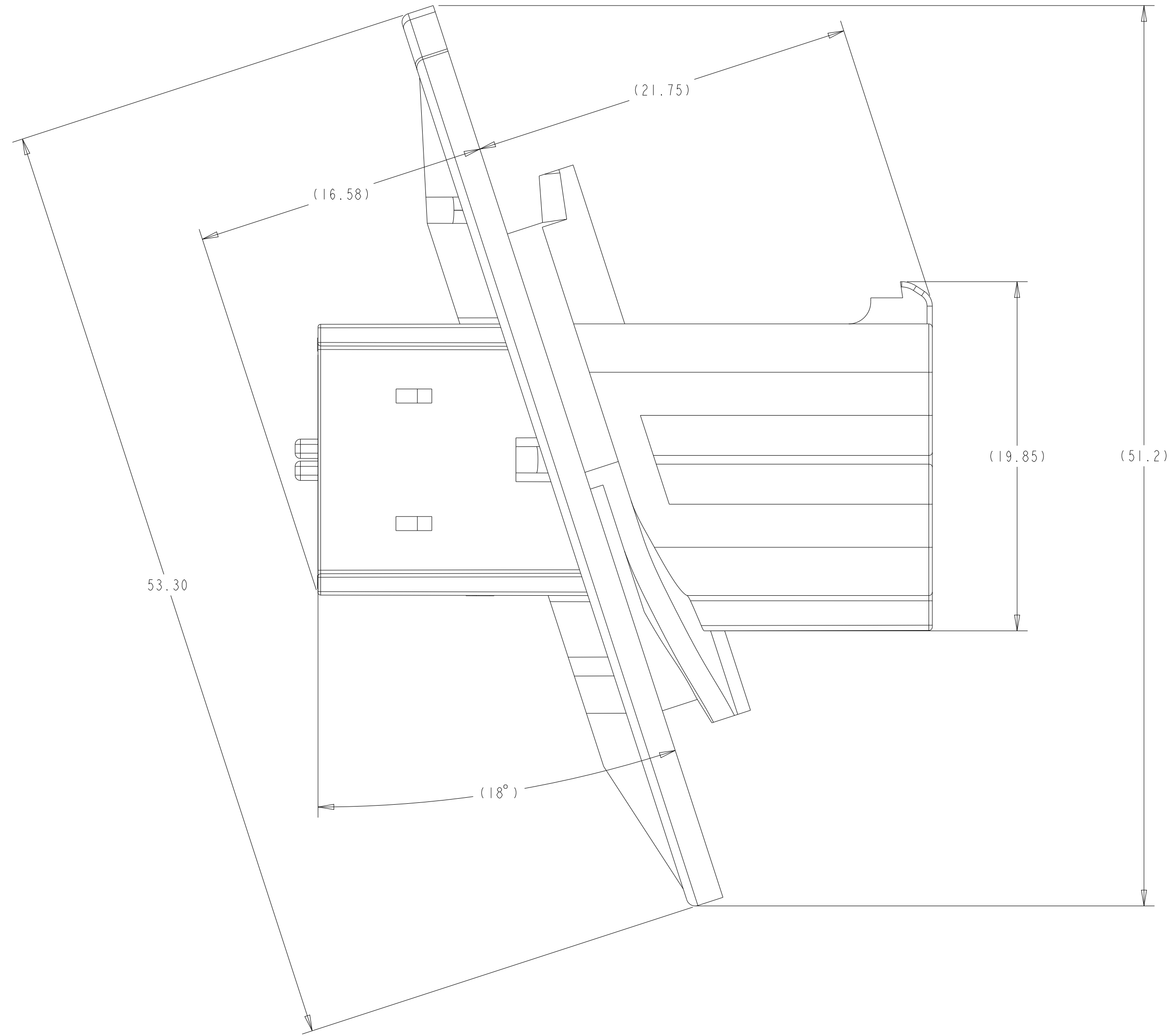
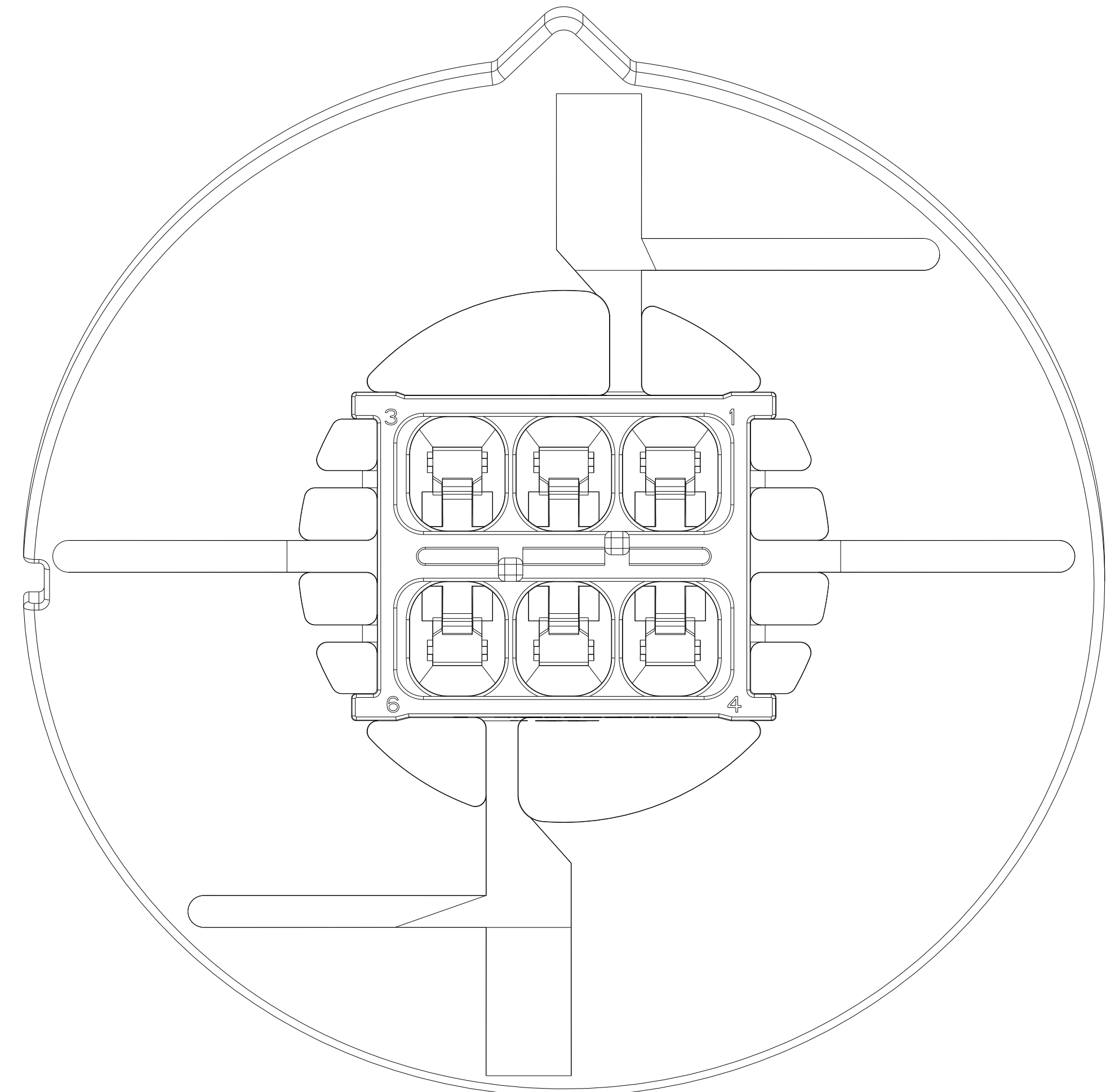


SCALE 4:1



SCALE 4:1

- ⚠ MATERIAL: PA66 - GLASS FILLED
- ⚠ MATERIAL MARK: PA66-GF
- ⚠ RECOMMENDED PANEL THICKNESS: 0.76-2.29
- ⚠ PANEL MUST BE PUNCHED SO THAT THE HOUSING ENTERS THE PANEL IN THE SAME DIRECTION AS THE PUNCH
- ⚠ ROTATE CONNECTOR IN CLOCK WISE DIRECTION MUST NOT OVER TWIST/ROTATE
- ⚠ THIS PRODUCT HAS NOT COMPLETED QUALIFICATION TESTING



KEY A	KEY B	KEY C
1-2381608-6	2-2381608-6	3-2381608-6

NATURAL	C	2 * 3	3-2381608-6
YELLOW	B	2 * 3	2-2381608-6
BLUE	A	2 * 3	1-2381608-6
COLOR	KEY	POSITION	PART NO

THIS DRAWING IS A CONTROLLED DOCUMENT.

DATE: 11APR2023
 DESIGNED BY: D. WEAVER
 CHECKED BY: D. SWARTZ
 APPROVED BY: V. SHERIDAN

PRODUCT SPEC: 108-143081
 APPLICATION SPEC: 114-143082

MATERIAL: PA66
 FINISH: NA

SIZE: A0
 CASE CODE: 00779
 DRAWING NO: 2381608

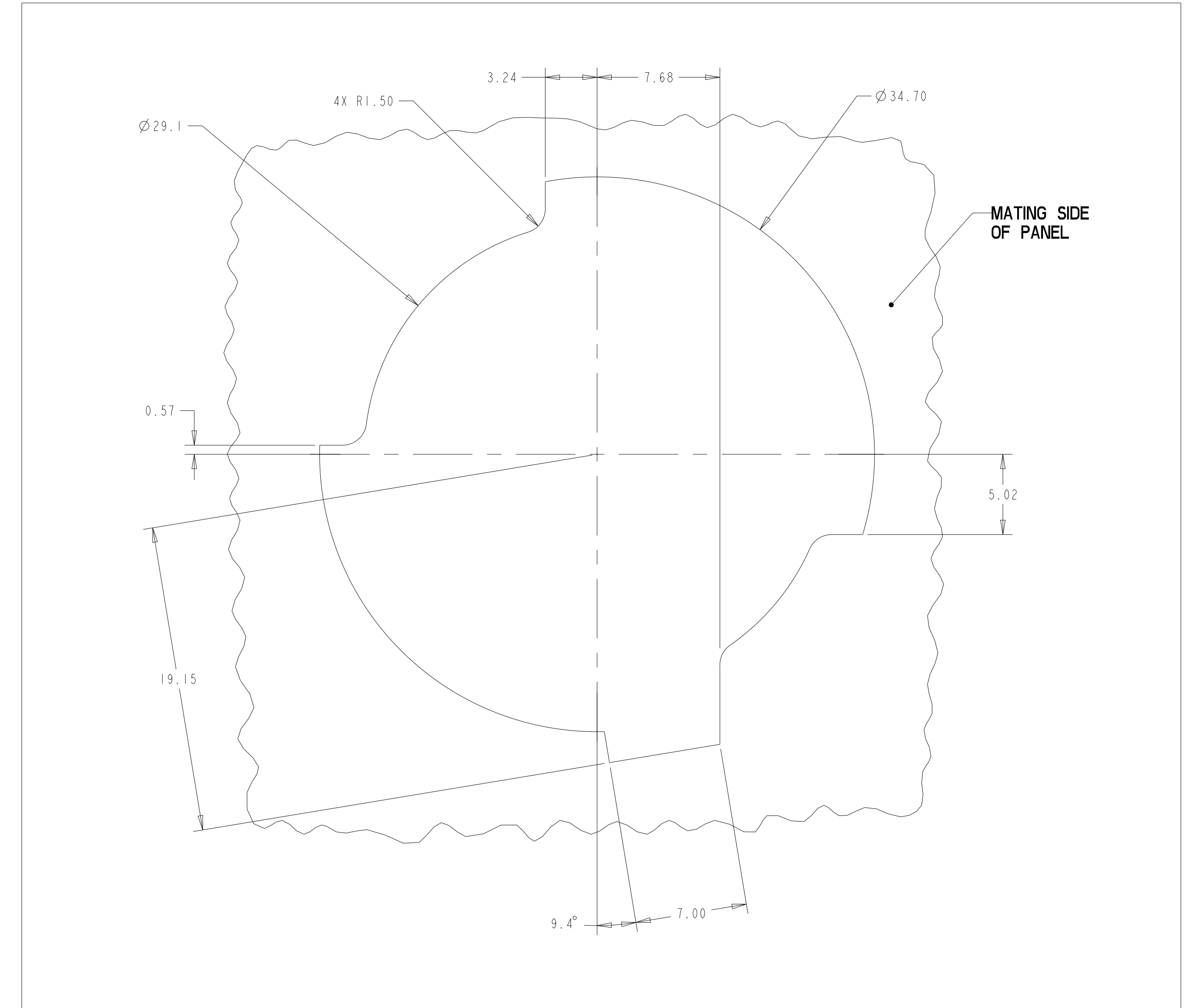
CUSTOMER DRAWING

SCALE: 5:1
 SHEET: 1 of 2
 REV: A

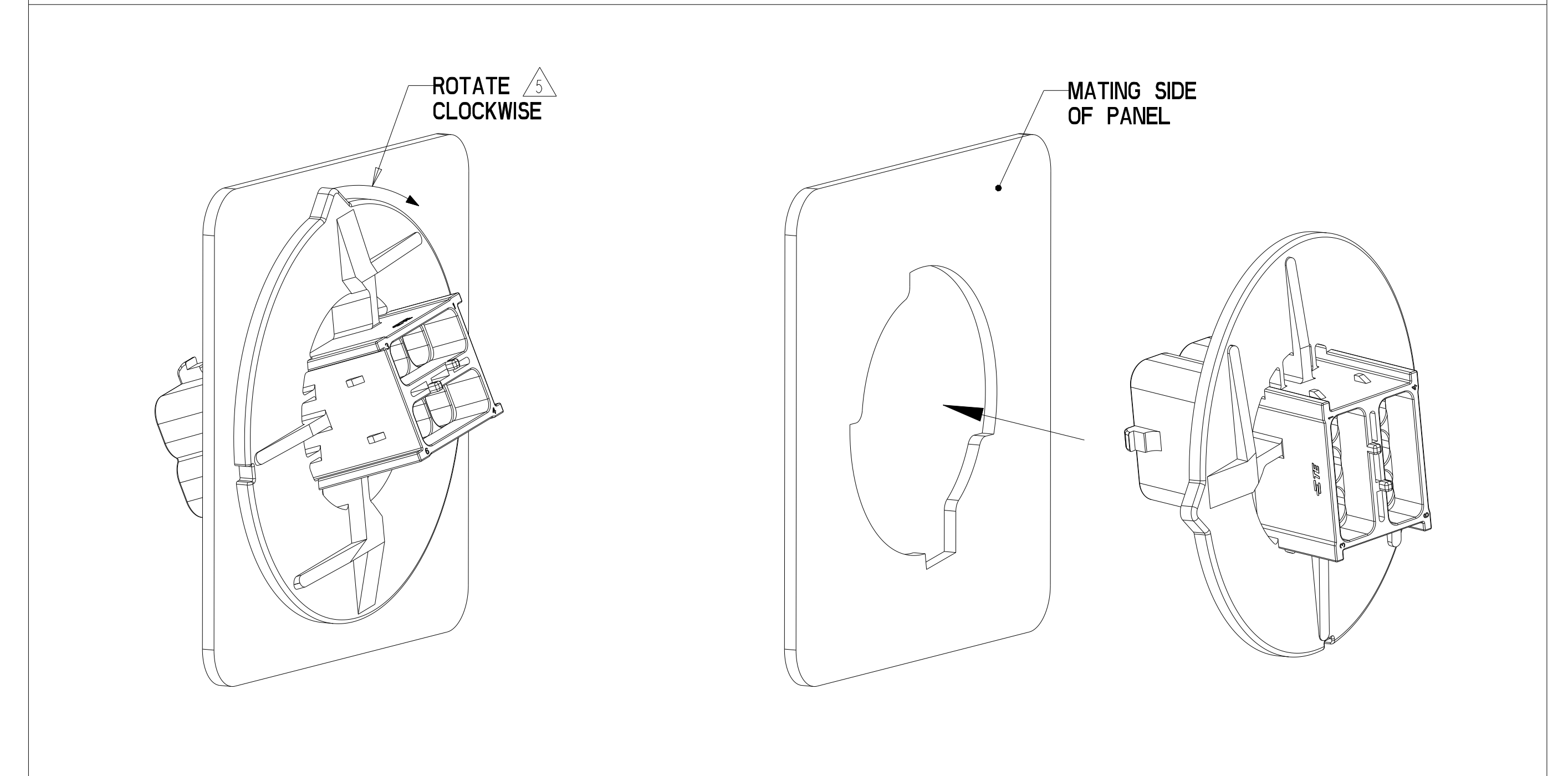
REVISIONS			
P	BY	DESCRIPTION	DATE
-	-	SEE SHEET 1	-

RECOMMENDED PANEL CUT-OUT AND ANGLE (SCALE 2:1)

<p>MATING SIDE OF PANEL</p>	<p>MATING SIDE OF PANEL</p>	<p>MATING SIDE OF PANEL</p>
<p>RECOMMENDED ANGLE FOR 0.76mm PANEL THICKNESS</p>	<p>RECOMMENDED ANGLE FOR 0.86mm PANEL THICKNESS</p>	<p>RECOMMENDED ANGLE FOR 102mm PANEL THICKNESS</p>
<p>MATING SIDE OF PANEL</p>	<p>MATING SIDE OF PANEL</p>	<p>MATING SIDE OF PANEL</p>
<p>RECOMMENDED ANGLE FOR 127mm PANEL THICKNESS</p>	<p>RECOMMENDED ANGLE FOR 147mm PANEL THICKNESS</p>	<p>RECOMMENDED ANGLE FOR 185mm PANEL THICKNESS</p>
<p>MATING SIDE OF PANEL</p>	<p>MATING SIDE OF PANEL</p>	
<p>RECOMMENDED ANGLE FOR 203mm PANEL THICKNESS</p>	<p>RECOMMENDED ANGLE FOR 229mm PANEL THICKNESS</p>	



RECOMMENDED PANEL CUT-OUT
(RECOMMENDED CUTOUT DIMENSION TOLERANCES ±0.15)
0.76mm PANEL THICKNESS CUTOUT SHOWN ABOVE



ASSEMBLY PROCEDURE
(0.76mm THICKNESS PANEL CUTOUT SHOWN ABOVE)

THIS DRAWING IS A CONTROLLED DOCUMENT.		DATE: 04APR2021	BY: SE WEAVER	APPROVED: 04APR2021	NAME: 2x3 POWER VERSA LOCK, CAP HOUSING ANGLED TWIST N LOCK
DIMENSIONS:	UNITS: MILLIMETERS	CHK: D. SWARTZ	APPROVED: 04APR2021	APPROVED: 04APR2021	REV: A
QTY: 1	QTY: 1	QTY: 1	QTY: 1	QTY: 1	QTY: 1
0 P/LC	0 P/LC	0 P/LC	0 P/LC	0 P/LC	0 P/LC
1 P/LC	1 P/LC	1 P/LC	1 P/LC	1 P/LC	1 P/LC
2 P/LC	2 P/LC	2 P/LC	2 P/LC	2 P/LC	2 P/LC
3 P/LC	3 P/LC	3 P/LC	3 P/LC	3 P/LC	3 P/LC
4 P/LC	4 P/LC	4 P/LC	4 P/LC	4 P/LC	4 P/LC
5 P/LC	5 P/LC	5 P/LC	5 P/LC	5 P/LC	5 P/LC
6 P/LC	6 P/LC	6 P/LC	6 P/LC	6 P/LC	6 P/LC
7 P/LC	7 P/LC	7 P/LC	7 P/LC	7 P/LC	7 P/LC
8 P/LC	8 P/LC	8 P/LC	8 P/LC	8 P/LC	8 P/LC
9 P/LC	9 P/LC	9 P/LC	9 P/LC	9 P/LC	9 P/LC
10 P/LC	10 P/LC	10 P/LC	10 P/LC	10 P/LC	10 P/LC
11 P/LC	11 P/LC	11 P/LC	11 P/LC	11 P/LC	11 P/LC
12 P/LC	12 P/LC	12 P/LC	12 P/LC	12 P/LC	12 P/LC
13 P/LC	13 P/LC	13 P/LC	13 P/LC	13 P/LC	13 P/LC
14 P/LC	14 P/LC	14 P/LC	14 P/LC	14 P/LC	14 P/LC
15 P/LC	15 P/LC	15 P/LC	15 P/LC	15 P/LC	15 P/LC
16 P/LC	16 P/LC	16 P/LC	16 P/LC	16 P/LC	16 P/LC
17 P/LC	17 P/LC	17 P/LC	17 P/LC	17 P/LC	17 P/LC
18 P/LC	18 P/LC	18 P/LC	18 P/LC	18 P/LC	18 P/LC
19 P/LC	19 P/LC	19 P/LC	19 P/LC	19 P/LC	19 P/LC
20 P/LC	20 P/LC	20 P/LC	20 P/LC	20 P/LC	20 P/LC
21 P/LC	21 P/LC	21 P/LC	21 P/LC	21 P/LC	21 P/LC
22 P/LC	22 P/LC	22 P/LC	22 P/LC	22 P/LC	22 P/LC
23 P/LC	23 P/LC	23 P/LC	23 P/LC	23 P/LC	23 P/LC
24 P/LC	24 P/LC	24 P/LC	24 P/LC	24 P/LC	24 P/LC
25 P/LC	25 P/LC	25 P/LC	25 P/LC	25 P/LC	25 P/LC
26 P/LC	26 P/LC	26 P/LC	26 P/LC	26 P/LC	26 P/LC
27 P/LC	27 P/LC	27 P/LC	27 P/LC	27 P/LC	27 P/LC
28 P/LC	28 P/LC	28 P/LC	28 P/LC	28 P/LC	28 P/LC
29 P/LC	29 P/LC	29 P/LC	29 P/LC	29 P/LC	29 P/LC
30 P/LC	30 P/LC	30 P/LC	30 P/LC	30 P/LC	30 P/LC
31 P/LC	31 P/LC	31 P/LC	31 P/LC	31 P/LC	31 P/LC
32 P/LC	32 P/LC	32 P/LC	32 P/LC	32 P/LC	32 P/LC
33 P/LC	33 P/LC	33 P/LC	33 P/LC	33 P/LC	33 P/LC
34 P/LC	34 P/LC	34 P/LC	34 P/LC	34 P/LC	34 P/LC
35 P/LC	35 P/LC	35 P/LC	35 P/LC	35 P/LC	35 P/LC
36 P/LC	36 P/LC	36 P/LC	36 P/LC	36 P/LC	36 P/LC
37 P/LC	37 P/LC	37 P/LC	37 P/LC	37 P/LC	37 P/LC
38 P/LC	38 P/LC	38 P/LC	38 P/LC	38 P/LC	38 P/LC
39 P/LC	39 P/LC	39 P/LC	39 P/LC	39 P/LC	39 P/LC
40 P/LC	40 P/LC	40 P/LC	40 P/LC	40 P/LC	40 P/LC
41 P/LC	41 P/LC	41 P/LC	41 P/LC	41 P/LC	41 P/LC
42 P/LC	42 P/LC	42 P/LC	42 P/LC	42 P/LC	42 P/LC
43 P/LC	43 P/LC	43 P/LC	43 P/LC	43 P/LC	43 P/LC
44 P/LC	44 P/LC	44 P/LC	44 P/LC	44 P/LC	44 P/LC
45 P/LC	45 P/LC	45 P/LC	45 P/LC	45 P/LC	45 P/LC
46 P/LC	46 P/LC	46 P/LC	46 P/LC	46 P/LC	46 P/LC
47 P/LC	47 P/LC	47 P/LC	47 P/LC	47 P/LC	47 P/LC
48 P/LC	48 P/LC	48 P/LC	48 P/LC	48 P/LC	48 P/LC
49 P/LC	49 P/LC	49 P/LC	49 P/LC	49 P/LC	49 P/LC
50 P/LC	50 P/LC	50 P/LC	50 P/LC	50 P/LC	50 P/LC
51 P/LC	51 P/LC	51 P/LC	51 P/LC	51 P/LC	51 P/LC
52 P/LC	52 P/LC	52 P/LC	52 P/LC	52 P/LC	52 P/LC
53 P/LC	53 P/LC	53 P/LC	53 P/LC	53 P/LC	53 P/LC
54 P/LC	54 P/LC	54 P/LC	54 P/LC	54 P/LC	54 P/LC
55 P/LC	55 P/LC	55 P/LC	55 P/LC	55 P/LC	55 P/LC
56 P/LC	56 P/LC	56 P/LC	56 P/LC	56 P/LC	56 P/LC
57 P/LC	57 P/LC	57 P/LC	57 P/LC	57 P/LC	57 P/LC
58 P/LC	58 P/LC	58 P/LC	58 P/LC	58 P/LC	58 P/LC
59 P/LC	59 P/LC	59 P/LC	59 P/LC	59 P/LC	59 P/LC
60 P/LC	60 P/LC	60 P/LC	60 P/LC	60 P/LC	60 P/LC
61 P/LC	61 P/LC	61 P/LC	61 P/LC	61 P/LC	61 P/LC
62 P/LC	62 P/LC	62 P/LC	62 P/LC	62 P/LC	62 P/LC
63 P/LC	63 P/LC	63 P/LC	63 P/LC	63 P/LC	63 P/LC
64 P/LC	64 P/LC	64 P/LC	64 P/LC	64 P/LC	64 P/LC
65 P/LC	65 P/LC	65 P/LC	65 P/LC	65 P/LC	65 P/LC
66 P/LC	66 P/LC	66 P/LC	66 P/LC	66 P/LC	66 P/LC
67 P/LC	67 P/LC	67 P/LC	67 P/LC	67 P/LC	67 P/LC
68 P/LC	68 P/LC	68 P/LC	68 P/LC	68 P/LC	68 P/LC
69 P/LC	69 P/LC	69 P/LC	69 P/LC	69 P/LC	69 P/LC
70 P/LC	70 P/LC	70 P/LC	70 P/LC	70 P/LC	70 P/LC
71 P/LC	71 P/LC	71 P/LC	71 P/LC	71 P/LC	71 P/LC
72 P/LC	72 P/LC	72 P/LC	72 P/LC	72 P/LC	72 P/LC
73 P/LC	73 P/LC	73 P/LC	73 P/LC	73 P/LC	73 P/LC
74 P/LC	74 P/LC	74 P/LC	74 P/LC	74 P/LC	74 P/LC
75 P/LC	75 P/LC	75 P/LC	75 P/LC	75 P/LC	75 P/LC
76 P/LC	76 P/LC	76 P/LC	76 P/LC	76 P/LC	76 P/LC
77 P/LC	77 P/LC	77 P/LC	77 P/LC	77 P/LC	77 P/LC
78 P/LC	78 P/LC	78 P/LC	78 P/LC	78 P/LC	78 P/LC
79 P/LC	79 P/LC	79 P/LC	79 P/LC	79 P/LC	79 P/LC
80 P/LC	80 P/LC	80 P/LC	80 P/LC	80 P/LC	80 P/LC
81 P/LC	81 P/LC	81 P/LC	81 P/LC	81 P/LC	81 P/LC
82 P/LC	82 P/LC	82 P/LC	82 P/LC	82 P/LC	82 P/LC
83 P/LC	83 P/LC	83 P/LC	83 P/LC	83 P/LC	83 P/LC
84 P/LC	84 P/LC	84 P/LC	84 P/LC	84 P/LC	84 P/LC
85 P/LC	85 P/LC	85 P/LC	85 P/LC	85 P/LC	85 P/LC
86 P/LC	86 P/LC	86 P/LC	86 P/LC	86 P/LC	86 P/LC
87 P/LC	87 P/LC	87 P/LC	87 P/LC	87 P/LC	87 P/LC
88 P/LC	88 P/LC	88 P/LC	88 P/LC	88 P/LC	88 P/LC
89 P/LC	89 P/LC	89 P/LC	89 P/LC	89 P/LC	89 P/LC
90 P/LC	90 P/LC	90 P/LC	90 P/LC	90 P/LC	90 P/LC
91 P/LC	91 P/LC	91 P/LC	91 P/LC	91 P/LC	91 P/LC
92 P/LC	92 P/LC	92 P/LC	92 P/LC	92 P/LC	92 P/LC
93 P/LC	93 P/LC	93 P/LC	93 P/LC	93 P/LC	93 P/LC
94 P/LC	94 P/LC	94 P/LC	94 P/LC	94 P/LC	94 P/LC
95 P/LC	95 P/LC	95 P/LC	95 P/LC	95 P/LC	95 P/LC
96 P/LC	96 P/LC	96 P/LC	96 P/LC	96 P/LC	96 P/LC
97 P/LC	97 P/LC	97 P/LC	97 P/LC	97 P/LC	97 P/LC
98 P/LC	98 P/LC	98 P/LC	98 P/LC	98 P/LC	98 P/LC
99 P/LC	99 P/LC	99 P/LC	99 P/LC	99 P/LC	99 P/LC
100 P/LC	100 P/LC	100 P/LC	100 P/LC	100 P/LC	100 P/LC

X-ON Electronics

Largest Supplier of Electrical and Electronic Components

Click to view similar products for [Heavy Duty Power Connectors](#) category:

Click to view products by [TE Connectivity](#) manufacturer:

Other Similar products are found below :

[6646058-2](#) [6646137-1](#) [6646138-1](#) [6646940-1](#) [6651091-1](#) [6651525-1](#) [6651529-1](#) [696475-1](#) [702-32-01109](#) [73080255059](#) [73080965046](#)
[7310205040001](#) [765-16-0080B](#) [765-18-0080D](#) [902-77-02113](#) [PS00/A0620/6300](#) [AN0024023](#) [154-42B7WM250](#) [MS3117-14AC](#) [1643543-1](#)
[1766966-1](#) [1791340000](#) [NLDFT-3-BL-L-S120-M40A](#) [NLDFT-N-W-L-C240-M40B](#) [1926015-1](#) [NLS-3-BL-C240-M40B](#) [NLS-N-W-C240-](#)
[M40B](#) [NPS-3-BL-T6](#) [2-1589900-8](#) [9300480317](#) [294-0091-01100](#) [296-0040-01100](#) [1-6609148-0](#) [A32595-0049](#) [1766249-1](#) [19000005132](#)
[1926016-1](#) [1-966831-8](#) [AN0024202](#) [AN0264023](#) [279-0841-10100A](#) [281-0334-00100A](#) [RMSB4](#) [419-2083-301](#) [LCDX4/0-14B-X](#) [075-8519-](#)
[001](#) [078238-1613](#) [07.470.3256.0](#) [09000005288](#) [09140240311](#)