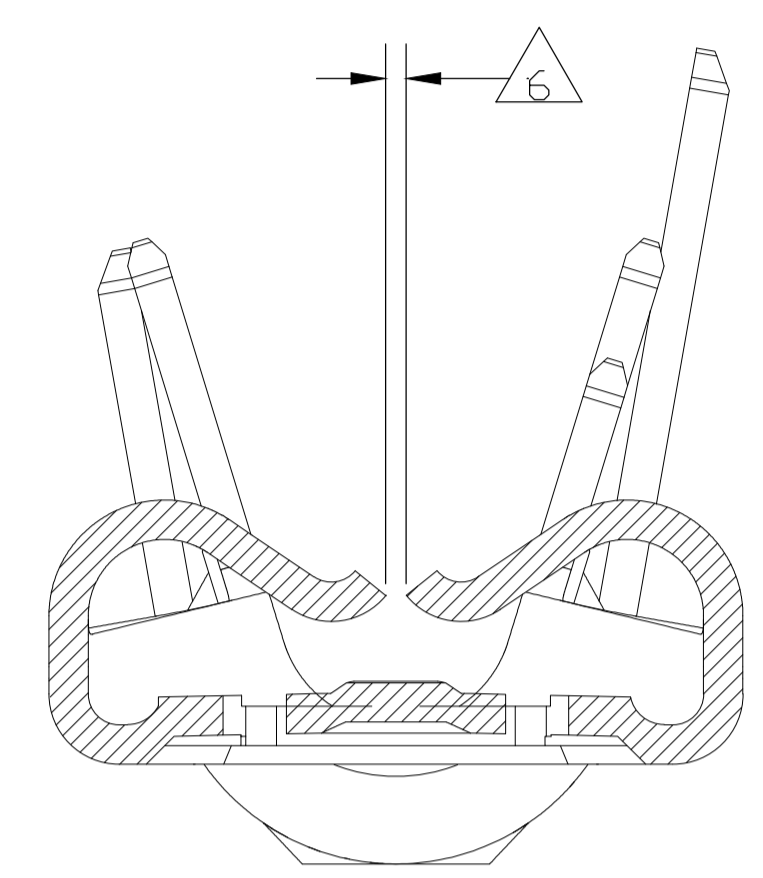
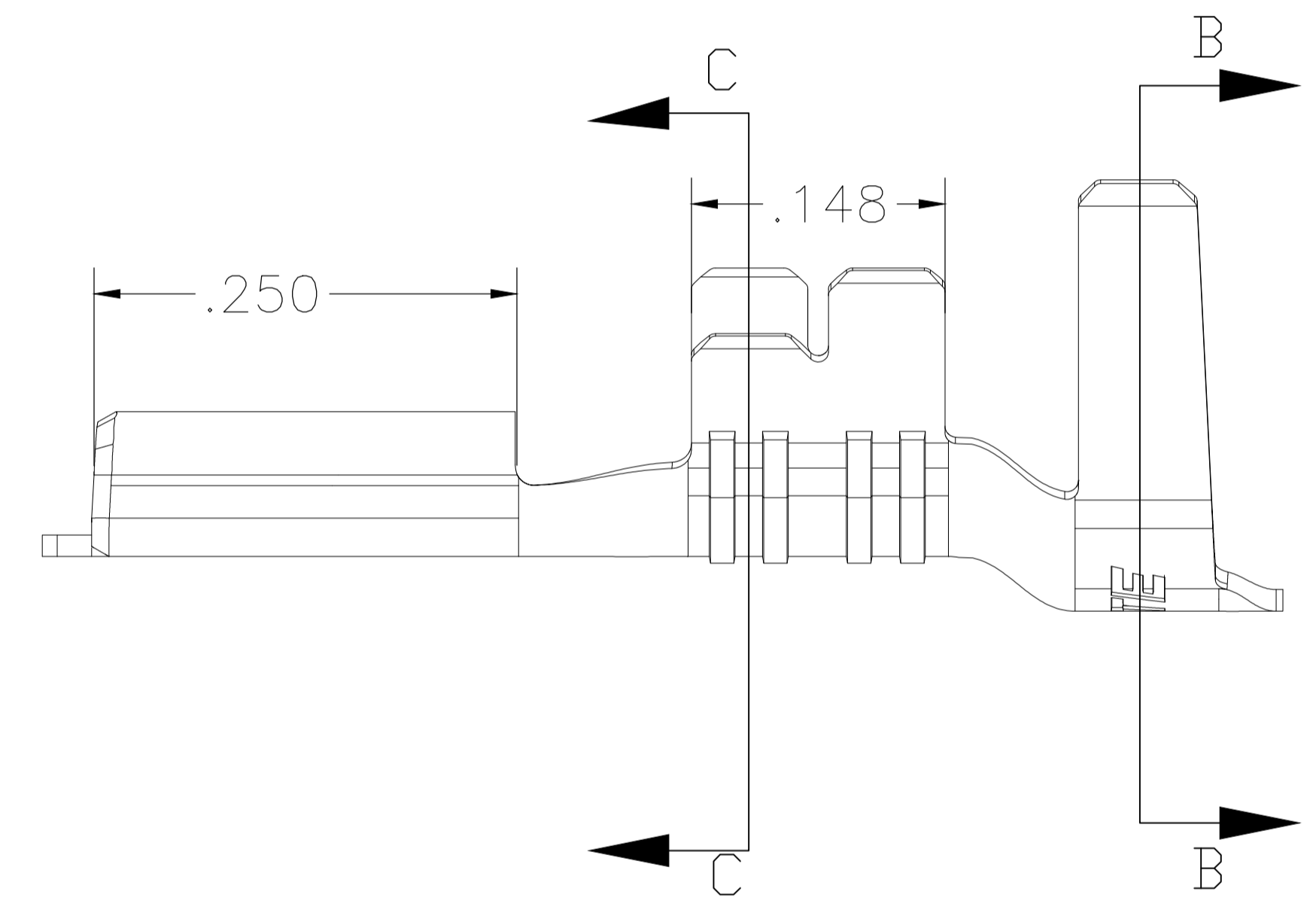
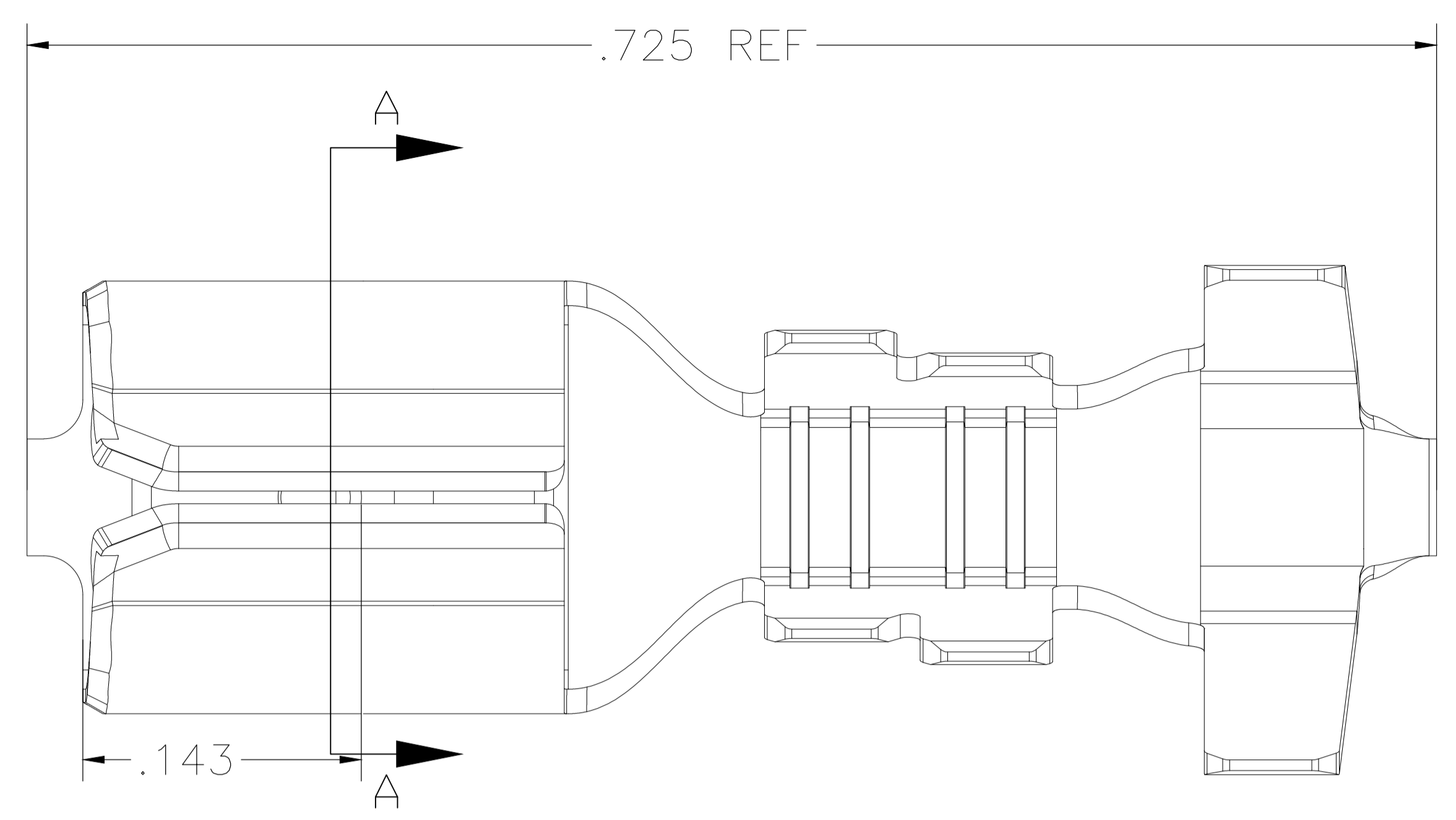


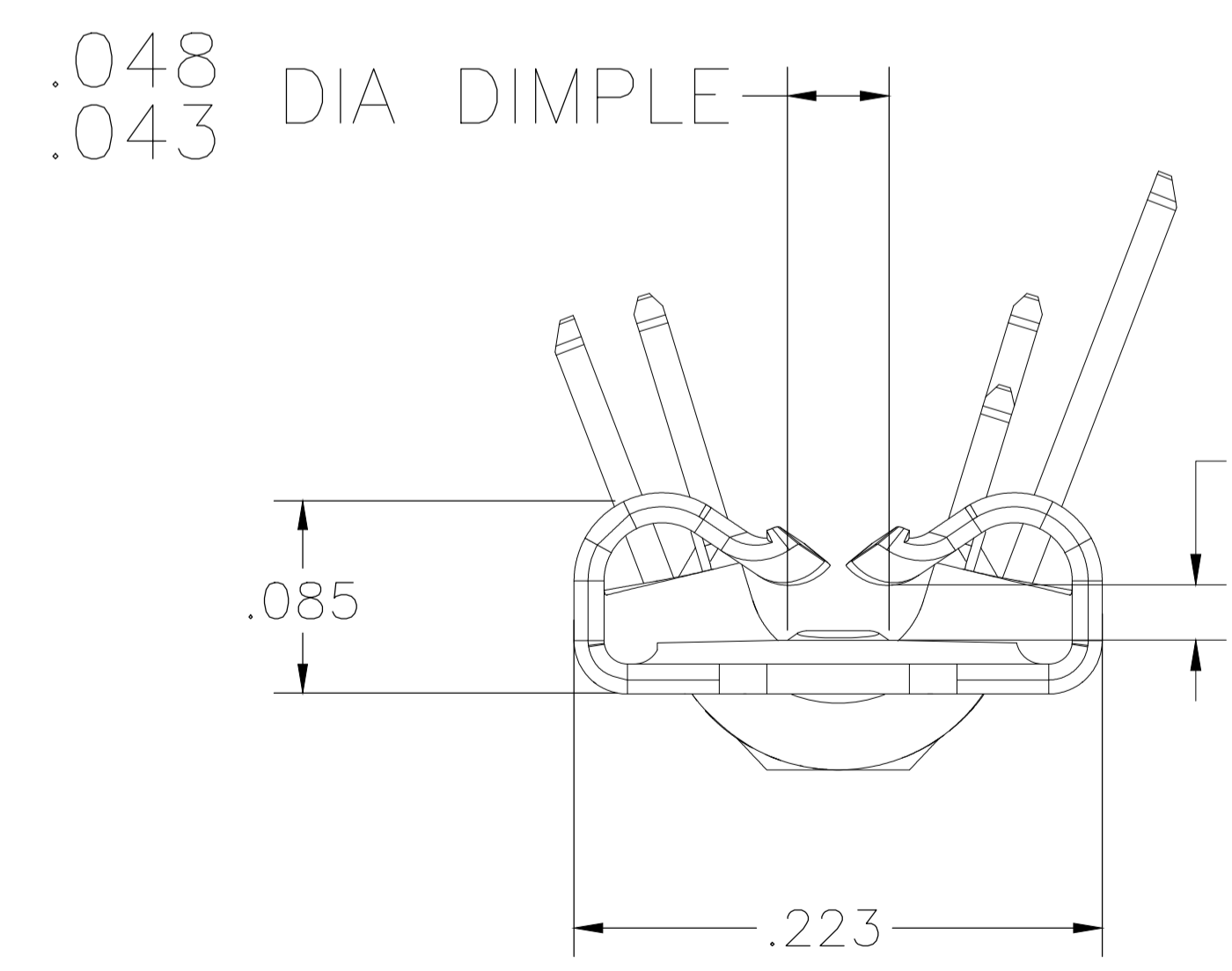
REVISIONS					
P	LTR	DESCRIPTION	DATE	DMN	APVD
A2		REVISED PER ECR-20-009164	16JUL2020	MK	DH



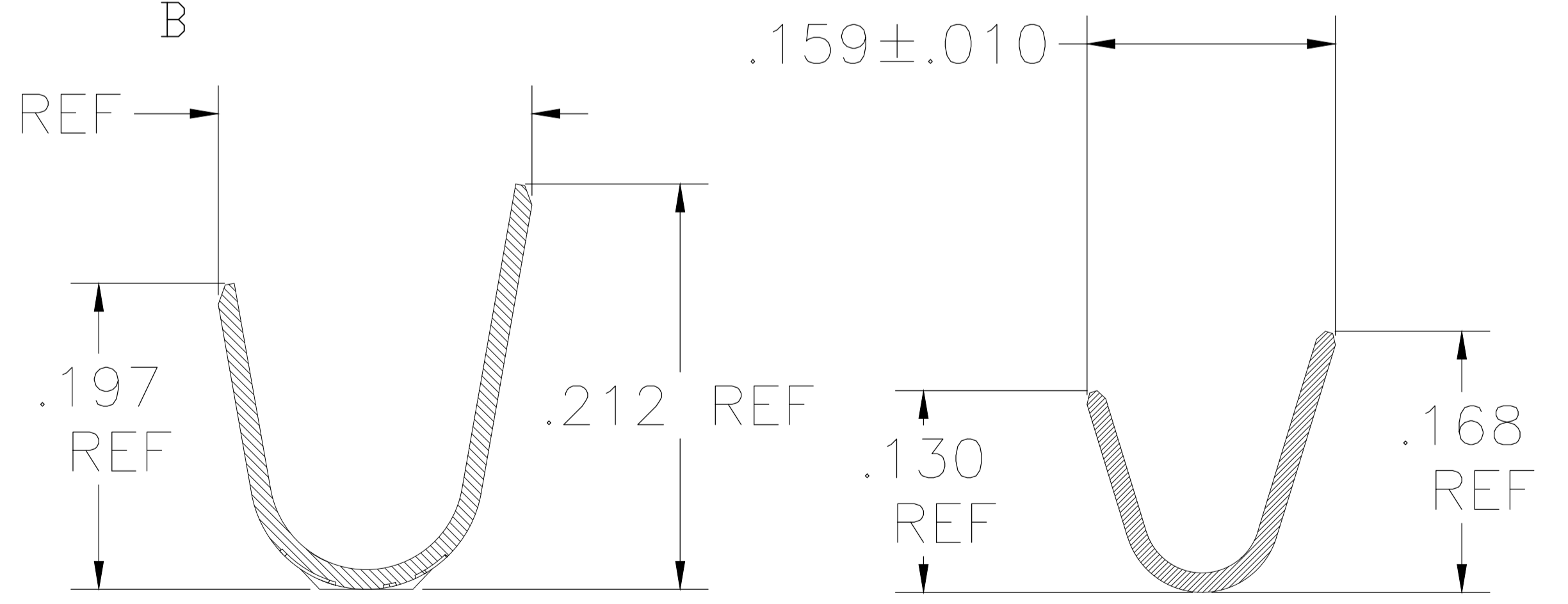
SECTION A-A



SECTION B-B



GAP AS REQUIRED TO MEET FORCE SPECIFICATIONS AND .028 MAX



SECTION C-C

- 1 CONTINUOUS STRIP ON REELS.
- 2 WIRE SIZE IS 24-14 AWG
- 3 INSULATION RANGE IS [.067 - .149]
- 4 MATING TAB THK IS .033-.030
- 5 NOTE NOTE USED
- 6 CONTACT ROLLS TO NOT TOUCH EACH OTHER

OBSOLETED/SUPERSEDED BY 2238174-3		TIN PLATED	BRASS	2238174-3
		-TIN PLATED	BRASS	2238174-1
		FINISH	MATERIAL	PART NUMBER
THIS DRAWING IS A CONTROLLED DOCUMENT.		DIVYA SHUKLA 29DEC2016 DAVID HUMPHREY 29DEC2016 TIM DING 29DEC2016		
DIMENSIONS: INCHES 0 PLC ± - 1 PLC ± - 2 PLC ± - 3 PLC ± .01 4 PLC ± - ANGLES ± 1°		NAME: FASTON .187 STD. REC. 2D STR PRODUCT SPEC: AWG 24-14 TPBR APPLICATION SPEC: - WEIGHT: -		
MATERIAL: -		SIZE: A1 CAGE CODE: 00779 DRAWING NO: 2238174		RESTRICTED TO: -
CUSTOMER DRAWING		SCALE: 10:1		SHEET: 1 OF 1 REV: A2

X-ON Electronics

Largest Supplier of Electrical and Electronic Components

Click to view similar products for [Terminals](#) category:

Click to view products by [TE Connectivity](#) manufacturer:

Other Similar products are found below :

[00-054007-01074-6](#) [00-054007-70206-1](#) [00-054007-70210-8](#) [00-054007-70217-7](#) [00-054007-70226-9](#) [00-054007-70228-3](#) [00-054007-70248-1](#) [00-054007-70256-6](#) [00-054007-70301-3](#) [00-054007-70316-7](#) [0-0320562-0](#) [00-054007-49560-4](#) [00-054007-70209-2](#) [00-054007-70225-2](#) [00-054007-70227-6](#) [00-054007-70231-3](#) [00-054007-70241-2](#) [00-054007-70242-9](#) [00-054007-70244-3](#) [00-054007-70246-7](#) [00-054007-70263-4](#) [00-054007-70288-7](#) [00-054007-70290-0](#) [00-054007-70300-6](#) [00-054007-70304-4](#) [01-2065-1-0216](#) [01-2900-1-04412](#) [00581P0075](#) [600TS-10](#) [60205-1](#) [604200-1](#) [605601-1](#) [60598-1-CUT-TAPE](#) [61314-6-C](#) [61810-3](#) [61-S](#) [61-SN](#) [626-0194](#) [62-NBM-A](#) [62-SN](#) [62-SP](#) [63-S](#) [640179-1](#) [M55155/059I03](#) [M55155/079C01](#) [M55155/099H02](#) [M55155/109H01](#) [M55155/109H02](#) [M55155/12XH05](#) [M55155/16XH02](#)