

THIS DRAWING IS UNPUBLISHED.

RELEASED FOR PUBLICATION

20

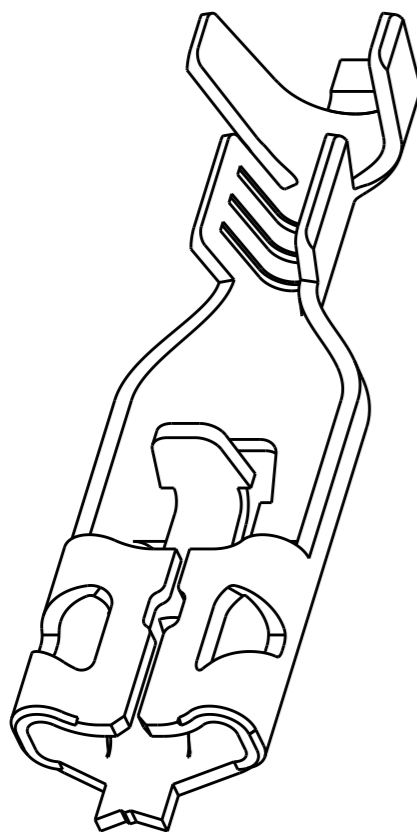
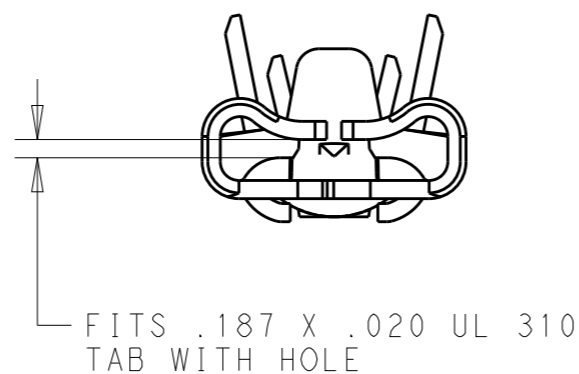
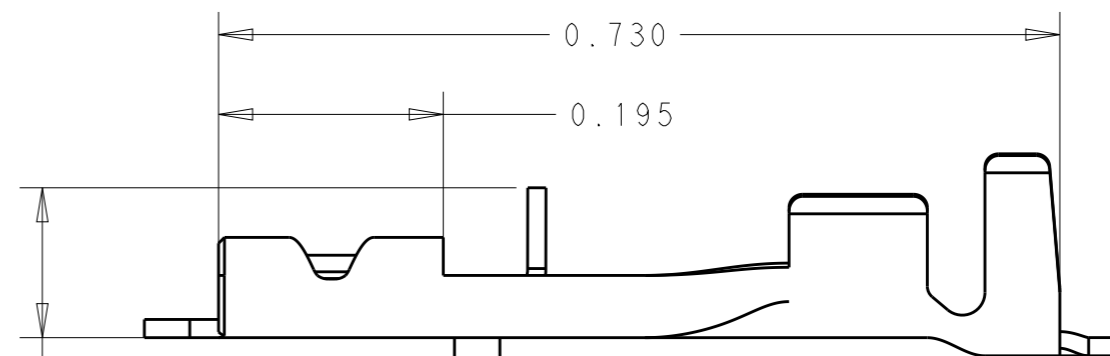
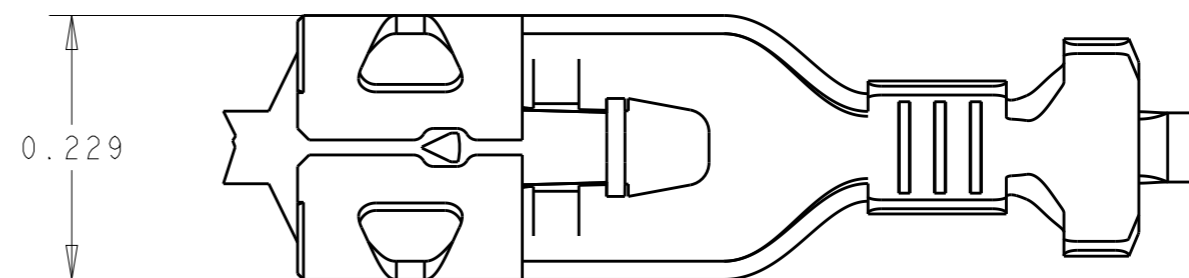
© COPYRIGHT 20 BY -


ALL RIGHTS RESERVED.

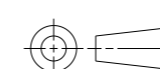
REVISIONS

P	LTR	DESCRIPTION	DATE	DWN	APVD
	A	RELEASED PER ECR-18-007868	22MAY2018	MD	TD

1. THIS PRODUCT HAS NOT COMPLETED QUALIFICATION TESTING.



.065 - .130	20-16 AWG	2238178-1
INSULATION RANGE	WIRE SIZE	PART NUMBER
DWN M. DIDONATO 22MAY2018	 TE Connectivity	
CHK M. DIDONATO 22MAY2018		
APVD T. DING 22MAY2018	NAME 187X020 SERIES POSITIVE LOCK MARK II RECEP.	
PRODUCT SPEC 108-143022	SIZE A3	CAGE CODE -
APPLICATION SPEC 114-2074	DRAWING NO C-2238178	RESTRICTED TO -
WEIGHT -	SCALE 3:1	SHEET 1 OF 1
CUSTOMER DRAWING		REV A1

THIS DRAWING IS A CONTROLLED DOCUMENT.	
DIMENSIONS: IN	TOLERANCES UNLESS OTHERWISE SPECIFIED:
	0 PLC ±-
	1 PLC ±-
	2 PLC ±-
	3 PLC ±.015
	4 PLC ±-
	ANGLES ±-
MATERIAL STEEL	FINISH NI

## X-ON Electronics

Largest Supplier of Electrical and Electronic Components

*Click to view similar products for [Terminals](#) category:*

*Click to view products by [TE Connectivity](#) manufacturer:*

Other Similar products are found below :

[00-054007-01074-6](#) [00-054007-70206-1](#) [00-054007-70210-8](#) [00-054007-70217-7](#) [00-054007-70226-9](#) [00-054007-70228-3](#) [00-054007-70248-1](#) [00-054007-70256-6](#) [00-054007-70301-3](#) [00-054007-70316-7](#) [00-054007-49560-4](#) [00-054007-70209-2](#) [00-054007-70225-2](#) [00-054007-70227-6](#) [00-054007-70231-3](#) [00-054007-70241-2](#) [00-054007-70242-9](#) [00-054007-70244-3](#) [00-054007-70246-7](#) [00-054007-70263-4](#) [00-054007-70288-7](#) [00-054007-70290-0](#) [00-054007-70300-6](#) [00-054007-70304-4](#) [01-2065-1-0216](#) [01-2900-1-04412](#) [00581P0075](#) [600TS-10](#) [60205-1](#) [604200-1](#) [605601-1](#) [60598-1-CUT-TAPE](#) [61314-6-C](#) [61810-3](#) [61-S](#) [61-SN](#) [626-0194](#) [62-NBM-A](#) [62-SN](#) [62-SP](#) [63-S](#) [640179-1](#) [M55155/059I03](#) [M55155/079C01](#) [M55155/099H02](#) [M55155/109H01](#) [M55155/109H02](#) [M55155/12XH05](#) [M55155/16XH02](#) [M55155/29-5S](#)