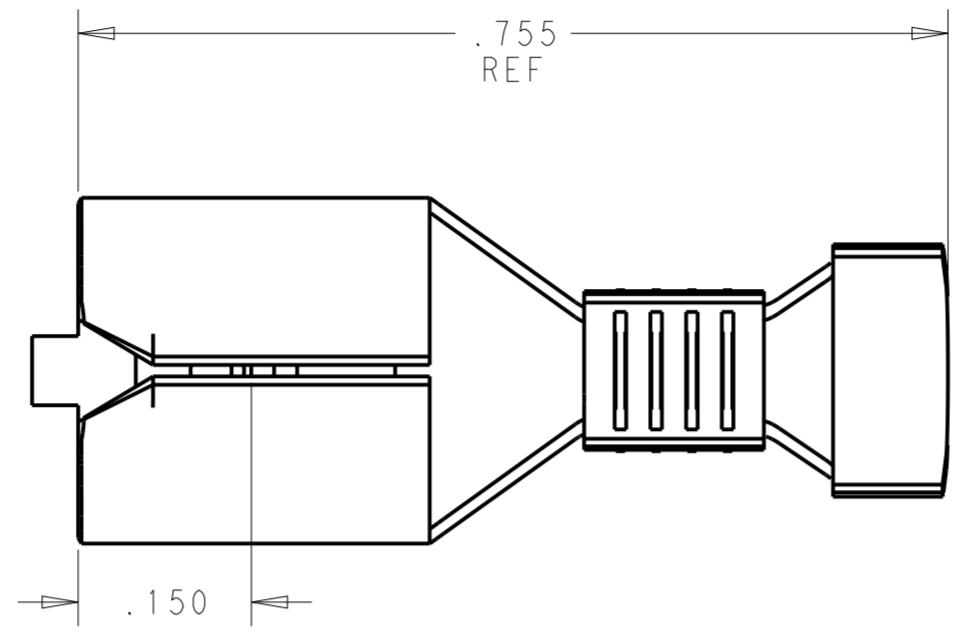
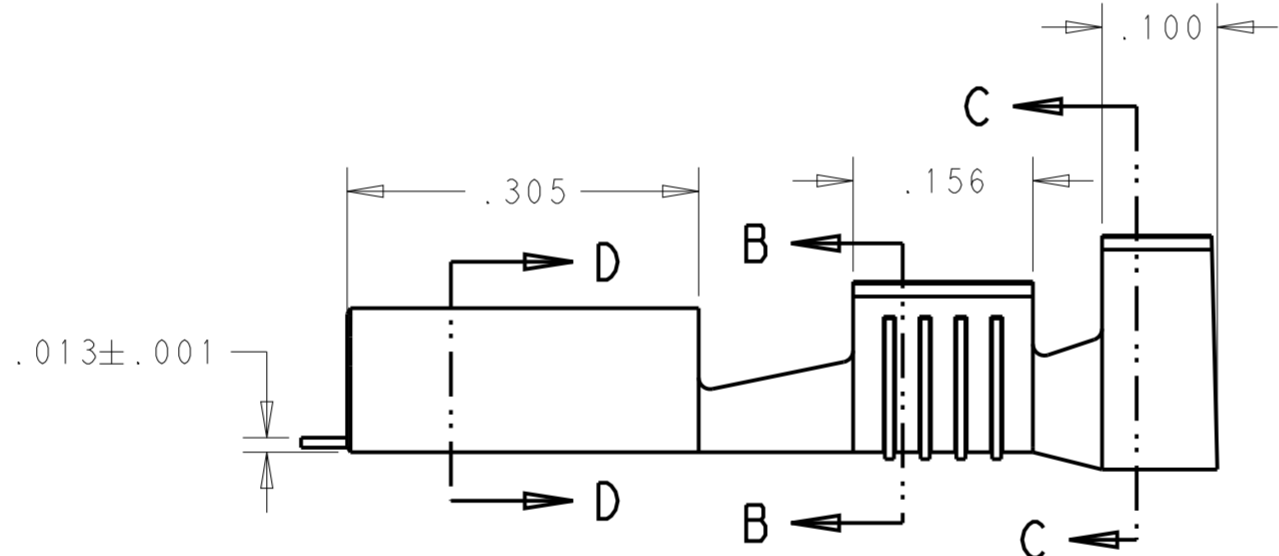
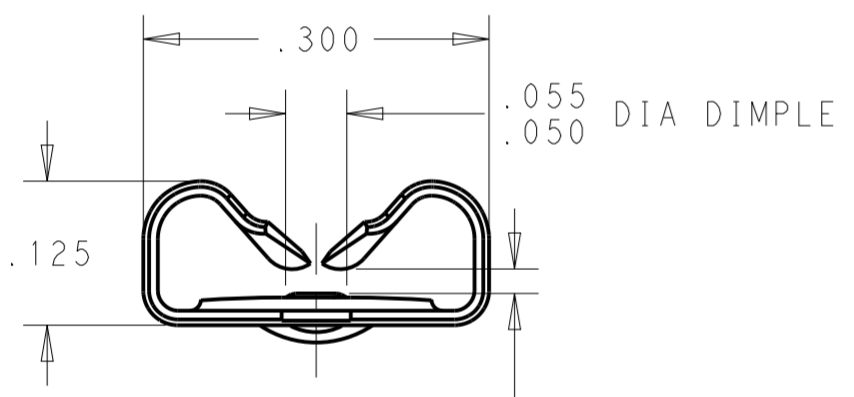


THIS DRAWING IS UNPUBLISHED. RELEASED FOR PUBLICATION 20
 © COPYRIGHT 2018 BY TE CONNECTIVITY ALL RIGHTS RESERVED.

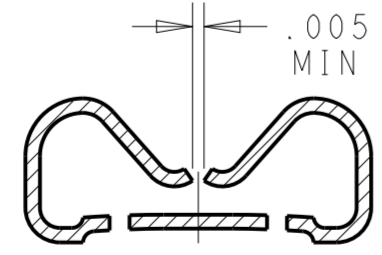
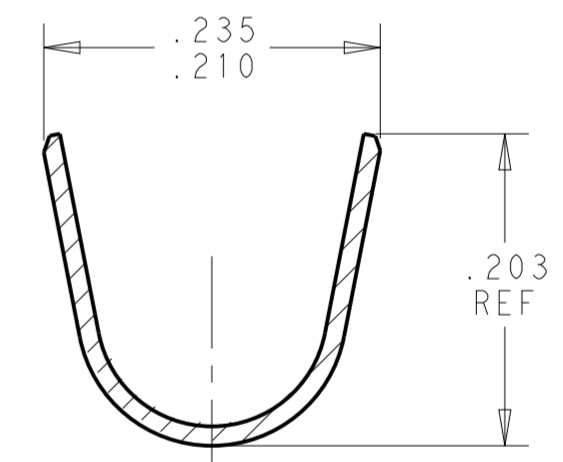
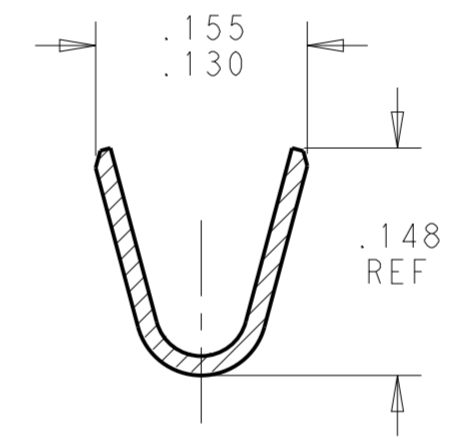
REVISIONS					
P	LTR	DESCRIPTION	DATE	DWN	APVD
A1		REVISED PER ECO-18-002523	19FEB2018	RS	DH
A2		REVISED PER ECR-20-009164	22JUL2020	MK	DH



- 1 CONTINUOUS STRIP ON REELS
- 2 WIRE SIZE IS #18-#14 AWG
- 3 INSULATION RANGE IS .120-.170 DIA
- 4 MATING TAB THK IS .033-.030
- 5 UL APPROVED FOR AWG 18-14



GAP AS REQUIRED TO MEET FORCE SPECIFICATIONS AND .028 MAX



SECTION D-D

TIN FINISH	BRASS MATERIAL	2238196-3 PART NUMBER
------------	----------------	-----------------------

THIS DRAWING IS A CONTROLLED DOCUMENT.		DWN 10 JAN 2018 BASVESH WARAD	STE TE Connectivity	
DIMENSIONS: INCHES		CHK 10 JAN 2018 HUMPHREY, DAVID		
TOLERANCES UNLESS OTHERWISE SPECIFIED:		APVD 10 JAN 2018 HUMPHREY, DAVID	NAME FASTON, .250 STD REC STR F-CR, AWG 18-14, TPBR	
0 PLC ±	1 PLC ±	PRODUCT SPEC -	SIZE A2	CAGE CODE 00779
2 PLC ±	3 PLC ±.010	APPLICATION SPEC -	DRAWING NO C-2238196	RESTRICTED TO -
4 PLC ±	ANGLES ±5°	WEIGHT -	SCALE 6:1	SHEET 1 OF 1
MATERIAL SEE TABLE	FINISH SEE TABLE	CUSTOMER DRAWING	REV A2	

X-ON Electronics

Largest Supplier of Electrical and Electronic Components

Click to view similar products for [Terminals](#) category:

Click to view products by [TE Connectivity](#) manufacturer:

Other Similar products are found below :

[00-054007-01074-6](#) [00-054007-70206-1](#) [00-054007-70210-8](#) [00-054007-70217-7](#) [00-054007-70226-9](#) [00-054007-70228-3](#) [00-054007-70248-1](#) [00-054007-70256-6](#) [00-054007-70301-3](#) [00-054007-70316-7](#) [0-0320562-0](#) [00-054007-49560-4](#) [00-054007-70209-2](#) [00-054007-70225-2](#) [00-054007-70227-6](#) [00-054007-70231-3](#) [00-054007-70241-2](#) [00-054007-70242-9](#) [00-054007-70244-3](#) [00-054007-70246-7](#) [00-054007-70263-4](#) [00-054007-70288-7](#) [00-054007-70290-0](#) [00-054007-70300-6](#) [00-054007-70304-4](#) [01-2065-1-0216](#) [01-2900-1-04412](#) [00581P0075](#) [600TS-10](#) [60205-1](#) [604200-1](#) [605601-1](#) [60598-1-CUT-TAPE](#) [61314-6-C](#) [61810-3](#) [61-S](#) [61-SN](#) [626-0194](#) [62-NBM-A](#) [62-SN](#) [62-SP](#) [63-S](#) [640179-1](#) [M55155/059I03](#) [M55155/079C01](#) [M55155/099H02](#) [M55155/109H01](#) [M55155/109H02](#) [M55155/12XH05](#) [M55155/16XH02](#)