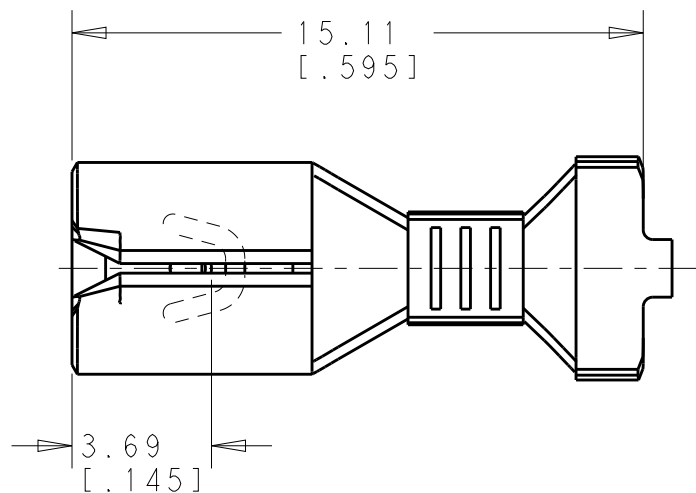
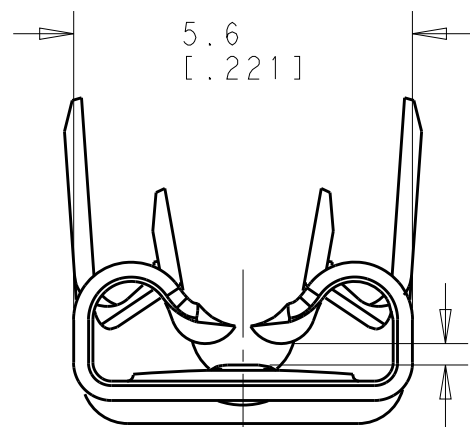


REVISIONS

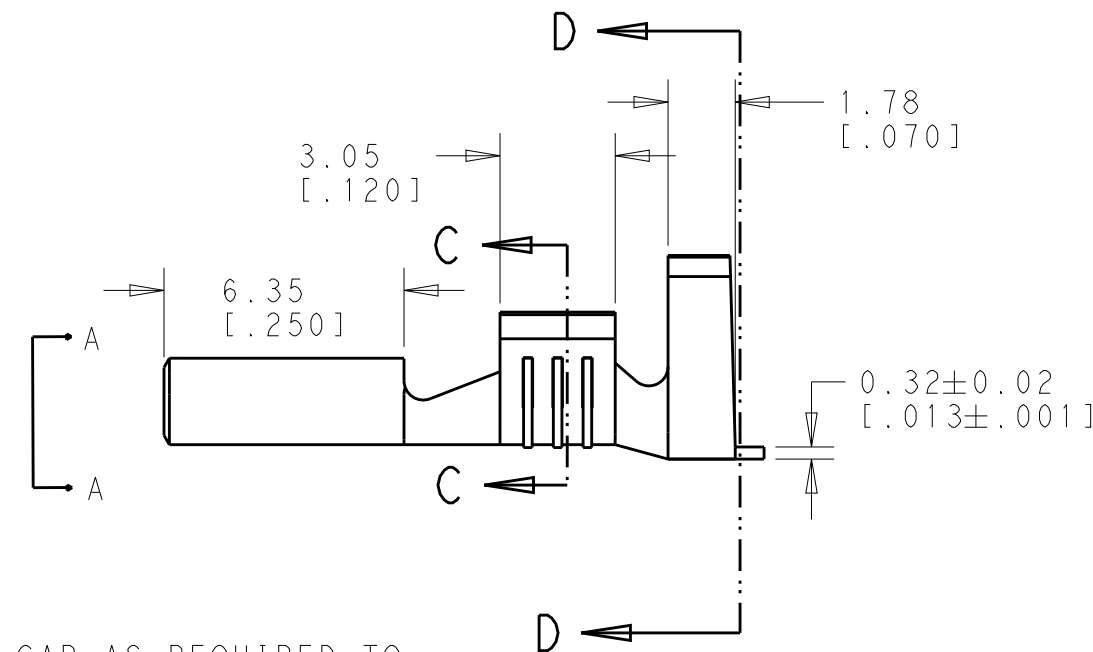
P	LTR	DESCRIPTION	DATE	DWN	APVD
	A	RELEASED PER ECO-18-002592	20FEB2018	RS	DH
	B	REVISED PER ECR-19-012503	06SEP2019	PC	DH
	B1	REVISED PER ECR-20-009164	22JULY2020	MK	DH



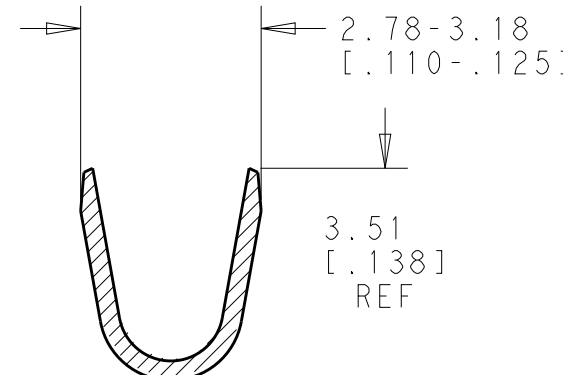
- CONTINUOUS STRIP ON REELS.
- WIRE SIZE #18-#16 OR TWO #18'S AWG
- INSULATION RANGE 2.67-5.33 [.105-.210] DIA OR TWO AT 2.67 MAX [.105] DIA
- MATING TAB THK 0.84-0.76 [.033-.030]
- AWG 18-16 & (2) AWG 18 UL APPROVAL
- PAPER INTERLEAVING ON FINAL PACKAGING. QTY/REEL = 15K/REEL.



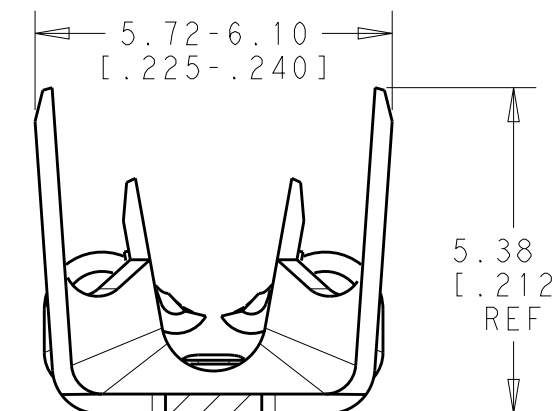
VIEW A-A  
SCALE 8:1



GAP AS REQUIRED TO MEET FORCE SPECIFICATIONS AND 0.71 [.028] MAX



SECTION C-C  
SCALE 8:1



SECTION D-D  
SCALE 8:1

TIN	BRASS	2238199-3
FINISH	MATERIAL	PART NO.

THIS DRAWING IS A CONTROLLED DOCUMENT.

DWN 05JAN2018  
BASVESH WARAD  
CHK 05JAN2018  
HUMPHREY, DAVID  
APVD 05JAN2018  
HUMPHREY, DAVID



DIMENSIONS: mm[INCHES]	TOLERANCES UNLESS OTHERWISE SPECIFIED:
	0 PLC ± 1 PLC ± 2 PLC ±0.25[.010] 3 PLC ± 4 PLC ± ANGLES ±5°

MATERIAL SEE TABLE  
FINISH SEE TABLE

PRODUCT SPEC -  
APPLICATION SPEC -  
WEIGHT -

NAME FASTON 187 STD REC STR 18-16 OR 2X18 TPBR			
SIZE	CAGE CODE	DRAWING NO	RESTRICTED TO
A3	00779	C-2238199	-
CUSTOMER DRAWING		SCALE 5:1	SHEET 1 OF 1 REV B1

## X-ON Electronics

Largest Supplier of Electrical and Electronic Components

*Click to view similar products for [Terminals](#) category:*

*Click to view products by [TE Connectivity](#) manufacturer:*

Other Similar products are found below :

[00-054007-01074-6](#) [00-054007-70206-1](#) [00-054007-70210-8](#) [00-054007-70217-7](#) [00-054007-70226-9](#) [00-054007-70228-3](#) [00-054007-70248-1](#) [00-054007-70256-6](#) [00-054007-70301-3](#) [00-054007-70316-7](#) [0-0320562-0](#) [00-054007-49560-4](#) [00-054007-70209-2](#) [00-054007-70225-2](#) [00-054007-70227-6](#) [00-054007-70231-3](#) [00-054007-70241-2](#) [00-054007-70242-9](#) [00-054007-70244-3](#) [00-054007-70246-7](#) [00-054007-70263-4](#) [00-054007-70288-7](#) [00-054007-70290-0](#) [00-054007-70300-6](#) [00-054007-70304-4](#) [01-2065-1-0216](#) [01-2900-1-04412](#) [00581P0075](#) [600TS-10](#) [60205-1](#) [604200-1](#) [605601-1](#) [60598-1-CUT-TAPE](#) [61314-6-C](#) [61810-3](#) [61-S](#) [61-SN](#) [626-0194](#) [62-NBM-A](#) [62-SN](#) [62-SP](#) [63-S](#) [640179-1](#) [M55155/059I03](#) [M55155/079C01](#) [M55155/099H02](#) [M55155/109H01](#) [M55155/109H02](#) [M55155/12XH05](#) [M55155/16XH02](#)