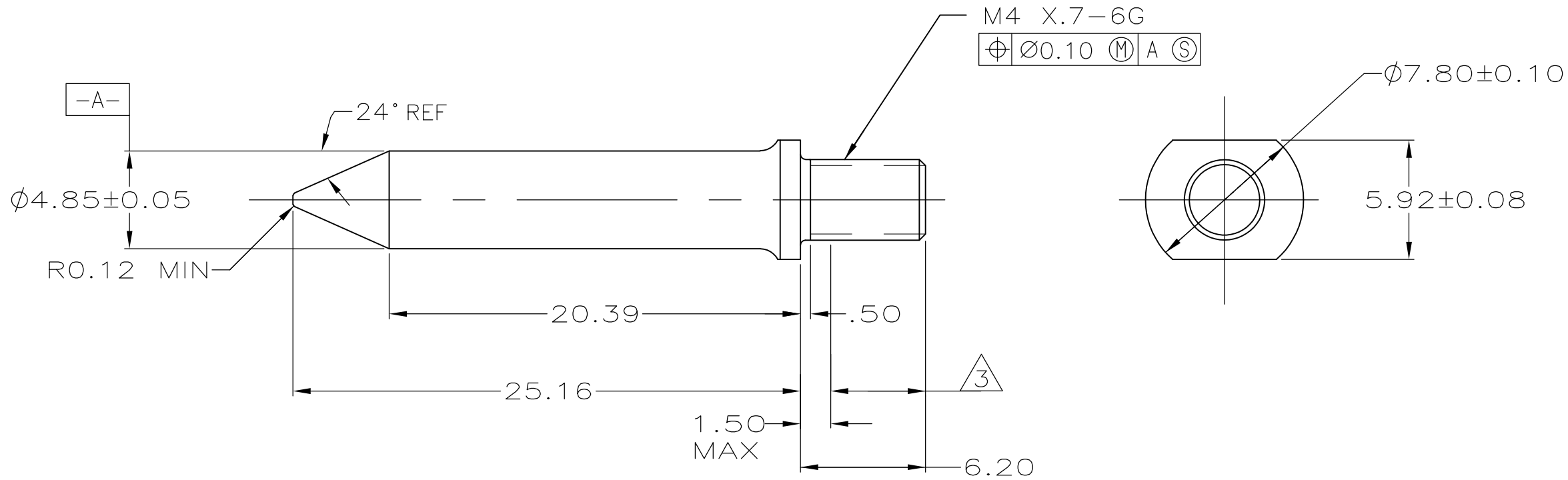


THIS DRAWING IS UNPUBLISHED. RELEASED FOR PUBLICATION
 © COPYRIGHT - By - ALL RIGHTS RESERVED.

LOC	DIST	REVISIONS			
P	LTR	DESCRIPTION	DATE	DWN	APVD
AD	47				
	E3	REVISED PER ECR-15-012700	28AUG2015	ML	SZ

- 1 MATERIAL: STAINLESS STEEL.
- 2 FINISH: PASSIVATE.
- 3 LOCTITE DRI-LOC 204 APPLIED IN THIS AREA.
- 4. RECOMMENDED P.C. BOARD DRILLED HOLE DIAMETER IS $4.10 \pm 0.08 \text{mm}$ IF APPLYING A NUT FROM THE REAR OF THE BOARD. IF USING WITH PEM NUT P/N KFS2-M4, DRILLED HOLE DIAMETER SHOULD BE $6.4 \pm 0.08 \text{mm}$.



223956-1
PART NUMBER

THIS DRAWING IS A CONTROLLED DOCUMENT.		DWN	25/JAN/95	TE Connectivity		NAME GUIDE PIN, UNIVERSAL POWER MODULE			
DIMENSIONS: mm		CHK	25/JAN/95						
TOLERANCES UNLESS OTHERWISE SPECIFIED:		APVD	25/JAN/95						
0 PLC ± - 1 PLC ± - 2 PLC ± 0.13 3 PLC ± - 4 PLC ± - ANGLES ± 0' 30'		PRODUCT SPEC	-						
MATERIAL		FINISH		APPLICATION SPEC	-	SIZE	CAGE CODE	DRAWING NO	RESTRICTED TO
1		2 3		WEIGHT	-	A3	00779	C-223956	-
CUSTOMER DRAWING				SCALE	4:1	SHEET	1 OF 1	REV	E3

X-ON Electronics

Largest Supplier of Electrical and Electronic Components

Click to view similar products for [Hard Metric Connectors](#) category:

Click to view products by [TE Connectivity](#) manufacturer:

Other Similar products are found below :

[6345127-1](#) [646916-9](#) [6469658-1](#) [973108](#) [1-2000713-0](#) [1-2000713-2](#) [1-2000713-3](#) [1645343-1](#) [1645456-1](#) [1645594-1](#) [1645595-1](#) [1645601-1](#)
[1934822-1](#) [278071110010833](#) [1645179-1](#) [1645245-1](#) [1645457-1](#) [1645525-1](#) [1645570-1](#) [1645596-1](#) [17041102202](#) [1857470-1](#) [1934275-1](#)
[1934289-1](#) [1934759-1](#) [2000673-1](#) [2170292-2](#) [2-536642-6](#) [3-106015-1](#) [352188-1](#) [352629-1](#) [5120823-1](#) [5120899-1](#) [3-100145-0](#) [3-100147-0](#)
[3-100669-1](#) [3-106081-0](#) [HM2DK2368PLF](#) [5646530-1](#) [3-352049-0](#) [3-352069-0](#) [3-352115-0](#) [3-352638-0](#) [352189-1](#) [3-646357-0](#) [3-646487-0](#)
[3-646513-0](#) [106726-1](#) [114352](#) [114619](#)