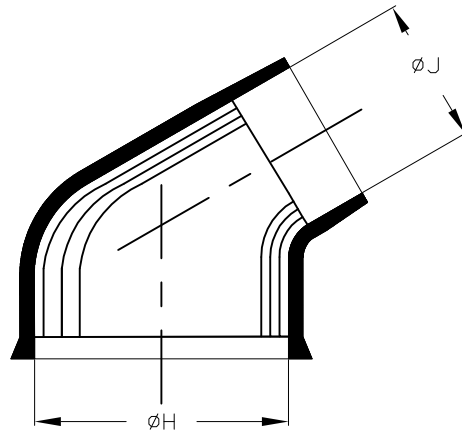
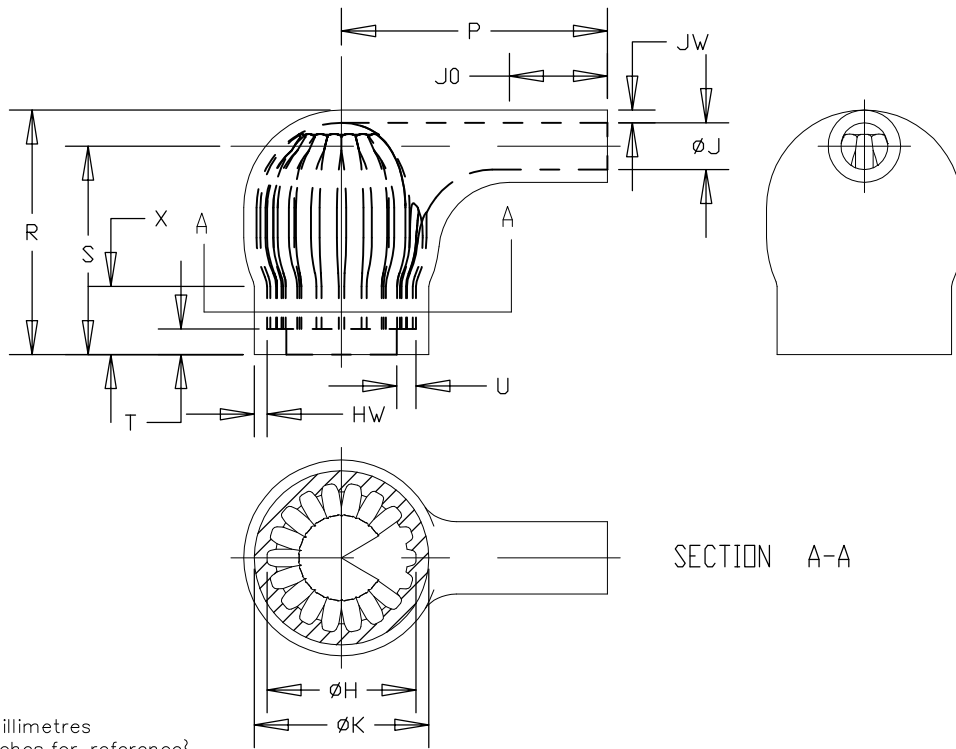


| REVISIONS | | | | |
|-----------|-----|------------------|-----------|-------|
| P | LTR | DESCRIPTION | DATE | APVD |
| | A | PRODUCTION ISSUE | 21JUL2016 | NN AP |

a. PART AS SUPPLIED



b. PART AFTER UNRESTRICTED RECOVERY



DIMENSIONS in millimetres
{in inches, for reference}

| Part No. | H | | J | | K | | P | R | S | T | U | J0 | HW | JW | X |
|----------|--------|--------|--------|--------|--------|--------|--------|--------|--------|--------|--------|--------|--------|--------|--------|
| | Min | Max | Min | Max | Min | Max | ±10% | ±10% | ±10% | ±10% | ±10% | ±10% | ±20% | ±20% | ±20% |
| | a | b | a | b | b | b | b | b | b | b | b | b | b | b | b |
| 223W601 | 10 | 6.3 | 6.0 | 2.0 | 10 | 7.4 | 12.5 | 11.5 | 9.8 | 1.2 | 0.8 | 6.0 | 0.6 | 0.6 | 3.2 |
| | {0.39} | {0.25} | {0.24} | {0.08} | {0.39} | {0.29} | {0.49} | {0.45} | {0.39} | {0.05} | {0.03} | {0.24} | {0.02} | {0.02} | {0.13} |

RELEASED FOR PUBLICATION

ALL RIGHTS RESERVED.

COPYRIGHT 2016 By TE CONNECTIVITY

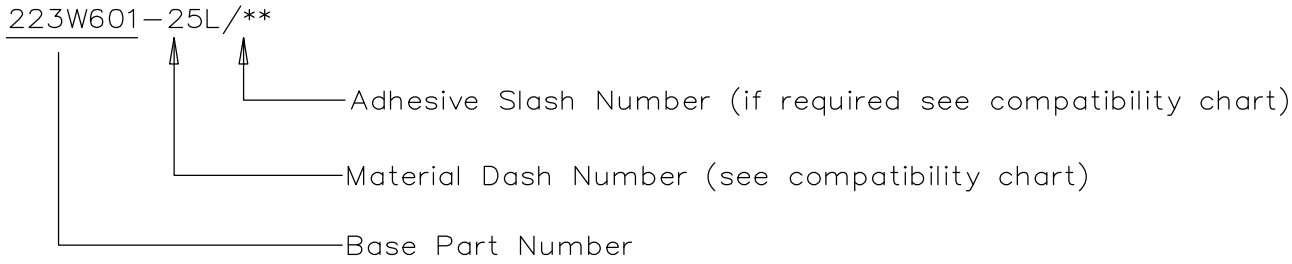
THIS DRAWING IS UNPUBLISHED.

| | | | | | | | |
|---|------------------|------------------|---|-----------|-----------------|---------------|-------|
| DIMENSIONS: mm | DWN | 06JUL2016 | MATERIAL | FINISH | | | |
| | N. NAGAR | | - | | | | |
| TOLERANCES UNLESS OTHERWISE SPECIFIED: | CHK | 20JUL2016 | TE Connectivity | | | | |
| | M. MAZARIEGOS | | | | | | |
| 0 PLC ± - 1 PLC ± - 2 PLC ± - 3 PLC ± - 4 PLC ± - ANGLES ± - | APVD | 20JUL2016 | NAME AVIORACE BULBOUS 90 DEG BOOT | | | | |
| | A. POOLE | | | | | | |
| | PRODUCT SPEC | - | SIZE | CAGE CODE | DRAWING NO | RESTRICTED TO | |
| | APPLICATION SPEC | - | A4 | 00779 | C-223W601-25L-0 | | - |
| WEIGHT | 0 | CUSTOMER DRAWING | | SCALE | NTS | SHEET 1 OF 2 | REV A |

| REVISIONS | | | | |
|-----------|-----|-------------|------|------|
| P | LTR | DESCRIPTION | DATE | APVD |
| | - | SEE SHEET 1 | - | - |

| COMPATABILITY CHART | | | | |
|----------------------|---|----------|-------------------|----------------------------|
| Material Dash Number | Material Description | SPEC No. | Coating Slash No. | Adhesive S No. |
| -25L | LIGHT WEIGHT ELASTOMER FLUID RESISTANT | RW-3040 | /42, /86, /225 | S1017 or S1048 or S1125 |
| | | | | |
| | | | | |
| | | | | |
| | | | | |

ORDERING INFORMATION



NOTES

- As supplied dimensions are for uncoated parts, when coating is added entry diameters will reduce by 1.5mm Max.
- For method of measuring recovered diameter. see appropriate RW specification (SPEC Number), section 2.2,

RELEASED FOR PUBLICATION

ALL RIGHTS RESERVED.

THIS DRAWING IS UNPUBLISHED.

© COPYRIGHT 2016 By TE CONNECTIVITY

| | | | |
|--|-----------------------------------|---|-------------------------------|
| DIMENSIONS: mm TOLERANCES UNLESS OTHERWISE SPECIFIED: 0 PLC ± - 1 PLC ± - 2 PLC ± - 3 PLC ± - 4 PLC ± - ANGLES ± - | DWN N. NAGAR 06JUL2016 | MATERIAL - | FINISH - |
| | CHK M. MAZARIEGOS 20JUL2016 | TE Connectivity | |
| | APVD A. POOLE 20JUL2016 | | |
| | PRODUCT SPEC - | NAME AVIORACE BULBOUS 90 DEG BOOT | |
| APPLICATION SPEC - | SIZE A4 | CAGE CODE 00779 | DRAWING NO C-223W601-25L-0 |
| WEIGHT 0 | RESTRICTED TO - | | |
| CUSTOMER DRAWING | | | SCALE NTS SHEET 2 OF 2 REV A |

X-ON Electronics

Largest Supplier of Electrical and Electronic Components

Click to view similar products for [Heat Shrink Cable Boots & End Caps](#) category:

Click to view products by [TE Connectivity](#) manufacturer:

Other Similar products are found below :

[577159N001](#) [618803-000](#) [645494-000](#) [CX4132-000](#) [687025-000](#) [718446-000](#) [F27131-000](#) [F85868-000](#) [770-013210W1](#) [770-013311](#) [770-013312](#) [806542N001](#) [808059-000](#) [808362-000](#) [809125-000](#) [809130-000](#) [809218-000](#) [812014-000](#) [812047-000](#) [813767N002](#) [814741-000](#) [819117N001](#) [823026-000](#) [825002-000](#) [841189N001](#) [861471-000](#) [879515-000](#) [957073-000](#) [982033-2](#) [A77813-000](#) [D96192-000](#) [163549-000](#) [EN3BOOTLKIT](#) [MTPSRBCL-C](#) [1954015-1](#) [200W531-3-0](#) [202A163-4-0-CS5067](#) [202A343-3-00-0](#) [202B221-13-0](#) [202B563-25-07-0](#) [202D121-4-01/86-0](#) [202D211-3-22/42-0](#) [202D221-4-0-CS8970](#) [202D221-4-22/180-0](#) [202D263-25-08-0](#) [202E334-51-0-CS5324](#) [202E336-71-0](#) [202F211-50-22-0-CS8474](#) [202F211-51-07/86-0](#) [202F242-51-04/164-0](#)