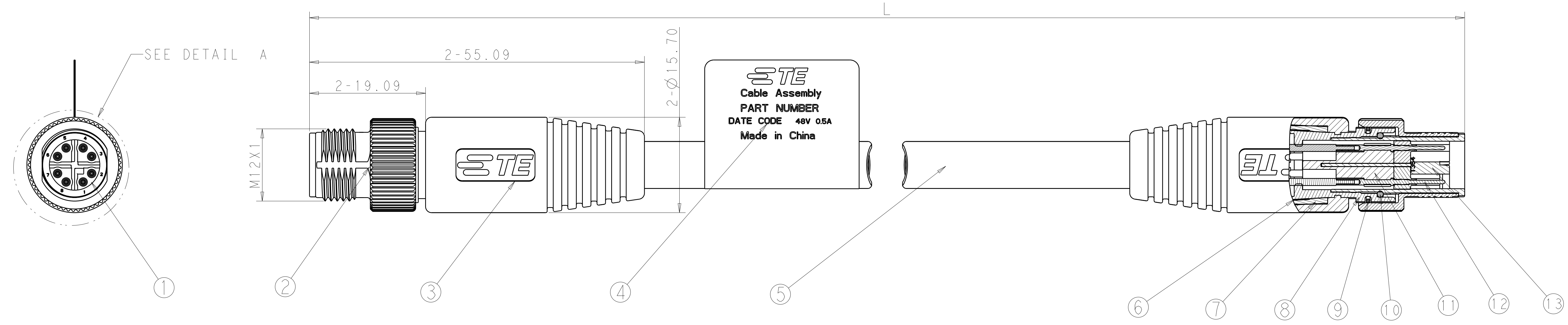
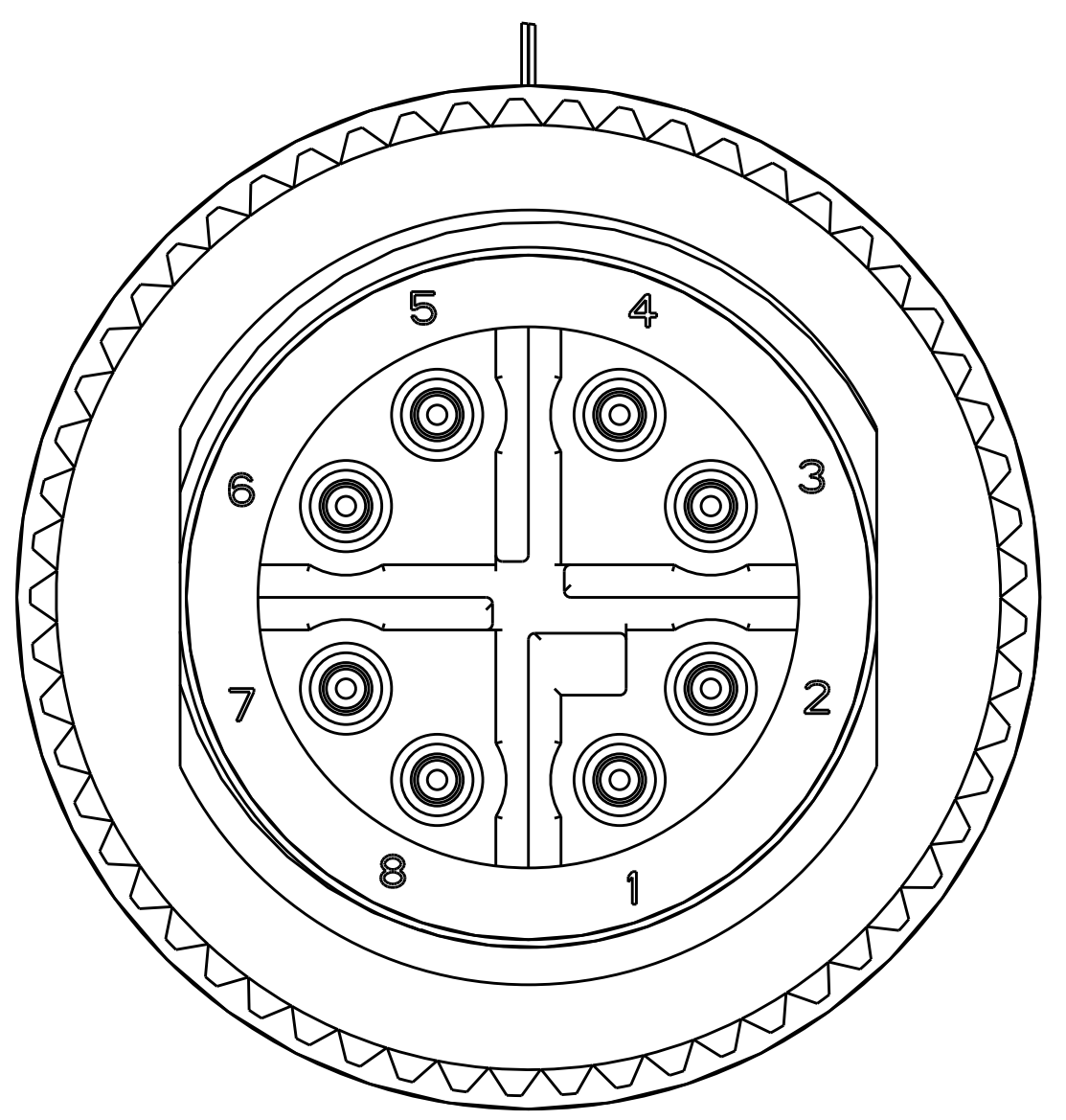


REVISONS		DATE	DMN	APVD
A2	OFFICIAL INITIAL RELEASE	14-Jan-14	K. Z	X. X
A3	UPDATE DOCUMENT STATUS	30-JUN-14	H. W	X. X
A4	ADD NEW PART NUMBER	22JUL2015	N. P	X. X
A5	ECR-18-005448, ADD NEW PART NUMBER	12APR2018	T. F	C. W



ITEM	DESCRIPTION	MATERIAL	FINISH/COLOR
1	INSERT	PA	BLACK
2	COUPLING RING	ZINC ALUMINUM ALLOY	NICKEL OVER COPPER
3	OVERMOLD	PVC	BLACK
4	LABLE	POLYESTER	WHITE
5	CABLE	COPPER/PVC	BLACK
6	COPPER FOIL	COPPER	
7	SHRINK TUBE		
8	SHEATH BODY	ZINC ALUMINUM ALLOY	NICKEL OVER COPPER
9	GROUNDING SPRING	COPPER ALLOY	NICKEL UNDER PLATED
10	SEALER RING	LSR 2660	BLACK
11	ORGNIZER	PA	BLACK
12	CONTACT	COPPER ALLOY	GOLD OVER NICKEL
13	CROSS SHIELDED	ZINC ALUMINUM ALLOY	NICKEL OVER COPPER

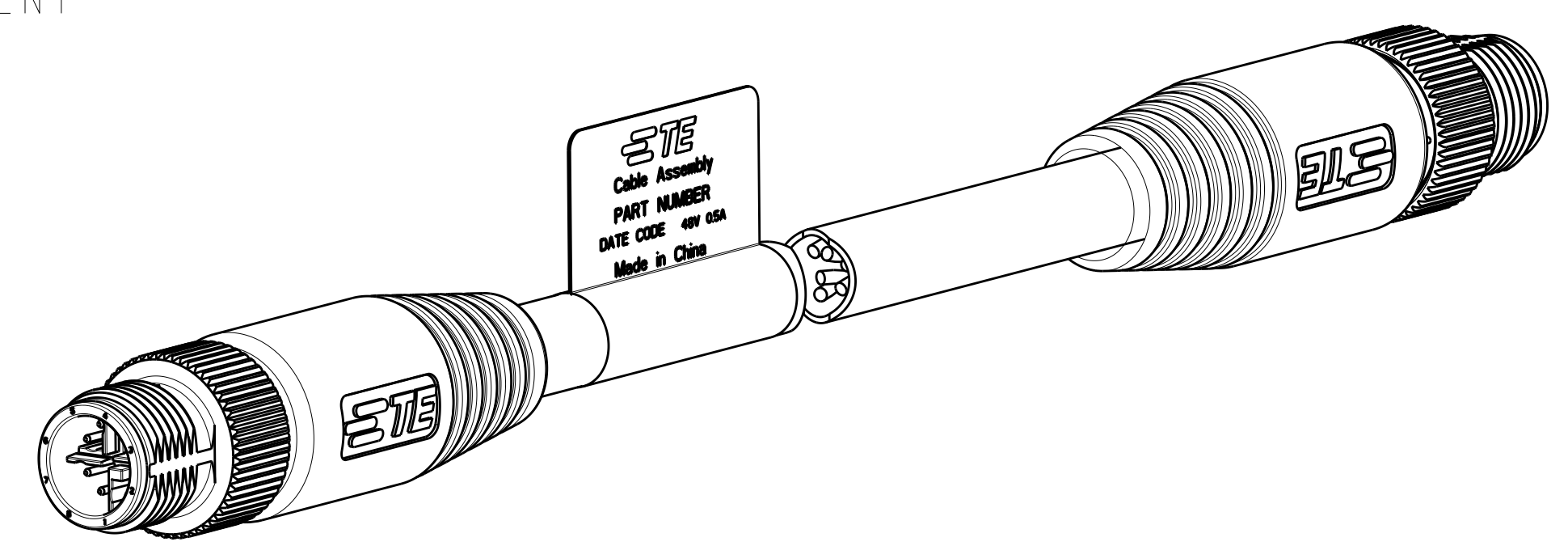


DETAIL A
SCALE 9:1
CONNECTOR PIN ASSIGNMENT

SPCIFICATION:

1. M12 CAT6a 8P CABLE AWG26 SHIELDED DOUBLE ENDED.
2. RATING VOLTAGE:48V, RATING CURRENT: 0.5A.
3. CONTACT RESISTANT: 5 mOhm MAX.
4. INSULATION WITHSTAND: 100 MOHm MIN.
5. PROTECTION: IP67.
6. TEMPERATURE RANGE: -40°~70°.
7. TRANSMISSION CHARACTERISTICS: CAT6a.

WIRE TERMINATION CHART								
NO OF POSITIONS	PIN NUMBER							
	1	2	3	4	5	6	7	8
8	WIRE COLOR							
	WHITE-ORANGE	ORANGE	WHITE-GREEN	GREEN	WHITE-BROWN	BROWN	WHITE-BLUE	BLUE
WIRE PAIRS	TWISTED PAIR #1		TWISTED PAIR #2		TWISTED PAIR #3		TWISTED PAIR #4	



15.0m	2241021-9
7.0m	2241021-8
20.0m	2241021-7
10.0m	2241021-6
5.0m	2241021-5
4.0m	2241021-4
3.0m	2241021-3
2.0m	2241021-2
1.0m	2241021-1
"L" METERS	PART NUMBER

DIMENSIONS:		TOLERANCES UNLESS OTHERWISE SPECIFIED:		APVD		NAME	
mm	0 PLC ±0.3	1 PLC ±0.25	2 PLC ±0.25	APVD	Robby Zhao	12-Apr-18	CHK
	3 PLC ±0.25	4 PLC ±0.25	ANGLES ±0.5	APVD	Klana Xu	12-Apr-18	CHK
MATERIAL	FINISH	WEIGHT	RESTRICTED TO	PRODUCT SPEC	STE TE Connectivity		
				108-137008	DOUBLE ENDED, SHIELDED CAT 6A, PIN CONNECTOR CABLE ASSEMBLY, 10 GIGABIT, M12		
				114-137008	SIZE	CAGE CODE	DRAWING NO
					A1	00779	C=2241021
				Customer Drawing	SCALE	3:1	SHEET 1 OF 1
							REV A5

X-ON Electronics

Largest Supplier of Electrical and Electronic Components

Click to view similar products for [Ethernet Cables / Networking Cables](#) category:

Click to view products by [TE Connectivity](#) manufacturer:

Other Similar products are found below :

[73-6670-7](#) [73-6680-15](#) [73-7797-25](#) [MCJB2-10P6Q7-120](#) [84909-0204](#) [1200700174](#) [1200860368](#) [E16A06002M030](#) [E200102-009-S1](#)
[AX105346-EW](#) [MT14-187L](#) [17-103530](#) [ERWPAB3002M005](#) [190-038045-01](#) [NK5EPC18RDY](#) [NK5EPC18VLY](#) [NK5EPC18YLY](#)
[NK5EPC1GRY](#) [NK5EPC4Y](#) [NK5EPC6YLY](#) [NK5EPC8BLY](#) [NK5EPC9YLY](#) [1969343-6](#) [C501100010](#) [C501106002](#) [C501106007](#)
[C501106015](#) [C501106025](#) [C601102010](#) [C601104010](#) [C601106007](#) [C601106015](#) [2142758-2](#) [2168427-2](#) [CAT1106007](#) [21949-1](#) [2J1866A](#)
[RJF SFTP 5E 0500](#) [AX100351](#) [MN14CEC/ST](#) [C501100015](#) [C501106004](#) [C501106010](#) [C5F1108007](#) [C601104004](#) [C601106004](#)
[CA21106004](#) [CA21106010](#) [CA21106015](#) [CA21109007](#)