

Figure 1

## 1. INTRODUCTION

AMP Extraction Tool 224155-1 is designed to remove both male and female AMP High Current Type XII contacts from their housings. A list of contacts is provided in Figure 1. Read these instructions thoroughly before attempting to remove any contacts.

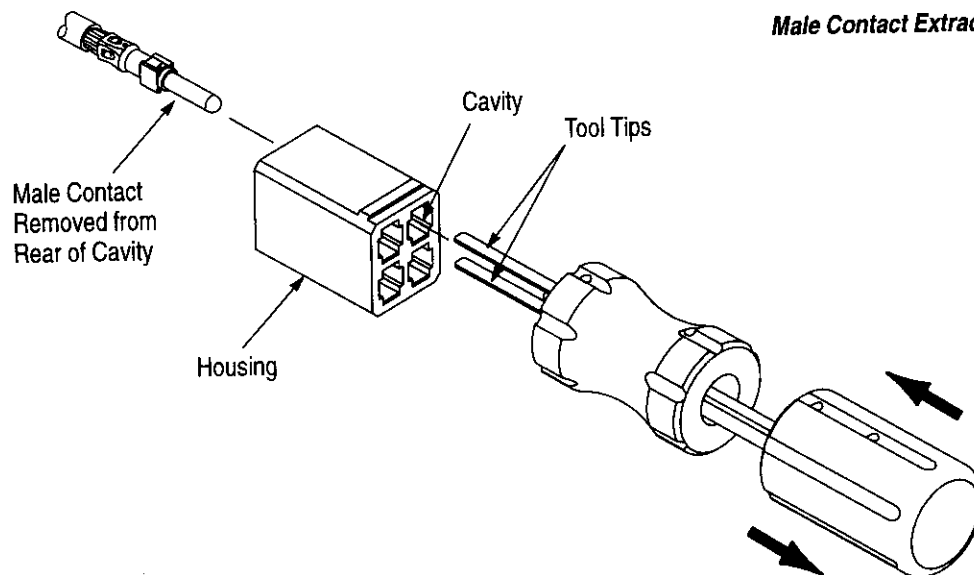
## 2. DESCRIPTION

The extraction tool consists of a plastic handle with two metal tool tips. When correctly inserted in the offsets in the housing cavity, the tool tips depress the contact locking lance, permitting the contact to be removed from the back of the housing.

## 3. EXTRACTION PROCEDURE

### 3.1. Male Contact (Figure 2)

1. Pull rear section of handle back.
2. Keeping sections of handle separated, slide tool tips over male contact and into offsets in cavity.
3. Push tips of tool into housing until they bottom in cavity.
4. Keeping tool bottomed in cavity, push rear section of handle toward housing.
5. Remove contact by pulling it out of rear of cavity.



Male Contact Extraction Procedure

Figure 2

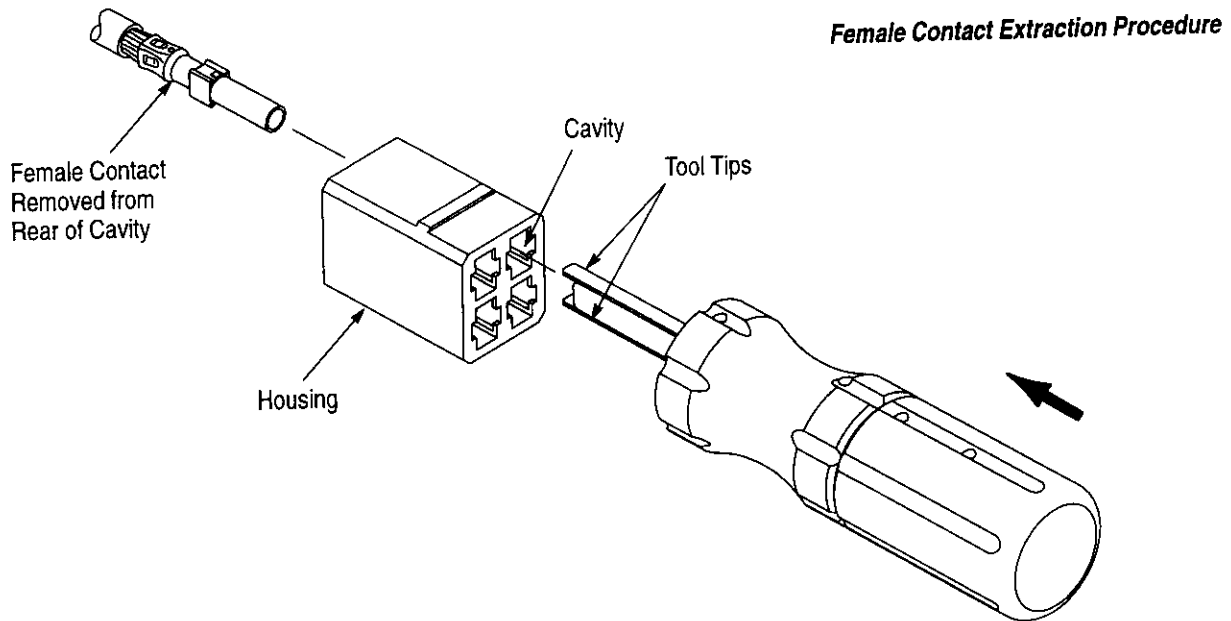


Figure 3

### 3.2. Female Contact (Figure 3)

1. Insert tool tips into offsets in cavity.
2. Push tool into housing until it bottoms in cavity.

**NOTE**

*Rear section of the handle will back out of tool.*

3. Keeping tool bottomed in cavity, push rear section of handle toward housing.
4. Remove contact by pulling it out of rear of cavity.

### 4. TOOL MAINTENANCE

It is recommended that the tool be inspected when you receive it and at regularly scheduled intervals. The tool is not repairable, and it should be replaced when it is worn or damaged. Store the extraction tool in a clean, dry place and clean the extraction tool with a soft, lint-free cloth.

Additional tools can be purchased from:

CUSTOMER SERVICE (38-35)  
AMP INCORPORATED  
P.O. BOX 3608  
HARRISBURG, PA 17105-3608

## X-ON Electronics

Largest Supplier of Electrical and Electronic Components

*Click to view similar products for [Extraction, Removal & Insertion Tools](#) category:*

*Click to view products by [TE Connectivity](#) manufacturer:*

Other Similar products are found below :

[M8196914-08](#) [768211-2](#) [809-131](#) [844751-2](#) [8-59558-2](#) [91018-1](#) [12014013](#) [12093647](#) [1-21048-0](#) [R282867020](#) [12093078](#) [1-21048-6](#)  
[12121897](#) [DCF.91.405.5LT](#) [1322](#) [15314260](#) [15350698](#) [15350707](#) [15430130](#) [1579018-4](#) [1643916-1](#) [1-679532-0](#) [1976593-3](#) [OUTEXT-0321](#)  
[2-1579008-3](#) [2-1579008-4](#) [229694-7](#) [231106-1](#) [241469](#) [91040-3](#) [91040-7](#) [965004-000](#) [965069-000](#) [1738219-1](#) [ET-JL05-16](#) [FG 0300 146](#)  
[3000](#) [FIT-6](#) [210S048](#) [2-1579007-9](#) [231879-1](#) [312138-3](#) [RJ11FODE](#) [356-162](#) [M8196914-10](#) [4-1579018-0](#) [430395-001](#) [483249-1](#) [5-](#)  
[1579007-2](#) [5-1579007-9](#) [BPR10](#)