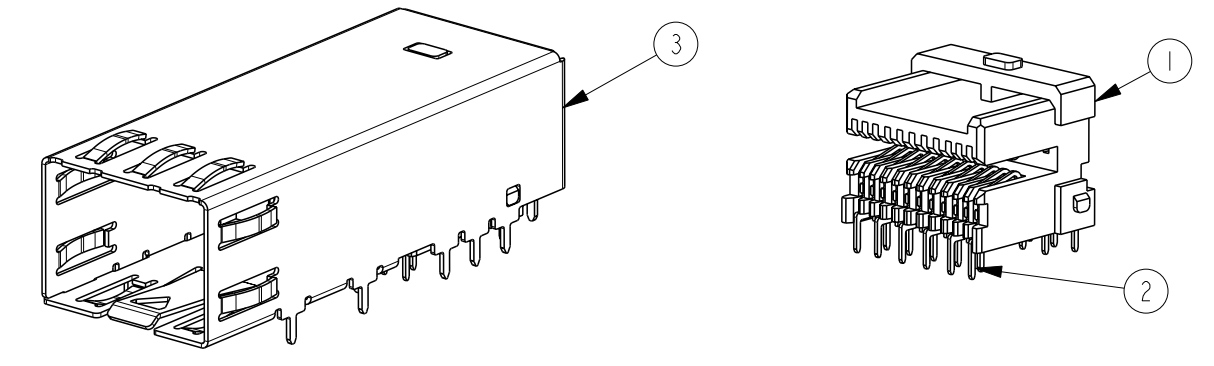
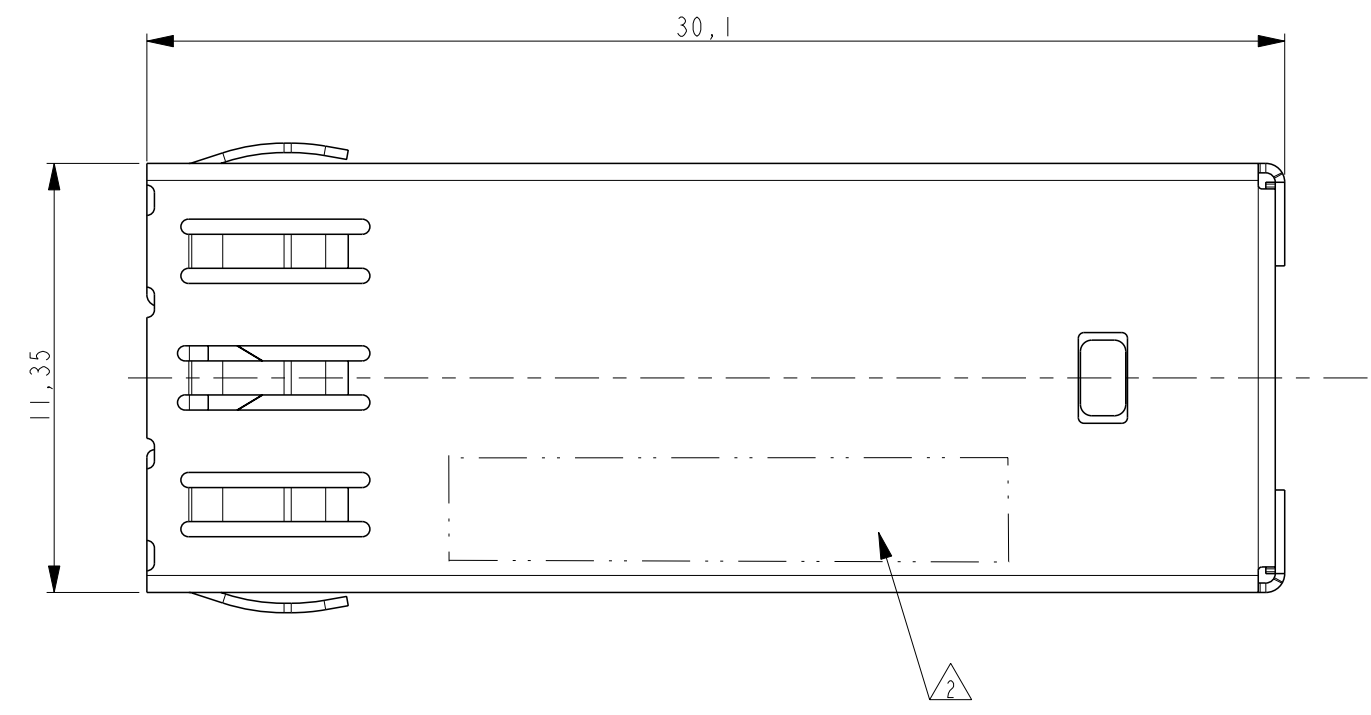
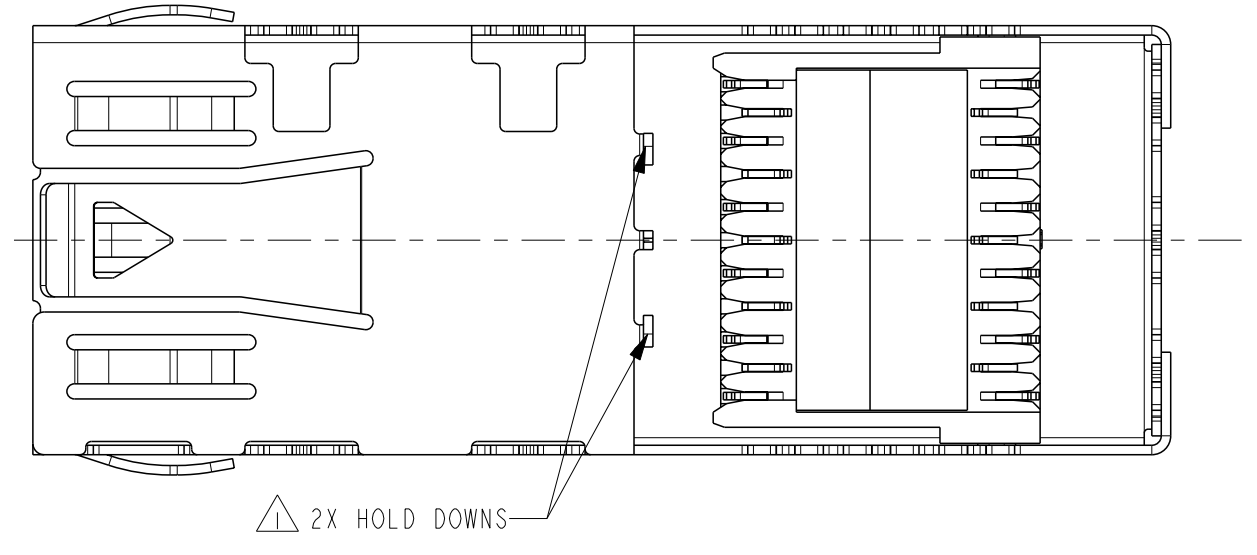
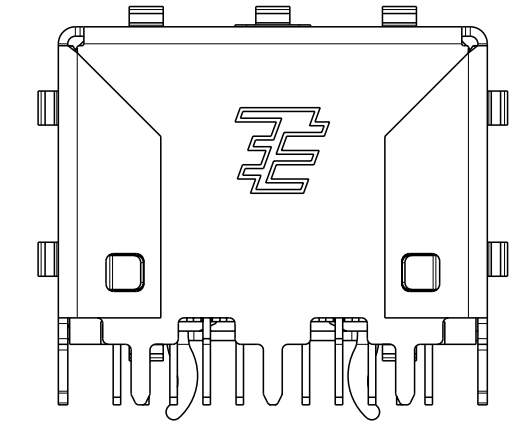
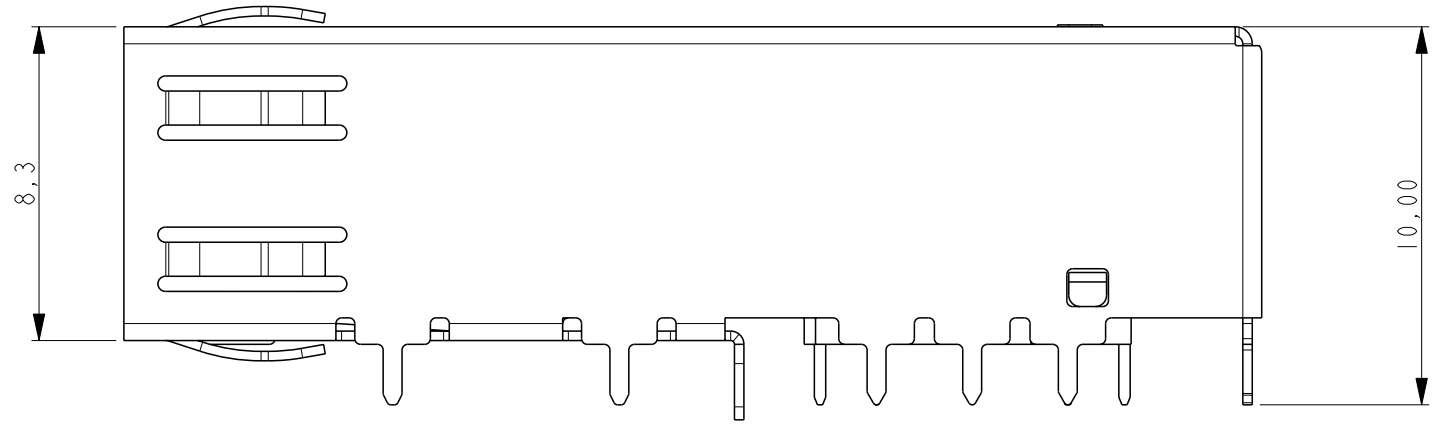
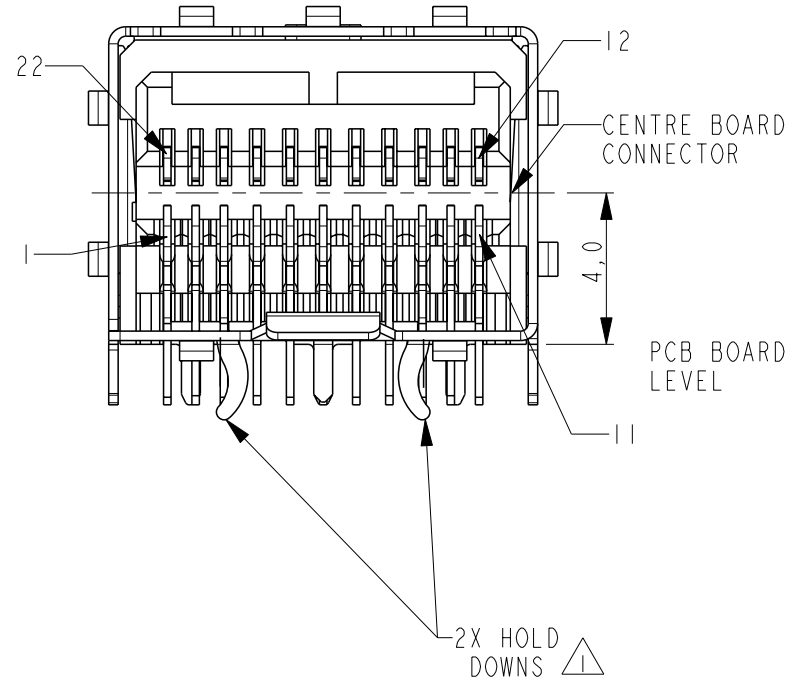


THIS DRAWING IS UNPUBLISHED. RELEASED FOR PUBLICATION  
 © COPYRIGHT - Tyco Electronics AMP GmbH ALL RIGHTS RESERVED.

LOC	DIST	REVISIONS			
P	LTR	DESCRIPTION	DATE	DWN	APVD
A		RELEASED	11 FEB 2013	JS	GV
AI		ECR-13-005995	9 APR 2013	JS	GV



SCALE 5:2



NOTES:

- △ HOLD DOWNS SUITABLE FOR A PCB THICKNESS RANGE OF 1,6 THRU 3,0 MM
- △ PRINTING PART NUMBER AND DATE CODE:  
2246040-x  
YYWW

ITEM	QUANT	DESCRIPTION	MATERIAL	FINISHING
3	1	SHIELD	COPPER ALLOY	PRE-PLATED: 3,0-6,0 µm BRIGHT Sn (REFLOWED)
2	22	CONTACTS FEMALE CONNECTOR	COPPER ALLOY	SELECTIVE 0,8-1,2 µm Au IN CONTACT AREA 3,0-5,0 µm DULL Sn IN SOLDER AREA OVER 1,25-2,5 µm Ni UNDERLAYER
1	1	HOUSING REC CONNECTOR	LCP GF UL94V-0	NA

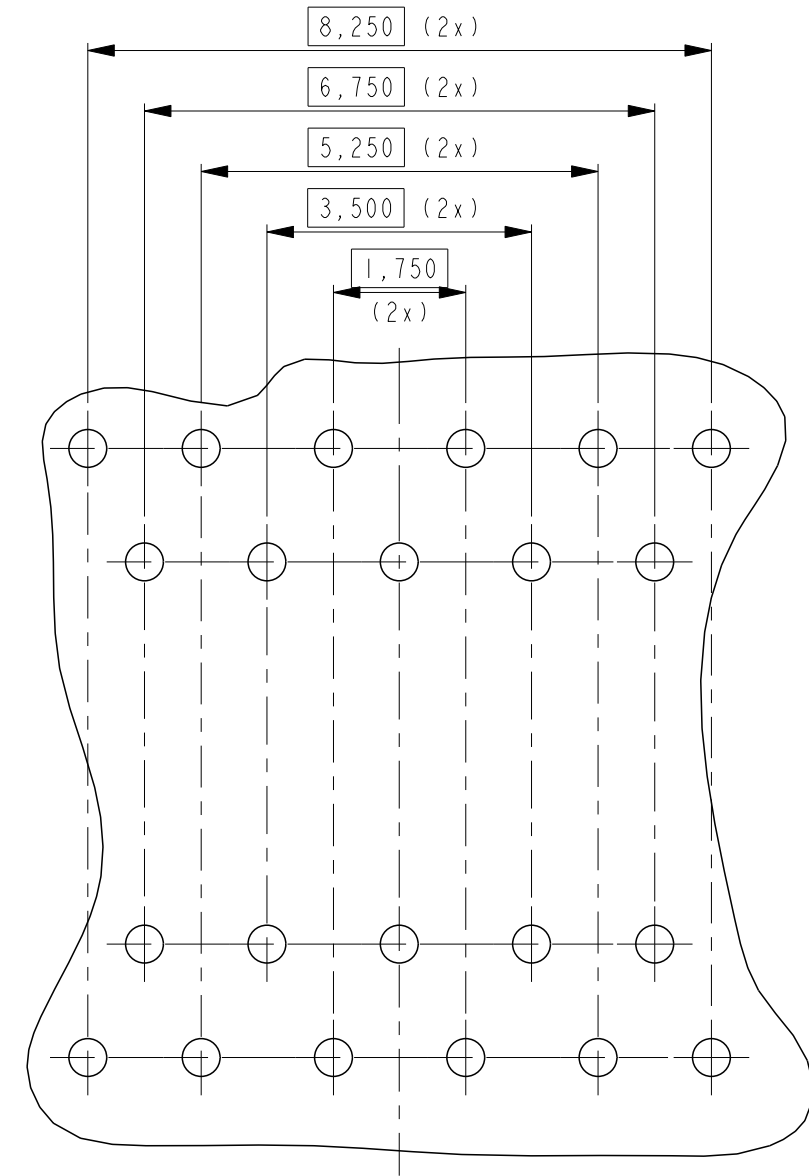
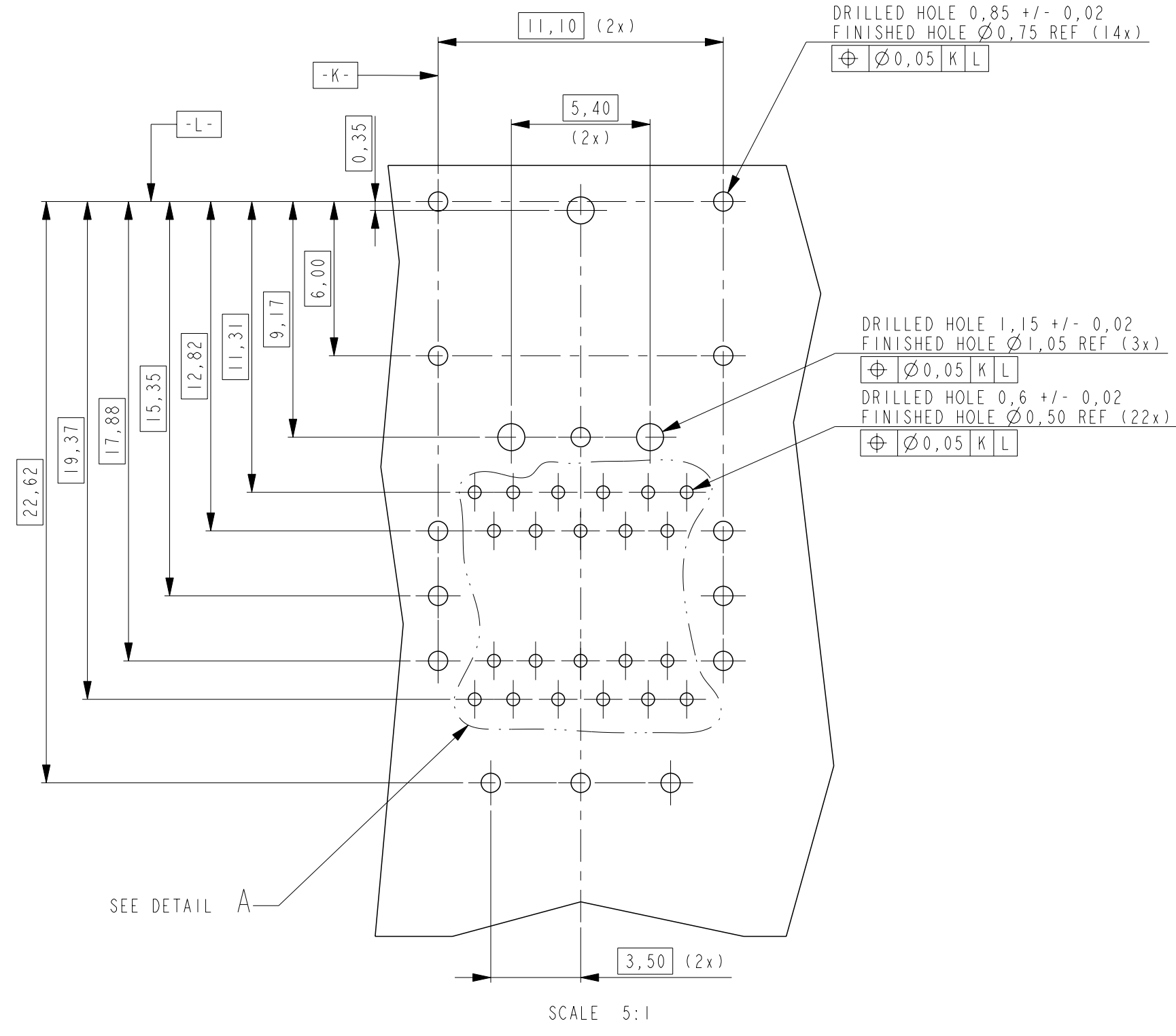
THIS DRAWING IS A CONTROLLED DOCUMENT.

DWN	J. vd Heijden	11 FEB 2013	 TE Connectivity
CHK	J. Smits	11 FEB 2013	
APVD	G. Verduijn	11 FEB 2013	
PRODUCT SPEC	108-19467		
APPLICATION SPEC	114-19151		NAME: mini SFP Board Connector SIZE: A2 CAGE CODE: 00779 DRAWING NO: C-2246040 RESTRICTED TO: - SCALE: 2:1 SHEET: 1 OF 2 REV: AI

Customer Drawing

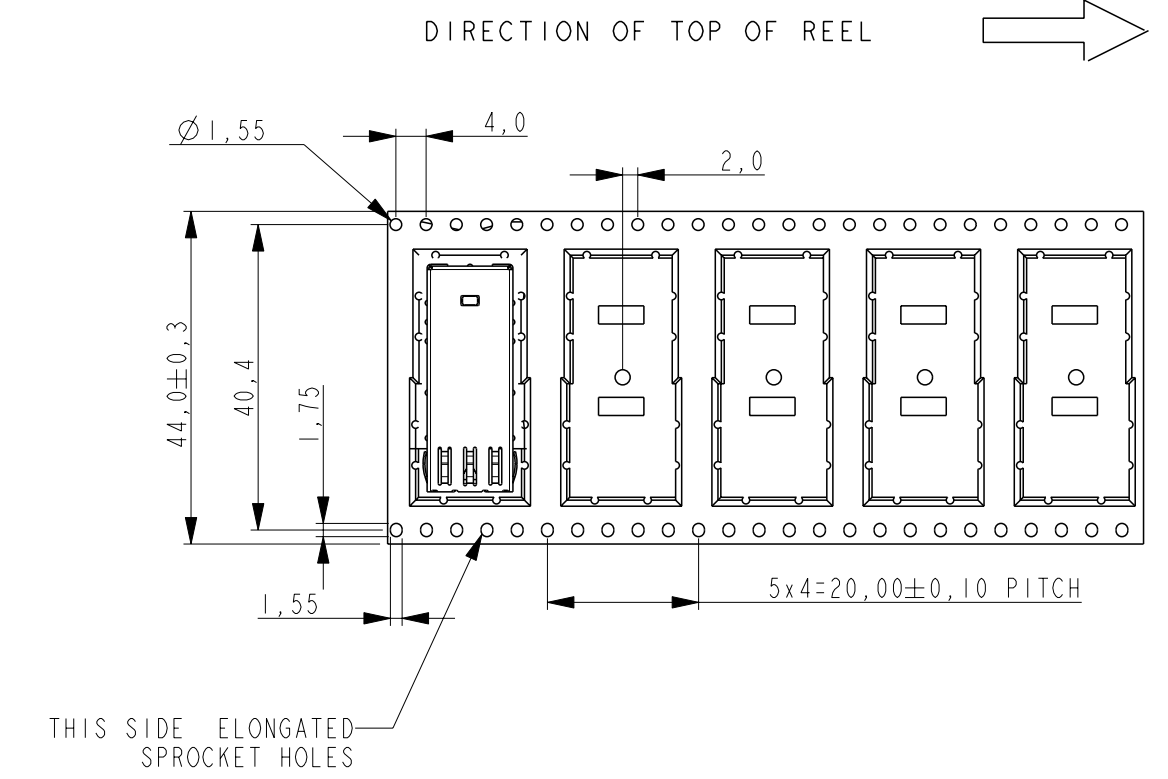
THIS DRAWING IS UNPUBLISHED. RELEASED FOR PUBLICATION  
 © COPYRIGHT - Tyco Electronics AMP GmbH ALL RIGHTS RESERVED.

LOC		DIST		REVISIONS			
P	LTR	DESCRIPTION	DATE	DWN	APVD		
-	-	SEE SHEET 1	-	-	-		



DETAIL A  
SCALE 10:1

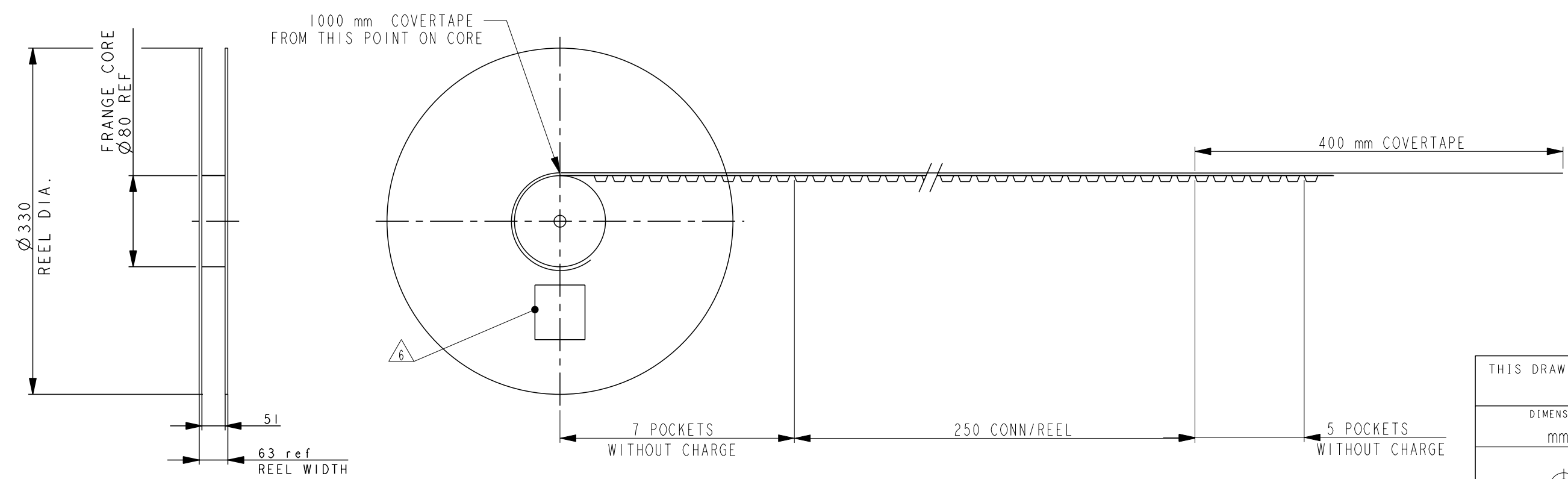
RECOMMENDED BOARD-LAYOUT



NOTES:

- MATERIAL: BLACK POLYSTYRENE ALLOY.
- 10 SPROCKET HOLES PITCH CUMULATIVE TOLERANCE +/-0,20.
- CARRIER CAMBER IS WITHIN 1 mm IN 250 mm.
- ALL DIMENSIONS MEET EIA-481-C REQUIREMENTS.
- THICKNESS: 0,50±0,05mm.

Product No	(21P) R-state
TE P/N 2246040-1	R-7
(Bar Code)	(Bar Code)
Product Description:	(4L) Made in India
HSIO Board Connector	(Bar Code)
Manufacturing week	(Q)Quantity
YYWW	XXX
	(Bar Code)



THIS DRAWING IS A CONTROLLED DOCUMENT.		DWN	11 FEB 2013	TE Connectivity	
DIMENSIONS: mm		CHK	J. vd Heijden		
TOLERANCES UNLESS OTHERWISE SPECIFIED:		APVD	11 FEB 2013	NAME mini SFP Board Connector	
0 PLC ±0,2		PRODUCT SPEC	J. Smits		
1 PLC ±0,1		APPLICATION SPEC	G. Verduijn	SIZE CAGE CODE DRAWING NO A2 00779 C-2246040	
2 PLC ±0,1		WEIGHT	114-19151	RESTRICTED TO	
3 PLC ±0,1				-	
4 PLC ±0,1				-	
ANGLES ±2				-	
FINISH				-	
MATERIAL		Customer Drawing		SCALE 2:1 SHEET 2 OF 2 REV A1	

## X-ON Electronics

Largest Supplier of Electrical and Electronic Components

*Click to view similar products for [I/O Connectors](#) category:*

*Click to view products by [TE Connectivity](#) manufacturer:*

Other Similar products are found below :

[571763P](#) [72.250.1628.2](#) [72.250.2428.2](#) [74720-0505](#) [76.350.0729.0](#) [76871-1403](#) [FCN-244F080-G/1](#) [FCN-260A9920](#) [MP-5T180MUNNA-005](#)  
[PCR-E36PM](#) [PCS-XE26MA+](#) [G38A71314B](#) [1571250010](#) [157-22500-3](#) [MS3471L14-19P L/C](#) [91-569786-35H](#) [172501-4002](#) [172501-6002](#)  
[FCN-260C008-A/L0](#) [FCN-260C024-AL0](#) [FCN-261Z008](#) [2000314-1](#) [200331-1](#) [PCR-E36FC+](#) [PCS-E28FS+](#) [PCS-XE26SLFD+](#) [PCS-](#)  
[XE26SLFDT+](#) [G730VID08BDC24](#) [U90B2054081210](#) [UE86K842720321](#) [38113800006](#) [DP3AR020WQ1R200](#) [Z4.102.0680.0](#) [500-1040](#)  
[500-1052](#) [500-1054](#) [ZP-4008-66L](#) [0709821002](#) [10-565995-597N](#) [DX40-20P\(55\)](#) [5554841-1](#) [MS3474W18-8P-LC\\*](#) [U90B3054061110](#) [U65-](#)  
[E04-4020](#) [ZPF000000000097891](#) [557-262M2-06C](#) [747360449](#) [10099439-003C-TRLF](#) [10137239-0021LF](#) [E9320-001-01](#)