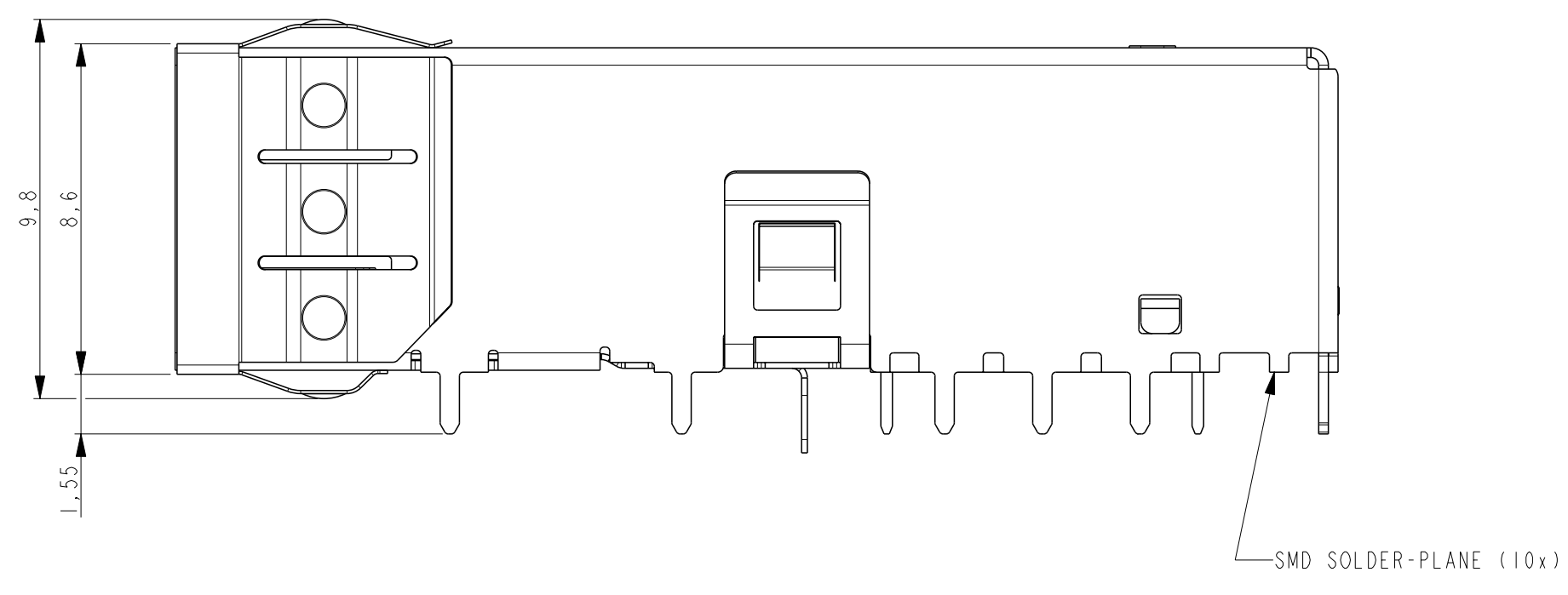
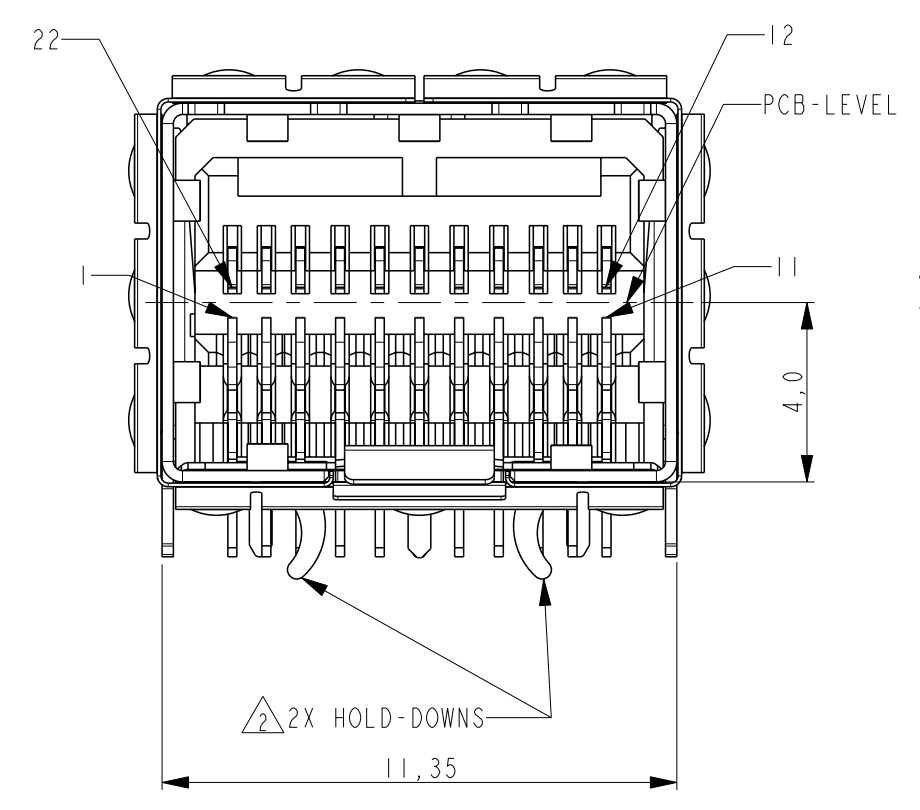
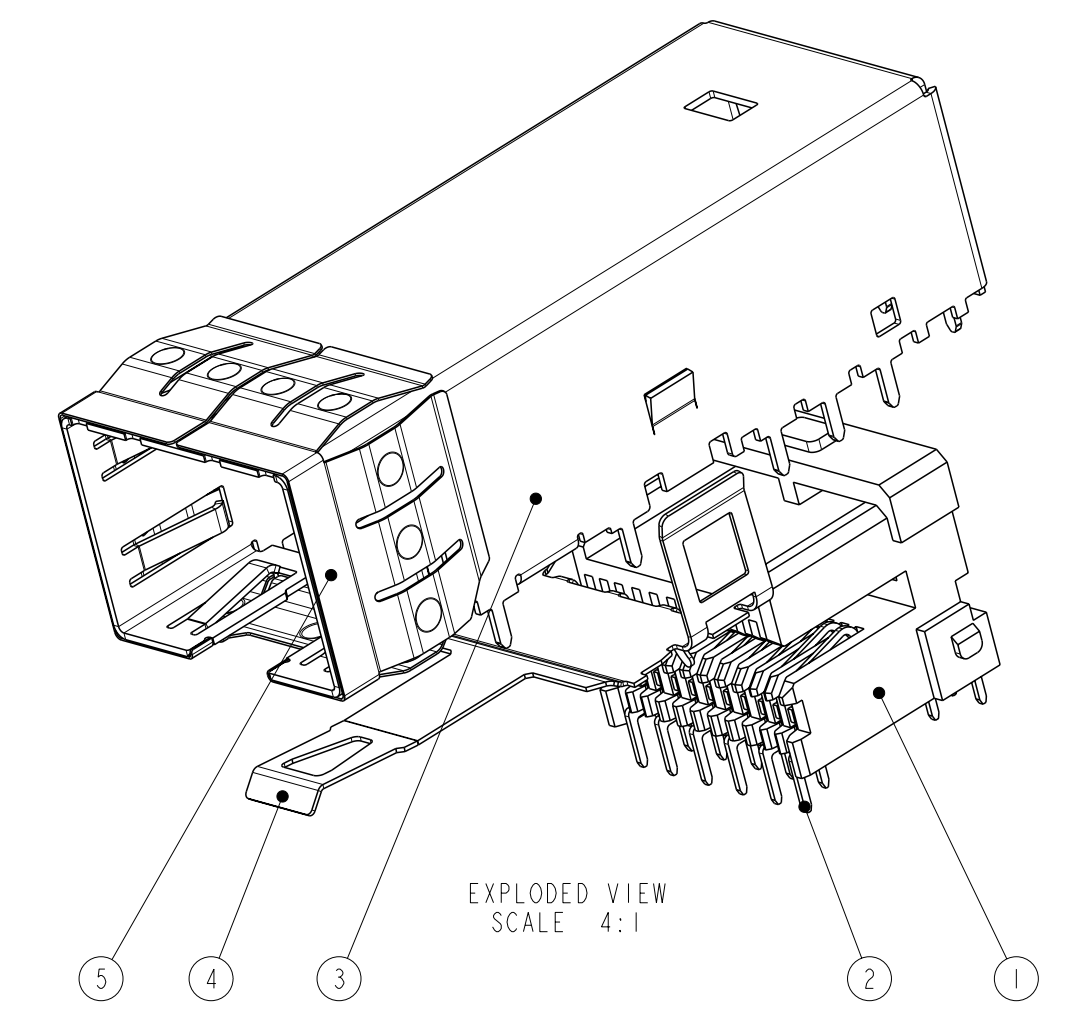
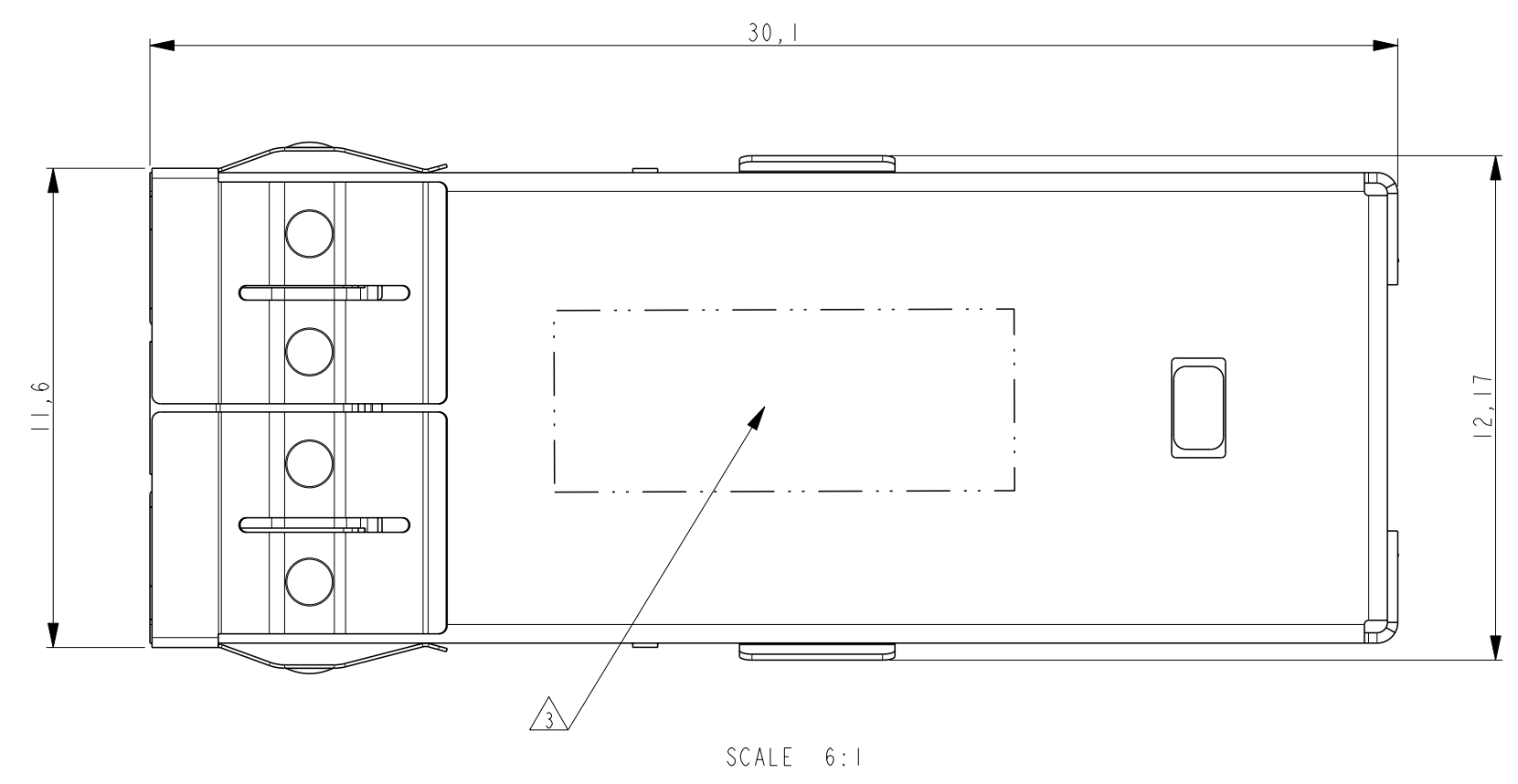


THIS DRAWING IS UNPUBLISHED. RELEASED FOR PUBLICATION  
 © COPYRIGHT - Tyco Electronics AMP GmbH ALL RIGHTS RESERVED.

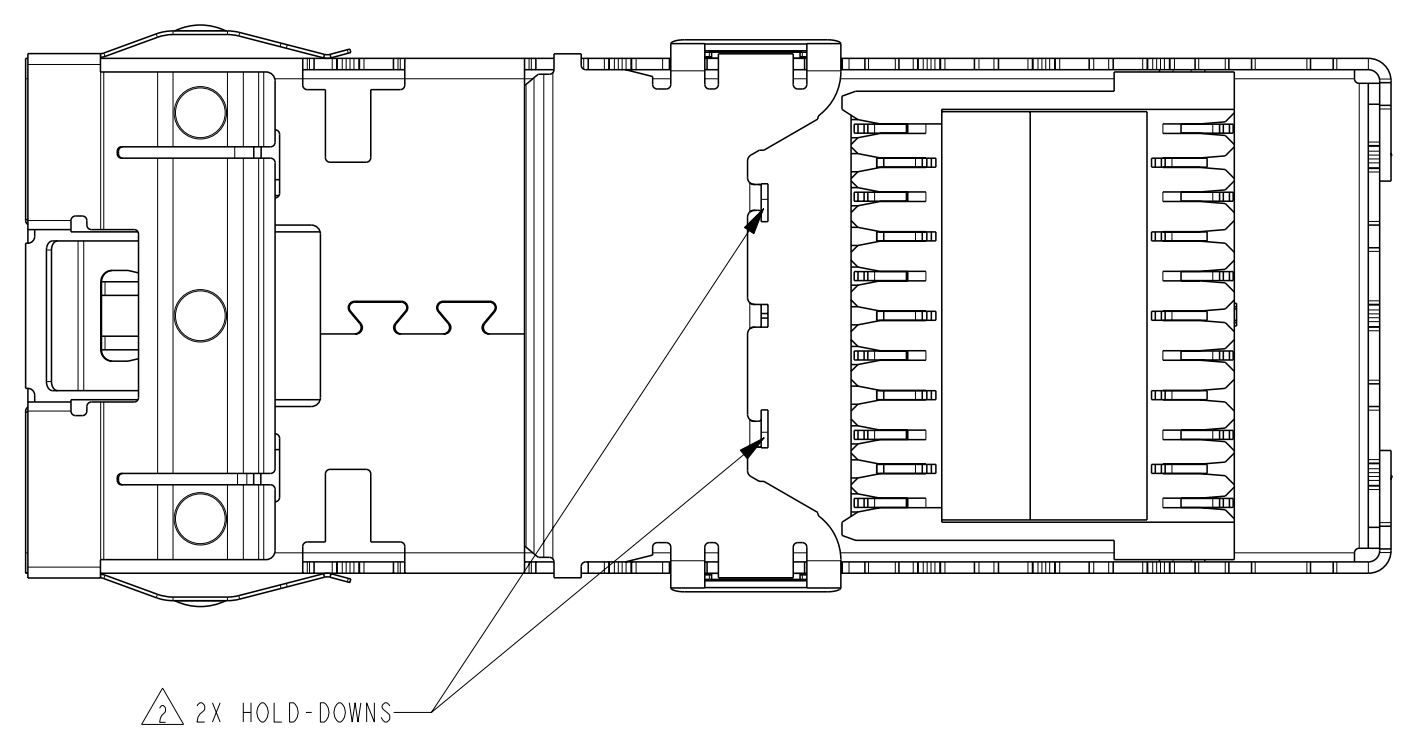
LOC	DIST	REVISIONS					
H	-	P	LTR	DESCRIPTION	DATE	DWN	APVD
		A		RELEASED	11 FEB 2013	JS	GV
		AI		ECR-13-005995	30 APR 2013	JS	GV



NOTES:

- △ CARRIER TAPE  
MATERIAL: BLACK POLYSTYRENE ALLOY  
10 SPROCKET HOLES PITCH CUMULATIVE TOLERANCE +/-0,20  
CARRIER CAMBER IS WITHIN 1 mm IN 250 mm  
ALL DIMENSIONS MEET EIA-481-C REQUIREMENTS  
THICKNESS: 0,50±0,05mm
- △ HOLD DOWNS SUITABLE FOR A PCB THICKNESS RANGE OF 1,6 THRU 3,0 MM
- △ PRINTING PART NUMBER AND DATE CODE:  
2246041-X  
YYWW

Product No	(21P) R-state
TE P/N 2246041-1	R-7
(Bar Code)	(Bar Code)
Product Description:	(4L) Made in India
HSIO Board Connector	(Bar Code)
Manufacturing week	(0)Quantity
YYWW	XXX
	(Bar Code)



ITEM	QUANT	DESCRIPTION	MATERIAL	FINISHING
5	1	EMI-SKIRT	COPPER ALLOY	SELECTIVE 3,0 µm min. Sn OVER 1,27 - 5,0 µm Ni UNDERLAYER
4	1	LATCHPLATE	STAINLESS STEEL	SELECTIVE 2,0 µm min. Sn IN SOLDER-AREA OVER 0,8 - 1,3 µm Ni UNDERLAYER
3	1	SHIELD SUB-ASSEMBLY	COPPER ALLOY	PRE-PLATED: 3,0-6,0 µm BRIGHT Sn (REFLOWED)
2	22	CONTACTS FEMALE CONNECTOR	COPPER ALLOY	SELECTIVE 0,8-1,2 µm Au IN CONTACT AREA 3,0-5,0 µm DULL Sn IN SOLDER AREA OVER 1,25-2,5 µm Ni UNDERLAYER
1	1	HOUSING REC CONNECTOR	LCP GF UL94V-0	NA

THIS DRAWING IS A CONTROLLED DOCUMENT.

DWN: J. vd Heijden 11 FEB 2013  
 CHK: J. Smits 11 FEB 2013  
 APVD: G. Verduijn 11 FEB 2013

TE Connectivity

NAME: MINI SFP BOARDCONNECTOR 22 POS

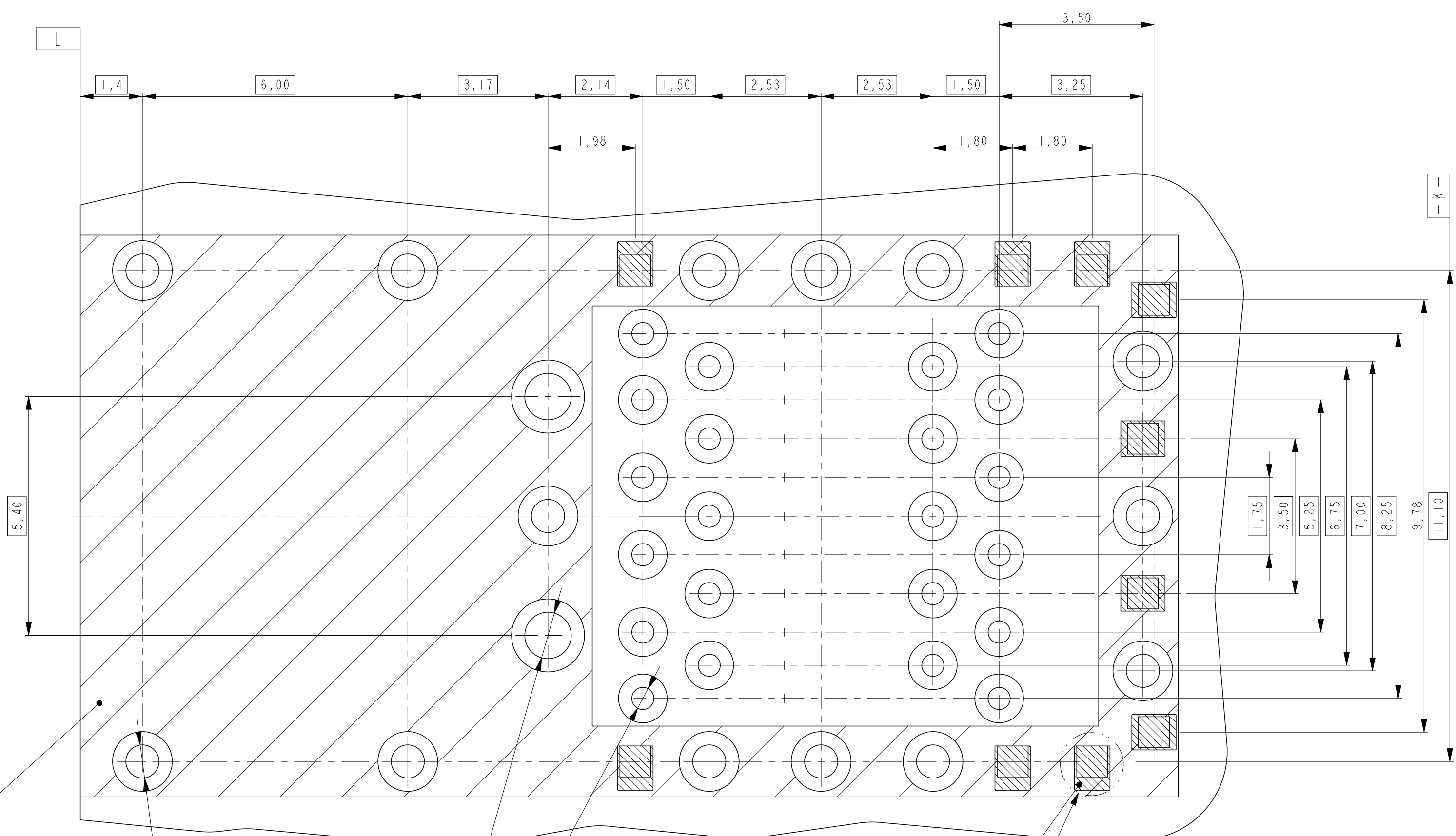
SIZE: A2 CAGE CODE: 00779 DRAWING NO: C-2246041 RESTRICTED TO: -

SCALE: 1:1 SHEET: 1 OF 3 REV: AI

Customer Drawing

THIS DRAWING IS UNPUBLISHED. RELEASED FOR PUBLICATION  
 © COPYRIGHT - Tyco Electronics AMP GmbH ALL RIGHTS RESERVED.

LOC	DIST	REVISIONS					
H	-	P	LTR	DESCRIPTION	DATE	DWN	APVD
		-		SEE SHEET 1	-	-	-



CROSS-HATCHED AREA  
 (COURSE CROSS-HATCHING)  
 DENOTES COMPONENT AND  
 TRACE KEEP-OUT  
 (EXCEPT CHASSIS GROUND)

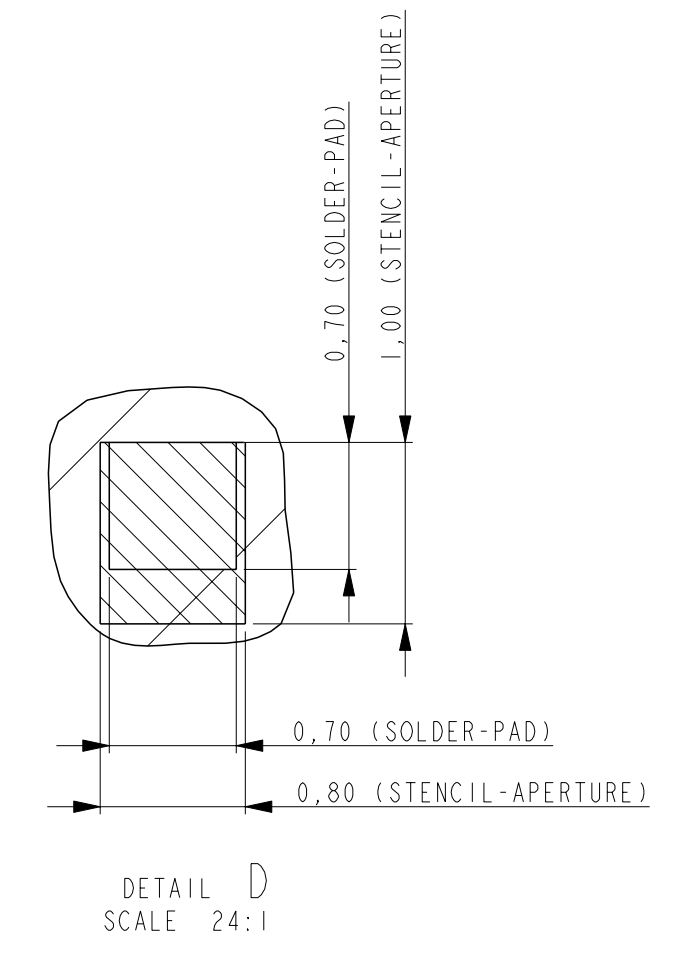
DRILLED HOLE 0,85 +/- 0,02  
 FINISHED HOLE  $\varnothing$ 0,75 REF (14x)  
 $\varnothing$  0,05 K L

DRILLED HOLE 1,15 +/- 0,02  
 FINISHED HOLE  $\varnothing$ 1,05 REF (2x)  
 $\varnothing$  0,05 K L

DRILLED HOLE 0,6 +/- 0,02  
 FINISHED HOLE  $\varnothing$ 0,50 REF (22x)  
 $\varnothing$  0,05 K L

RECOMMENDED BOARD-LAYOUT  
 (COMPONENT SIDE)  
 SCALE 12:1

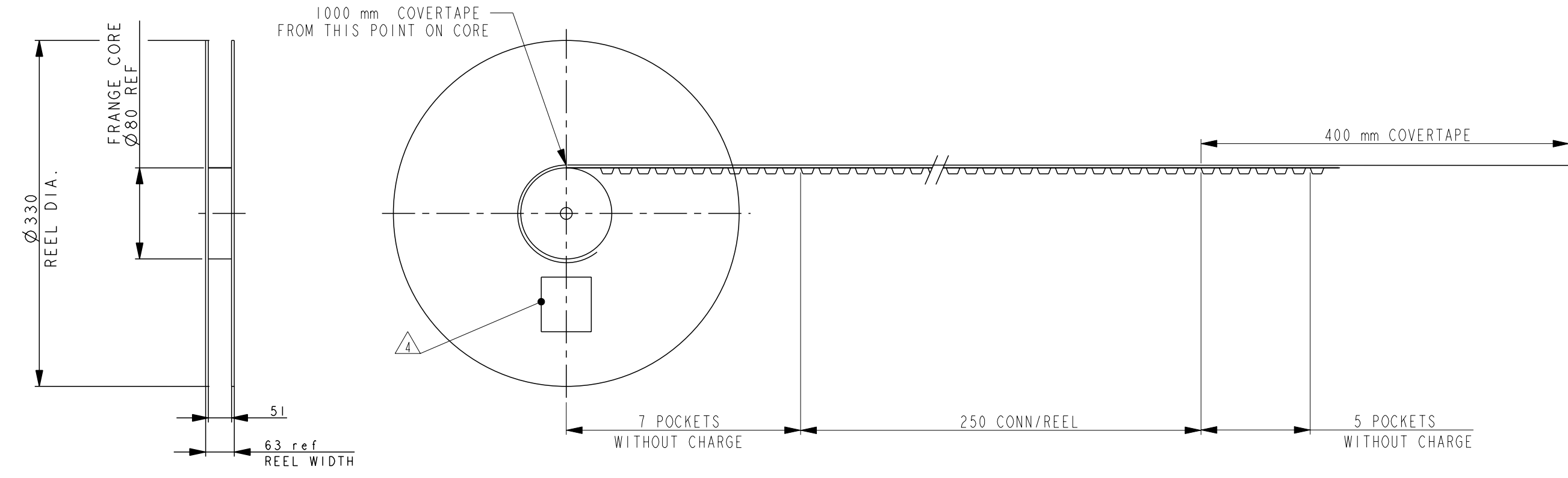
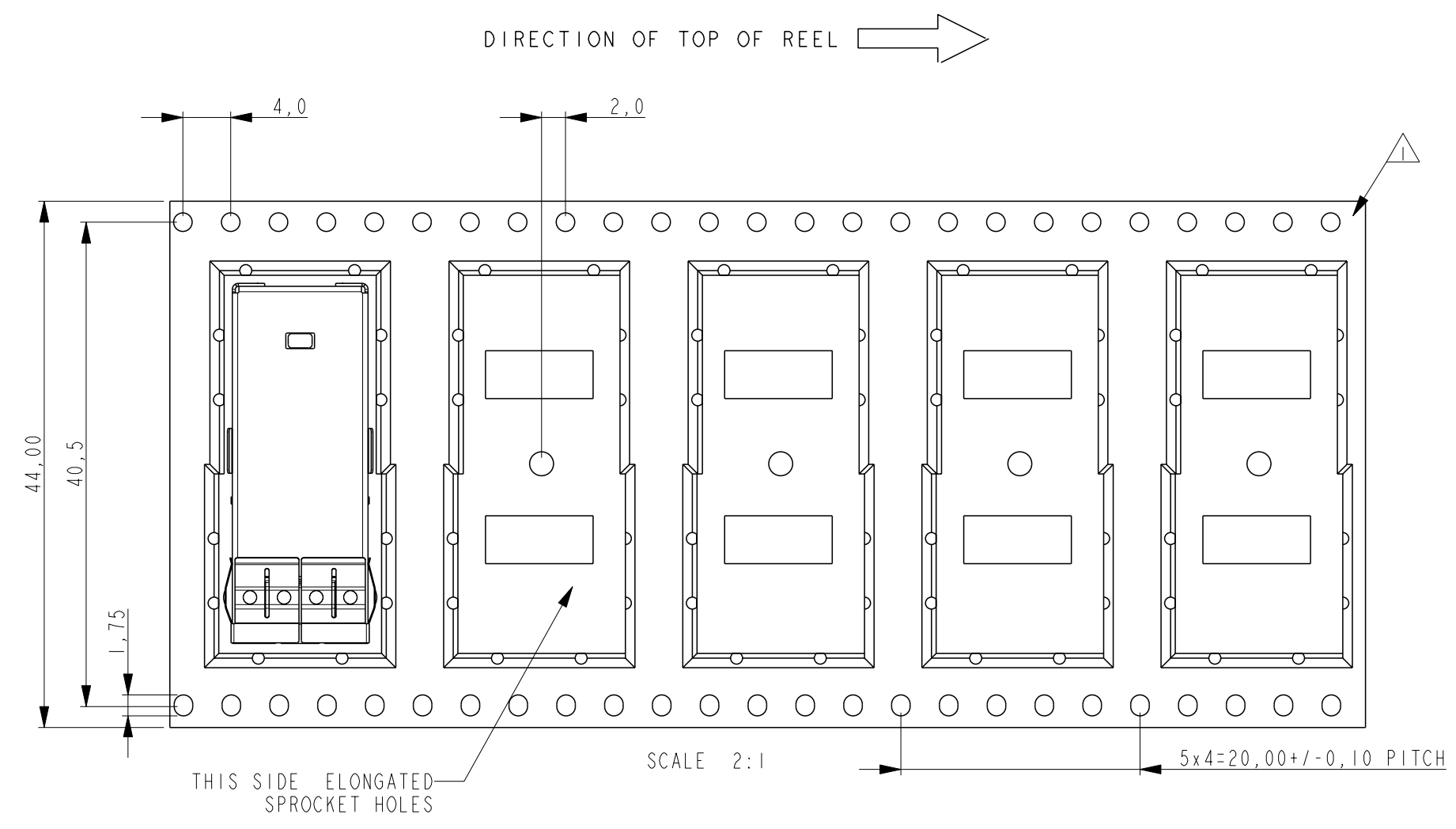
STENCIL (10x)  
 SEE DETAIL D



THIS DRAWING IS A CONTROLLED DOCUMENT.		DWN J. vd Heijden 11 FEB 2013	TE Connectivity	
DIMENSIONS: mm		CHK J. Smits 11 FEB 2013		
TOLERANCES UNLESS OTHERWISE SPECIFIED:		APVD G. Verduijn 11 FEB 2013	NAME MINI SFP BOARDCONNECTOR 22 POS	
0 PLC ±0,1 1 PLC ±0,1 2 PLC ±0,1 3 PLC ±0,1 4 PLC ± ANGLES ± FINISH ±		PRODUCT SPEC 108-19467	SIZE A2	
MATERIAL SEE TABLE		APPLICATION SPEC 114-19151	CAGE CODE 00779	DRAWING NO C-2246041
		WEIGHT -	RESTRICTED TO -	
		Customer Drawing		SCALE 3:1 SHEET 2 OF 3 REV A1

THIS DRAWING IS UNPUBLISHED. RELEASED FOR PUBLICATION  
 © COPYRIGHT - Tyco Electronics AMP GmbH ALL RIGHTS RESERVED.

LOC	DIST	REVISIONS					
H	-	P	LTR	DESCRIPTION	DATE	DWN	APVD
		-		SEE SHEET 1	-	-	-



THIS DRAWING IS A CONTROLLED DOCUMENT.		DWN J. vd Heijden 11 FEB 2013	TE Connectivity	
DIMENSIONS: mm		CHK J. Smits 11 FEB 2013		
TOLERANCES UNLESS OTHERWISE SPECIFIED:		APVD G. Verduijn 11 FEB 2013	NAME MINI SFP BOARDCONNECTOR 22 POS	
		PRODUCT SPEC 108-19467	SIZE -	
MATERIAL SEE TABLE		APPLICATION SPEC 114-19151	CAGE CODE A200779	DRAWING NO C-2246041
FINISH SEE TABLE		WEIGHT -	RESTRICTED TO -	
		Customer Drawing		SCALE 1:1 SHEET 3 OF 3 REV A1

## X-ON Electronics

Largest Supplier of Electrical and Electronic Components

*Click to view similar products for [I/O Connectors](#) category:*

*Click to view products by [TE Connectivity](#) manufacturer:*

Other Similar products are found below :

[571763P](#) [58098-0628](#) [72.250.1628.2](#) [72.250.2428.2](#) [74720-0505](#) [76.350.0729.0](#) [76871-1403](#) [FCN-244F080-G/1](#) [FCN-260A9920](#) [PCR-E36PM](#) [PCS-XE26MA+](#) [G38A71314B](#) [1571250010](#) [157-22500-3](#) [MS3471L14-19P L/C](#) [172501-4002](#) [172501-6002](#) [FCN-260C008-A/L0](#) [FCN-260C024-AL0](#) [FCN-261Z008](#) [2000314-1](#) [200331-1](#) [PCR-E36FC+](#) [PCS-E28FS+](#) [PCS-XE26SLFD+](#) [PCS-XE26SLFDT+](#) [G730VID08BDC24](#) [U90B2054081210](#) [38113800006](#) [DP3AR020WQ1R200](#) [Z4.102.0680.0](#) [500-1040](#) [500-1052](#) [500-1054](#) [ZP-4008-66L](#) [0709821002](#) [DX40-20P\(55\)](#) [5554841-1](#) [MS3474W18-8P-LC\\*](#) [U90B3054061110](#) [U65-E04-4020](#) [ZPF000000000097891](#) [747360449](#) [10099439-003C-TRLF](#) [10137239-0021LF](#) [E9320-001-01](#) [10137239-0011LF](#) [70289-001LF](#) [70.060.1028.0](#) [109029-ZZ](#)