

THIS DRAWING IS UNPUBLISHED.

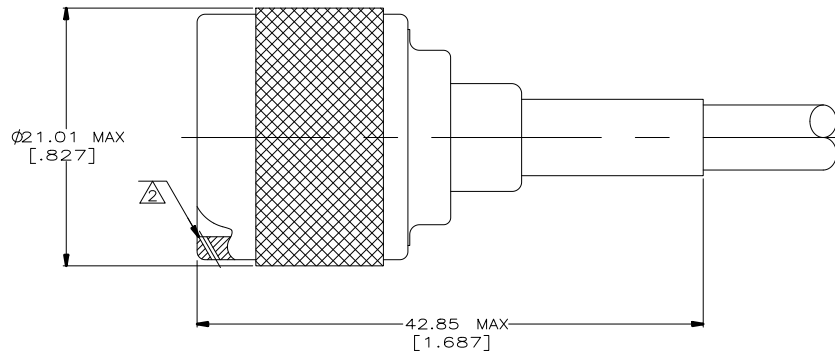
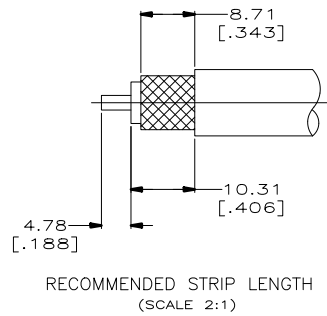
RELEASED FOR PUBLICATION

ALL RIGHTS RESERVED.

© COPYRIGHT - TE Connectivity Ltd.

REVISIONS

P	LTR	DESCRIPTION	DATE	DWN	APVD
	F2	REVISED PER ECO-20-002610	25FEB2020	RZ	RS



<del>△</del> OBSOLETE	RG-142/U,142A/U & 142B/U	225382-3	225343-4	225342-3	225361-7
<del>△</del> OBSOLETE	RG-142/U,142A/U & 142B/U	225382-3	225343-4	225342-3	225361-6
SUPERSEDED BY 5225361-4	RG-142/U,142A/U & 142B/U	225382-2	225343-4	225342-1	225361-4
	RG-55A/U & 223/U	225382-2	225343-2	225342-1	225361-2
	RG-58A/U & 58C/U	225381-2	225343-2	225342-1	225361-1
	CABLE SIZE	③ FERRULE QTY=1	② CONTACT QTY=1	① PLUG ASSY QTY=1	PART NUMBER

1. PARTS PACKAGED UNASSEMBLED.

△ THREE SAFETY WIRE HOLES Ø0.61 [.024] MIN, EQUALLY SPACED AROUND CIRCUMFERENCE.

3. CRIMP TOOL: 220045-2

4. SEE I.S. 2028-1

△ BULK PACKAGED VERSION OF 225361-6

THIS DRAWING IS A CONTROLLED DOCUMENT.

DIMENSIONS:	TOLERANCES UNLESS OTHERWISE SPECIFIED:
mm	
0 PLC	± -
1 PLC	± -
2 PLC	± 0.41 [.016]
3 PLC	± -
4 PLC	± -
ANGLES	± -
MATERIAL	FINISH
-	-

DWN	B. SCOTT	06-06-91
CHK	B. MOYER	1-3-92
APVD	-	-
PRODUCT SPEC	-	-
APPLICATION SPEC	-	-
WEIGHT	0.000000	A3
CUSTOMER DRAWING		00779

			TE Connectivity		
NAME					
PLUG, SERIES N					
-					
-					
SIZE	CAGE CODE	DRAWING NO	RESTRICTED TO		
		©=225361	-		
SCALE		SHEET		REV	
4:1		1 of 1		F2	

## X-ON Electronics

Largest Supplier of Electrical and Electronic Components

*Click to view similar products for [RF Connectors / Coaxial Connectors](#) category:*

*Click to view products by [TE Connectivity](#) manufacturer:*

Other Similar products are found below :

[R125315120](#) [8915-1511-000](#) [89674-0827](#) [5916-1103-603](#) [6-0001-3](#) [6001-7071-019](#) [6002-7051-003](#) [6002-7551-202](#) [6059674-1](#) [619550-1](#)  
[630059-000](#) [M39012/25-0021](#) [M39012/79-3008](#) [M39030/3-01N](#) [M39030/3-03N](#) [M3933/25-36N](#) [6500-7071-046](#) [M83723/72W24576](#)  
[M83723/72W2457N](#) [6769](#) [CX050L2AQ](#) [7002-1541-010](#) [7002-1572-002](#) [7003-1572-002](#) [7010-1511-000](#) [7029-1511-060](#) [7101-1541-010](#)  
[7101-1571-002](#) [7105-1521-002](#) [7145-1521-002](#) [7209-1511-011](#) [7210-1511-015](#) [7210-1511-019](#) [7225-1512-050](#) [7242-1511-000](#) [73137-5015](#)  
[73251-0111](#) [73251-0672](#) [7325-1512-000](#) [73276-1501](#) [73366-0013](#) [73404-2300](#) [73413-6080](#) [73415-5721](#) [7405-1521-005](#) [7405-1521-802](#)  
[7406-1521-005](#) [804S01D04M040](#) [8145-1521-002](#) [81590](#)