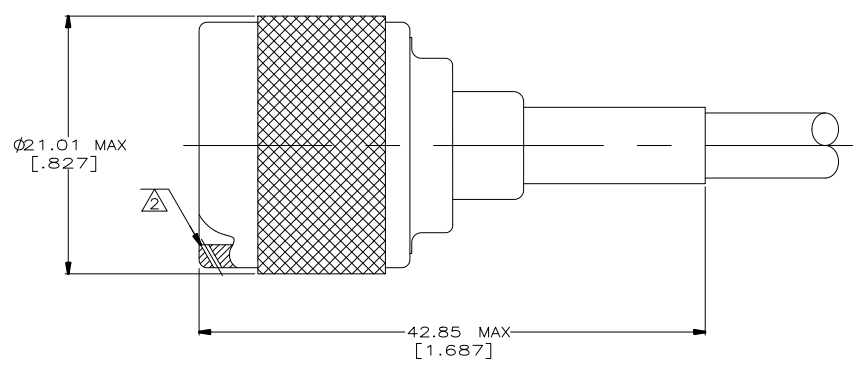
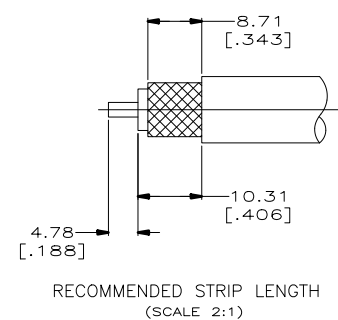


THIS DRAWING IS UNPUBLISHED. RELEASED FOR PUBLICATION
 © COPYRIGHT - TE Connectivity Ltd. ALL RIGHTS RESERVED.

REVISIONS					
P	LTR	DESCRIPTION	DATE	DWN	APVD
	F2	REVISED PER ECO-20-002610	25FEB2020	RZ	RS



OBSELETE	RG-142/U,142A/U & 142B/U	225382-3	225343-4	225342-3	225361-7
OBSELETE	RG-142/U,142A/U & 142B/U	225382-3	225343-4	225342-3	225361-6
SUPERSEDED BY 5225361-4	RG-142/U,142A/U & 142B/U	225382-2	225343-4	225342-1	225361-4
	RG-55A/U & 223/U	225382-2	225343-2	225342-1	225361-2
	RG-58A/U & 58C/U	225381-2	225343-2	225342-1	225361-1
	CABLE SIZE	③ FERRULE QTY=1	② CONTACT QTY=1	① PLUG ASSY QTY=1	PART NUMBER

- PARTS PACKAGED UNASSEMBLED.
- THREE SAFETY WIRE HOLES Ø0.61 [.024] MIN, EQUALLY SPACED AROUND CIRCUMFERENCE.
- CRIMP TOOL: 220045-2
- SEE I.S. 2028-1
- BULK PACKAGED VERSION OF 225361-6

THIS DRAWING IS A CONTROLLED DOCUMENT.

DWN B. SCOTT 06-06-91	TE Connectivity PLUG, SERIES N
CHK B. MOYER 1-3-92	
APVD -	NAME
PRODUCT SPEC -	SIZE
APPLICATION SPEC -	CAGE CODE
WEIGHT 0.000000	DRAWING NO A3 00779
MATERIAL -	FINISH -
CUSTOMER DRAWING	
SCALE 4:1	SHEET 1 of 1
REV F2	RESTRICTED TO -

X-ON Electronics

Largest Supplier of Electrical and Electronic Components

Click to view similar products for [RF Connectors / Coaxial Connectors](#) *category:*

Click to view products by [TE Connectivity](#) *manufacturer:*

Other Similar products are found below :

[R125315120](#) [8915-1511-000](#) [89674-0827](#) [5916-1103-603](#) [6-0001-3](#) [6001-7071-019](#) [6002-7051-003](#) [6002-7551-202](#) [6059674-1](#) [619550-1](#)
[630059-000](#) [M39012/25-0021](#) [M39012/79-3008](#) [M39030/3-01N](#) [M39030/3-03N](#) [M3933/25-36N](#) [6500-7071-046](#) [M83723/72W24576](#)
[M83723/72W2457N](#) [6769](#) [CX050L2AQ](#) [7002-1541-010](#) [7002-1572-002](#) [7003-1572-002](#) [7010-1511-000](#) [7029-1511-060](#) [7101-1541-010](#)
[7101-1571-002](#) [7105-1521-002](#) [7145-1521-002](#) [7209-1511-011](#) [7210-1511-015](#) [7210-1511-019](#) [7225-1512-050](#) [7242-1511-000](#) [73137-5015](#)
[73251-0111](#) [73251-0672](#) [7325-1512-000](#) [73276-1501](#) [73366-0013](#) [73404-2300](#) [73413-6080](#) [73415-5721](#) [7405-1521-005](#) [7405-1521-802](#)
[7406-1521-005](#) [804S01D04M040](#) [8145-1521-002](#) [81590](#)