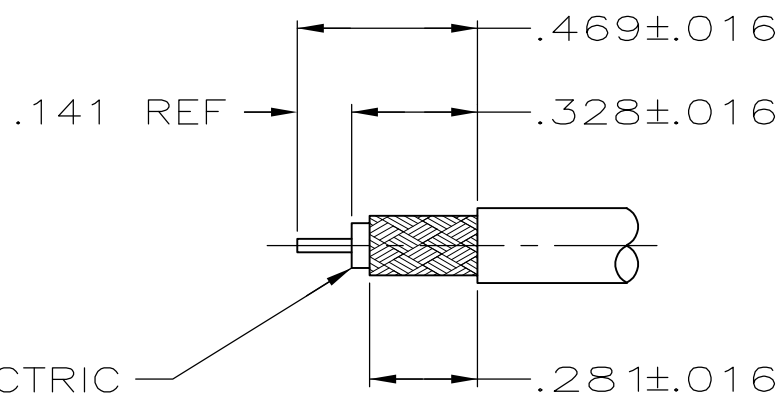
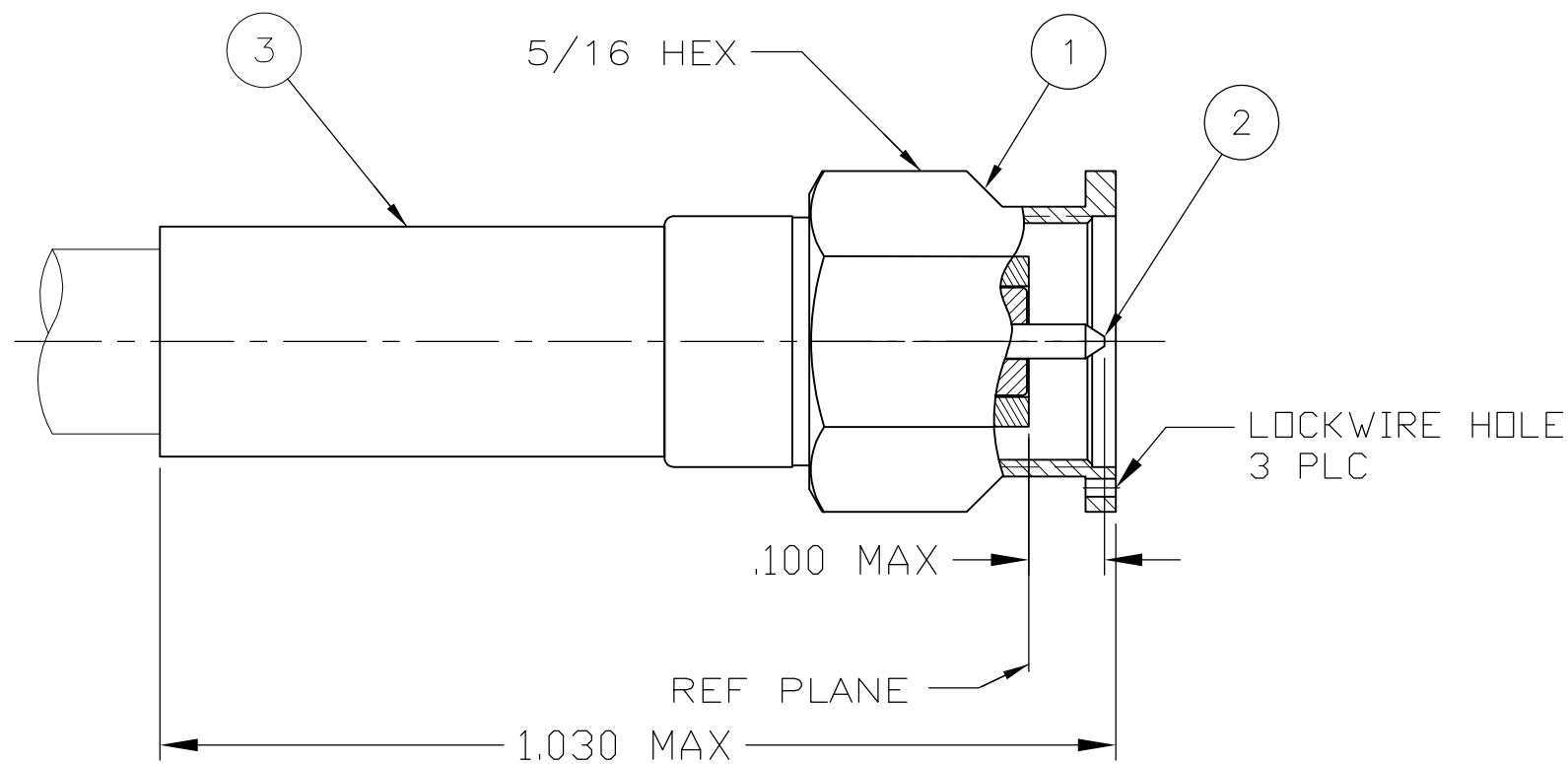


THIS DRAWING IS UNPUBLISHED. RELEASED FOR PUBLICATION  
 © COPYRIGHT BY TYCO ELECTRONICS CORPORATION. ALL INTERNATIONAL RIGHTS RESERVED.

LOC	DIST	REVISIONS					
		P	LTR	DESCRIPTION	DATE	DWN	APVD
—	—		G	REV PER ECO 11-002303	2-2-11	CT	DW

1. FOR USE WITH: RG-142/U, 142A/U & 142B/U CABLE
2. CRIMP WITH TOOL: 220061-1
3. SEE I.S. 2322
4. 00779 M39012/55B3022



CUT DIELECTRIC SQUARE

RECOMMENDED STRIP LENGTH  
SCALE: 2:1

QTY	PART NUMBER	DESCRIPTION	ITEM
1	225618-3	FERRULE	3
1	225540-2	CONTACT	2
1	225533-1	PLUG ASSEMBLY	1

THIS DRAWING IS A CONTROLLED DOCUMENT.		DWN L.A.MOSCOSO 8-17-88	Tyco Electronics Corporation Harrisburg, PA 17105-3608	
DIMENSIONS: INCHES		CHK M.SNEED 9-12-88	NAME PLUG, SERIES SMA	
TOLERANCES UNLESS OTHERWISE SPECIFIED:		APVD —	PRODUCT SPEC —	
0 PLC ± -		APPLICATION SPEC —	SIZE A3	CAGE CODE 00779
1 PLC ± -		WEIGHT .134 OZ	DRAWING NO G-225532-3	RESTRICTED TO —
2 PLC ± -		CUSTOMER DRAWING		
3 PLC ± -		SCALE 5:1	SHEET 1 OF 1	REV G
4 PLC ± -				
ANGLES ± -				
FINISH —				

## X-ON Electronics

Largest Supplier of Electrical and Electronic Components

*Click to view similar products for [RF Connectors / Coaxial Connectors](#) category:*

*Click to view products by [TE Connectivity](#) manufacturer:*

Other Similar products are found below :

[8915-1511-000](#) [89674-0827](#) [6001-7071-019](#) [6002-7051-003](#) [6002-7551-202](#) [6059674-1](#) [619550-1](#) [630059-000](#) [M39030/3-01N](#) [6500-7071-046](#) [6769](#) [CX050L2AQ](#) [7002-1541-010](#) [7002-1542-011](#) [7004-1512-000](#) [7009-1511-004](#) [7010-1511-000](#) [7029-1511-060](#) [7101-1541-010](#) [7101-1571-002](#) [7105-1521-002](#) [7145-1521-002](#) [7203-1571-003](#) [7209-1511-011](#) [7210-1511-015](#) [7210-1511-019](#) [73137-5015](#) [73216-2241](#) [73404-2300](#) [7405-1521-005](#) [7405-1521-802](#) [8527](#) [8547](#) [FS11V](#) [877931](#) [8808-1511-001](#) [9074-9513-000](#) [9101-9573-002](#) [910A205F](#) [9130-9573-002](#) [PL11SC-026](#) [PL375-33](#) [PL40-5](#) [PL74C-221](#) [PL75MC-217](#) [PL803-7](#) [1200690078](#) [1-201144-1](#) [R107003010W](#) [R110A172100](#)