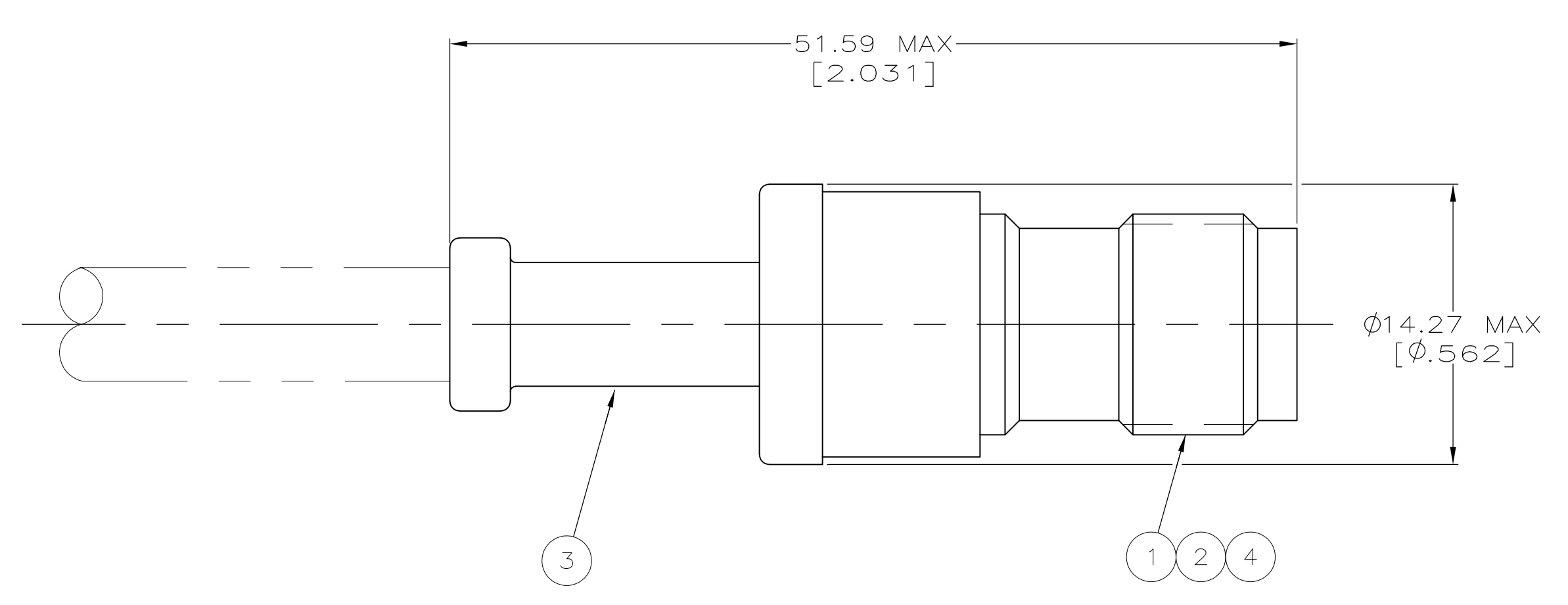
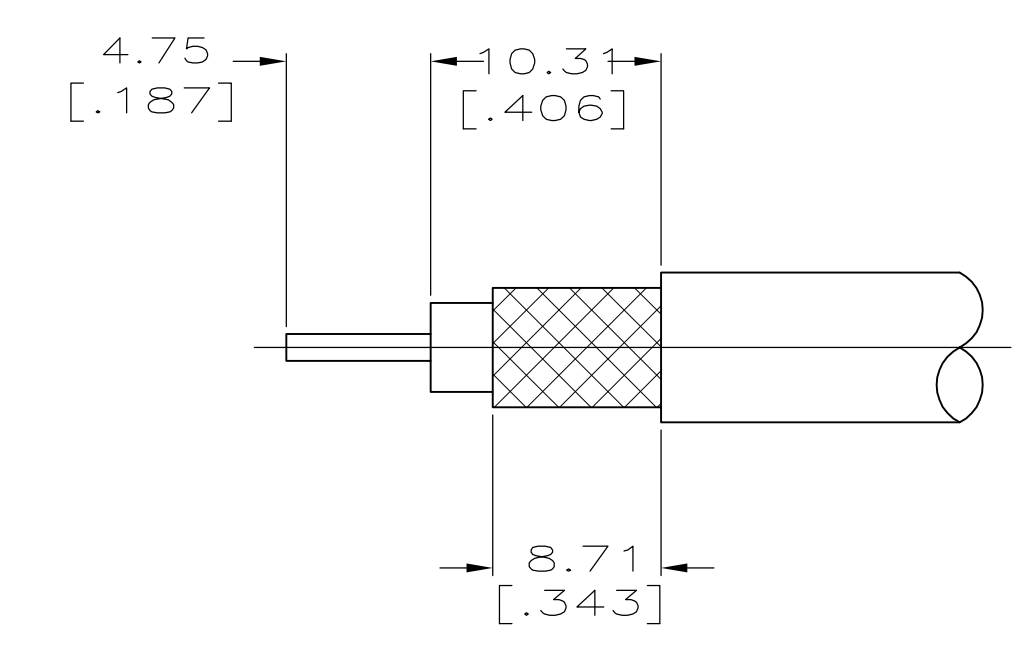


VIEW W

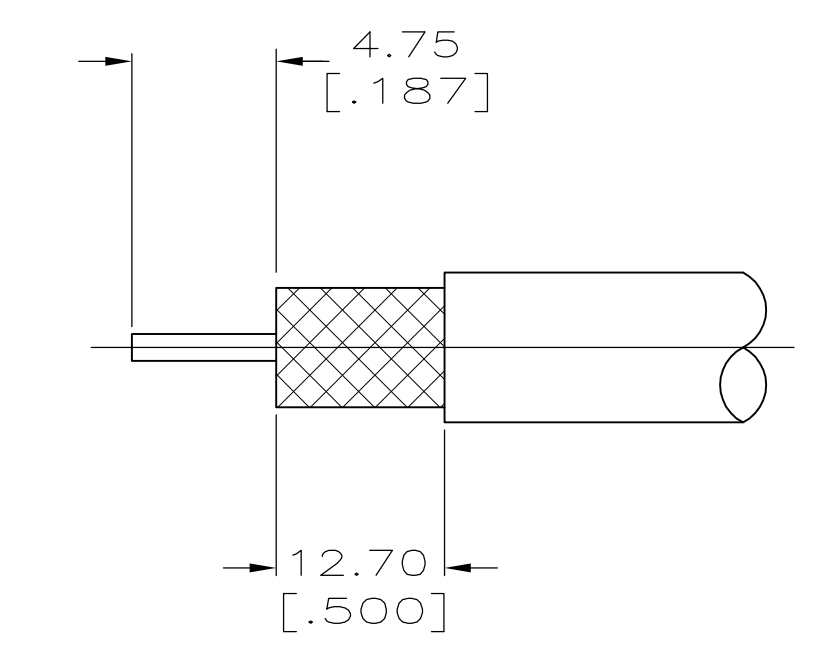
- 1 00779 M39012/27B0016 AMP 225551-1 YY WW
- 2 00779 M39012/27B0005 AMP 225551-2 YY WW
- 3. SEE I.S. 2299-2



VIEW X



VIEW Y



VIEW Z

RECOMMENDED STRIP LENGTH

RG-142/U,142A/U & 142B/U	7-225551-6 AMP	220045-2	W & Y	225592-2	225560-1	225471-3	225468-1	7-225551-6
RG-59B/U & 62B/U	7-225551-3 AMP	220045-3	W & Y	225592-3	225560-3	225471-2	225468-3	7-225551-3
RG-58A/U,58C/U & BSX 7002-58C/U	7-225551-2 AMP	220045-2	W & Y	225592-1	225560-2	225471-1	225468-1	7-225551-2
<b>OBSOLETE</b> RG-225/U	1-225551-2 AMP	220015-1	X & Z	332022	331987	225471-7	225597-2	1-225551-2
RG-142/U,142A/U & 142B/U	00779 M39012/27B0006 AMP YY WW	220045-2	W & Y	-	9-225560-4	1-225471-1	3-225468-1	225551-6
RG-141/U & 141A/U	00779 M39012/27B0015 AMP YY WW	220045-2	W & Y	225592-1	9-225560-5	1-225471-1	225468-1	225551-5
RG-58A/U,58C/U & BSX 7002-58C/U	220045-2	220045-2	W & Y	-	9-225560-5	225471-9	2-225468-1	225551-2
RG-55A/U & 223/U	220045-2	220045-2	W & Y	225592-2	9-225560-4	225471-9	225468-1	225551-1
CABLE SIZE	STAMPING	CRIMP TOOL	VIEW	4 GASKET QTY=1	3 FERRULE QTY=1	2 CONTACT QTY=1	1 JACK ASSY QTY=1	PART NUMBER

THIS DRAWING IS A CONTROLLED DOCUMENT.

DIMENSIONS: INCHES	TOLERANCES UNLESS OTHERWISE SPECIFIED:	DIN 3-6-91	APVD
0 PLC ± -	1 PLC ± -	3-11-91	J. LIPPERT
2 PLC ± 0.41 [016]	3 PLC ± -	NAME: JACK, WEATHERPROOF, SERIES, TNC	
4 PLC ± -	ANGLES ± -	PRODUCT SPEC: 108-12001	
MATERIAL	FINISH	SIZE: A1	WEIGHT: -
		CAGE CODE: 00779	DRAWING NO: 225551
		CUSTOMER DRAWING	SCALE: 4:1 SHEET 1 OF 1 REV L

STE TE Connectivity

## X-ON Electronics

Largest Supplier of Electrical and Electronic Components

*Click to view similar products for [RF Connectors / Coaxial Connectors](#) category:*

*Click to view products by [TE Connectivity](#) manufacturer:*

Other Similar products are found below :

[8915-1511-000](#) [89674-0827](#) [6001-7071-019](#) [6002-7051-003](#) [6002-7551-202](#) [6059674-1](#) [619550-1](#) [630059-000](#) [M39030/3-01N](#) [6500-7071-046](#) [6769](#) [CX050L2AQ](#) [7002-1541-010](#) [7002-1542-011](#) [7004-1512-000](#) [7009-1511-004](#) [7010-1511-000](#) [7029-1511-060](#) [7101-1541-010](#) [7101-1571-002](#) [7145-1521-002](#) [7203-1571-003](#) [7209-1511-011](#) [7210-1511-015](#) [7210-1511-019](#) [73137-5015](#) [73216-2241](#) [73404-2300](#) [7405-1521-005](#) [7405-1521-802](#) [8527](#) [8547](#) [FS11V](#) [877931](#) [8808-1511-001](#) [9074-9513-000](#) [9101-9573-002](#) [910A205F](#) [9130-9573-002](#) [PL11SC-026](#) [PL375-33](#) [PL40-5](#) [PL74C-221](#) [PL75MC-217](#) [PL803-7](#) [1200690078](#) [1-201144-1](#) [R107003010W](#) [R110A172100](#) [R112186000](#)