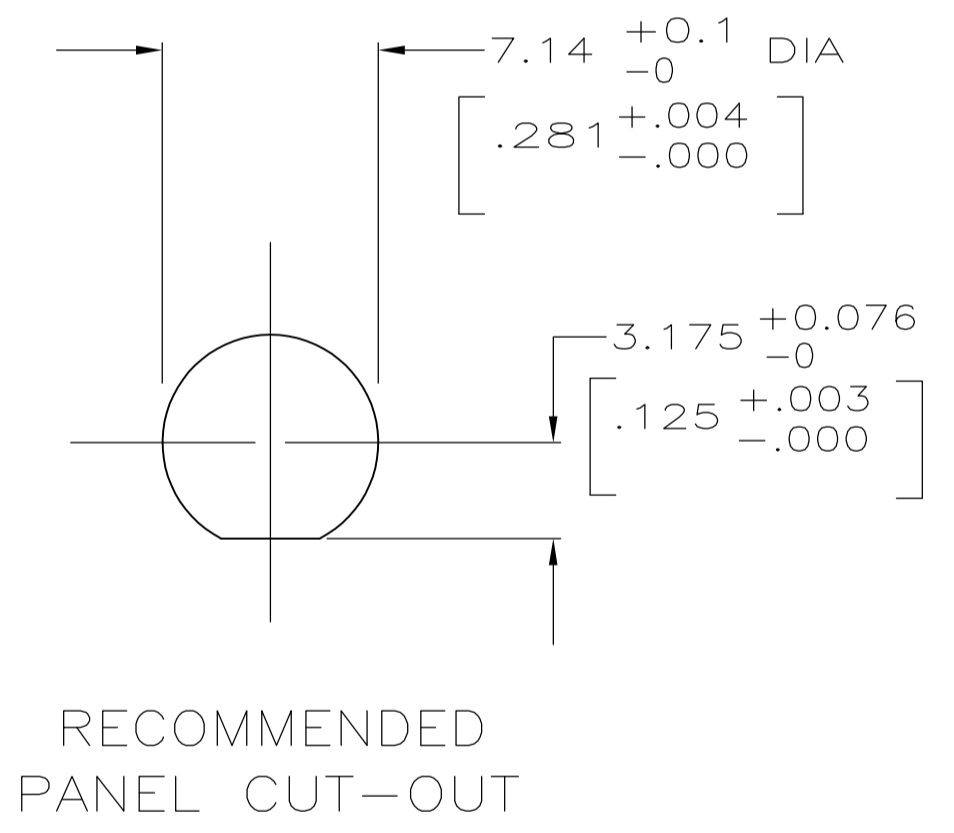
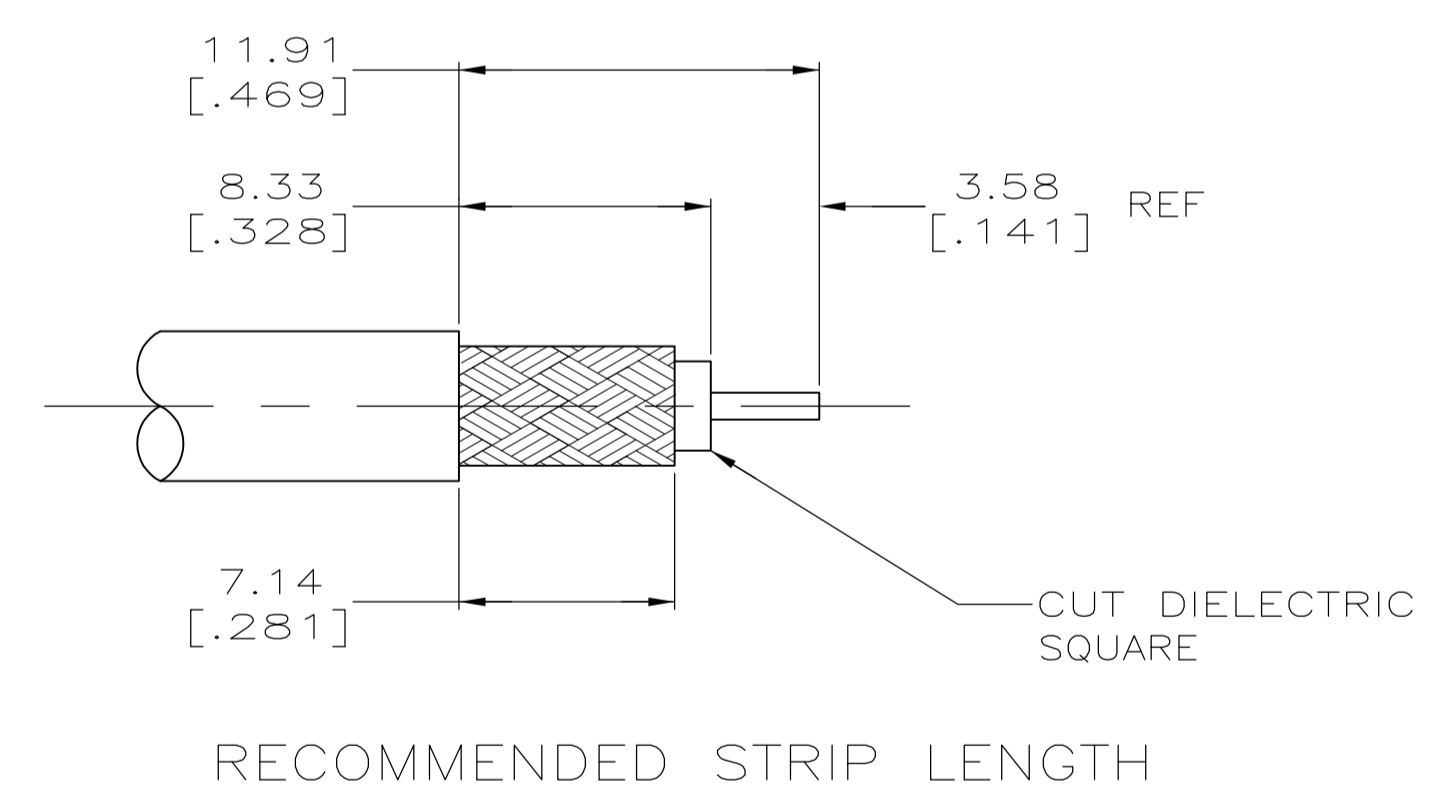


1. STEEL STAMP
2. PARTS PACKAGED UNASSEMBLED.
3. SEE INSTRUCTION SHEET NO. 408-2322.



OBSOLETE	220061-1	RG-174/U,188A/U & 316/U	2-332004-0	1-22145-3	226315-1	9-50285-0	448180-3	225549-2	9-225608-0
OBSOLETE	59962-1	RG-316	2-332004-0	1-22145-3	226315-1	50285-5	225546-2	225549-2	1-225608-1
OBSOLETE	220061-1	RG-141/U,141A/U & 303/U	2-332004-0	1-22145-3	226315-1	225619-2	225546-1	225549-1	225608-9
OBSOLETE	220061-1	RG-179B/U & 187A/U	2-332004-0	1-22145-3	226315-1	50285-7	225546-2	225549-3	225608-8
	220061-1	RG-174/U,188A/U & 316/U	2-332004-0	1-22145-3	226315-1	9-50285-0	448180-3	225549-2	225608-4
OBSOLETE	220061-1	RG-142/U,142A/U & 142B/U	2-332004-0	1-22145-3	226315-1	225618-3	225546-1	225549-1	225608-3
OBSOLETE	220061-1	RG-58A/U & 58C/U	2-332004-0	1-22145-3	226315-1	225619-2	225546-1	225549-1	225608-1
	HAND TOOL	CABLE SIZE	⑥ JAM NUT QTY=1	⑤ LOCKWASHER QTY=1	④ O-RING QTY=1	③ FERRULE QTY=1	② CONTACT QTY=1	① BULKHEAD JACK ASSY QTY=1	ASSY NO

THIS DRAWING IS A CONTROLLED DOCUMENT.

DIMENSIONS: mm [INCHES]

TOLERANCES UNLESS OTHERWISE SPECIFIED:

0 PLC	±	-
1 PLC	±	-
2 PLC	±	0.41 [016]
3 PLC	±	-
4 PLC	±	-
ANGLES	±	-

MATERIAL: - FINISH: -

WEIGHT: -

APPROVED: S. J. MAGARO 9-15-89
CHK: R. E. RUTH 9/21/89
D. VERMEERSCH 9/27/89

NAME: JACK, BULKHEAD, SERIES SMA

SIZE: A1 CAGE CODE: 00779 DRAWING NO: 225608

RESTRICTED TO: -

CUSTOMER DRAWING SCALE: 4:1 SHEET: 1 OF 1 REV: S



X-ON Electronics

Largest Supplier of Electrical and Electronic Components

Click to view similar products for [RF Connectors / Coaxial Connectors](#) category:

Click to view products by [TE Connectivity](#) manufacturer:

Other Similar products are found below :

[8915-1511-000](#) [89674-0827](#) [6001-7071-019](#) [6002-7051-003](#) [6002-7551-202](#) [6059674-1](#) [619550-1](#) [630059-000](#) [M39030/3-01N](#) [6500-7071-046](#) [6769](#) [CX050L2AQ](#) [7002-1541-010](#) [7002-1542-011](#) [7004-1512-000](#) [7009-1511-004](#) [7010-1511-000](#) [7029-1511-060](#) [7101-1541-010](#) [7101-1571-002](#) [7105-1521-002](#) [7145-1521-002](#) [7203-1571-003](#) [7209-1511-011](#) [7210-1511-015](#) [7210-1511-019](#) [73137-5015](#) [73216-2241](#) [73404-2300](#) [7405-1521-005](#) [7405-1521-802](#) [8527](#) [8547](#) [FS11V](#) [877931](#) [9049-9513-000](#) [9074-9513-000](#) [9101-9573-002](#) [910A205F](#) [9130-9573-002](#) [PL11SC-026](#) [PL375-33](#) [PL40-5](#) [PL74C-221](#) [PL75MC-217](#) [PL803-7](#) [1200690078](#) [1-201144-1](#) [R107003010W](#) [R110A172100](#)