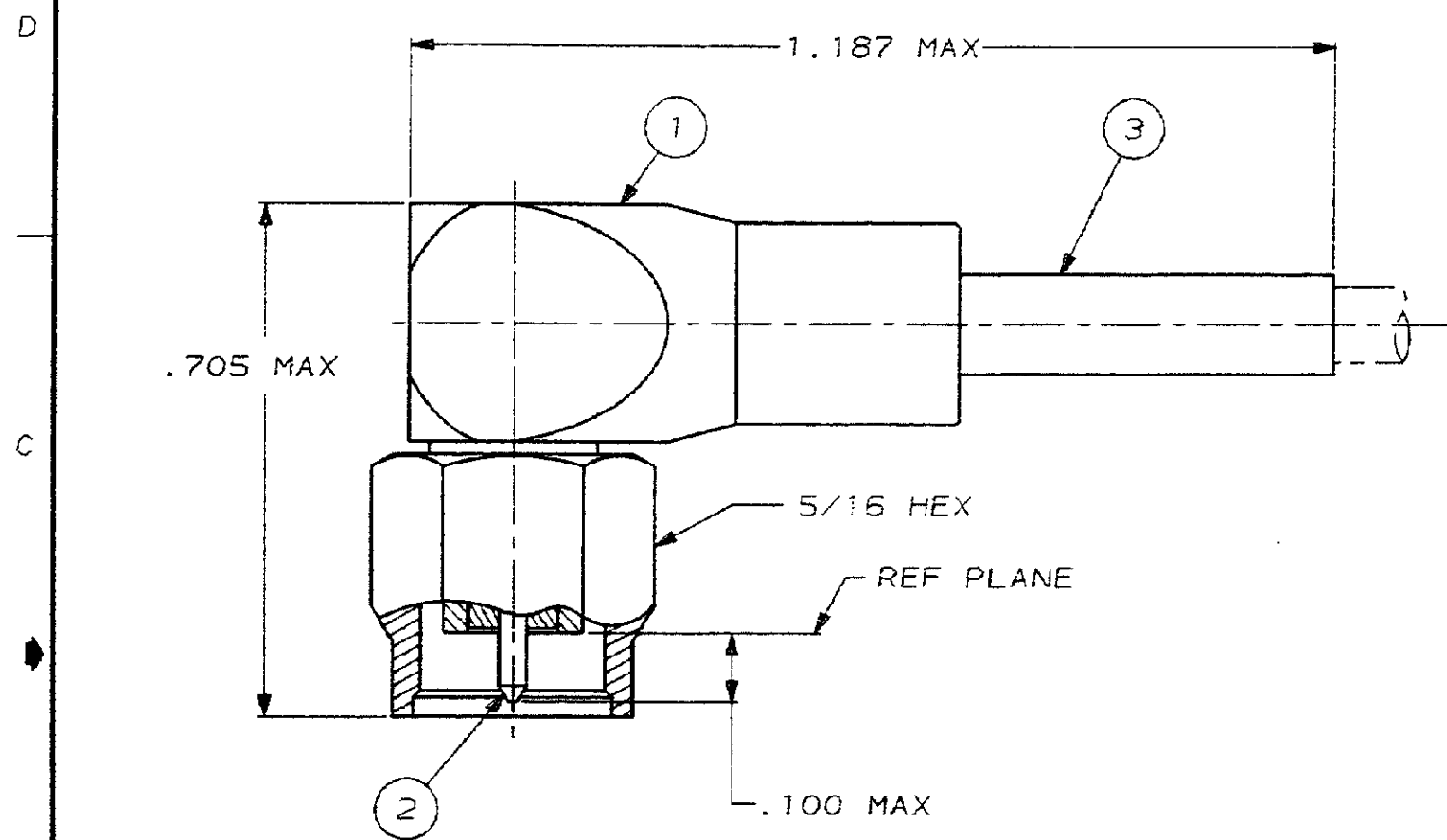


DRAWING MADE IN THIRD ANGLE PROJECTION

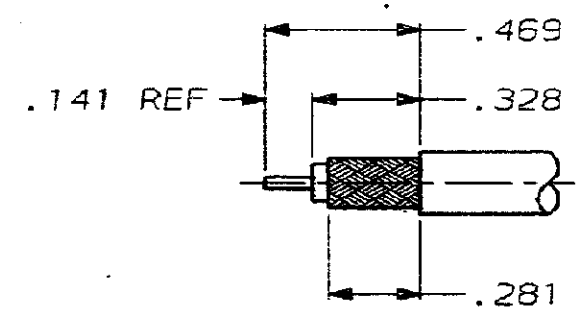
THIS DRAWING IS UNPUBLISHED. RELEASED FOR PUBLICATION, 19 .
 © COPYRIGHT 19 BY AMP INCORPORATED. ALL INTERNATIONAL RIGHTS RESERVED.

LOC	DIST	P	F	ZONE	LTR	DESCRIPTION	DATE	APPG
DF	X0							
		✓	✓		C	REV & REDWN AJ-3218, 3144	9-12-88	LM/MS
		✓	✓		D	REVISED PER AJ-3807	9-15-89	SJM
		✓			E	REV PER DF-5749	CT 1-92	JC



1. FOR USE WITH: RG-174/U, 188A/U, & 316/U CABLE
2. CRIMP WITH TOOL: 220061-1
3. SEE I.S. 2322
4. 00779 M39012/56B3019

QTY	PART NUMBER	DESCRIPTION	ITEM
1	50285-7	FERRULE	3
1	448180-3	CONTACT	2
1	225566-2	RTANG PLUG ASSY	1



RECOMMENDED STRIP LENGTH
SCALE: 2:1

DO NOT SCALE PRINT. UNLESS SPECIFIED DIMENSIONS IN INCHES TOLERANCES ON: 2 PLC DEC ± .016 3 PLC DEC ± .016 ANGLES ± .016		DR L.A. MOSCOSO 9-1-88 CHK M. SNEED 9-12-88 APPD B. ADAMS 9-12-88 APPD L.A. MOSCOSO 9-12-88	PART NO	
MATERIAL _____		AMP INCORPORATED Harrisburg, Pa. 17105		
FINISH _____		PLUG, RIGHT ANGLE SERIES SMA		
WEIGHT _____		SIZE B	FSCM NO 00779	
		SCALE 5:1	DRAWING NO 225609-4	
			SHEET 1 OF 1	

X-ON Electronics

Largest Supplier of Electrical and Electronic Components

Click to view similar products for [RF Connectors / Coaxial Connectors](#) category:

Click to view products by [TE Connectivity](#) manufacturer:

Other Similar products are found below :

[R125315120](#) [8915-1511-000](#) [89674-0827](#) [5916-1103-603](#) [6-0001-3](#) [6001-7071-019](#) [6002-7051-003](#) [6002-7551-202](#) [6059674-1](#) [619550-1](#)
[630059-000](#) [M39012/25-0021](#) [M39012/79-3008](#) [M39030/3-01N](#) [M39030/3-03N](#) [M3933/25-36N](#) [6500-7071-046](#) [M83723/72W24576](#)
[M83723/72W2457N](#) [6769](#) [CX050L2AQ](#) [7002-1541-010](#) [7002-1572-002](#) [7003-1572-002](#) [7010-1511-000](#) [7029-1511-060](#) [7101-1541-010](#)
[7101-1571-002](#) [7105-1521-002](#) [7145-1521-002](#) [7209-1511-011](#) [7210-1511-015](#) [7210-1511-019](#) [7225-1512-050](#) [7242-1511-000](#) [73137-5015](#)
[73251-0111](#) [73251-0672](#) [7325-1512-000](#) [73276-1501](#) [73366-0013](#) [73404-2300](#) [73413-6080](#) [73415-5721](#) [7405-1521-005](#) [7405-1521-802](#)
[7406-1521-005](#) [804S01D04M040](#) [8145-1521-002](#) [81590](#)