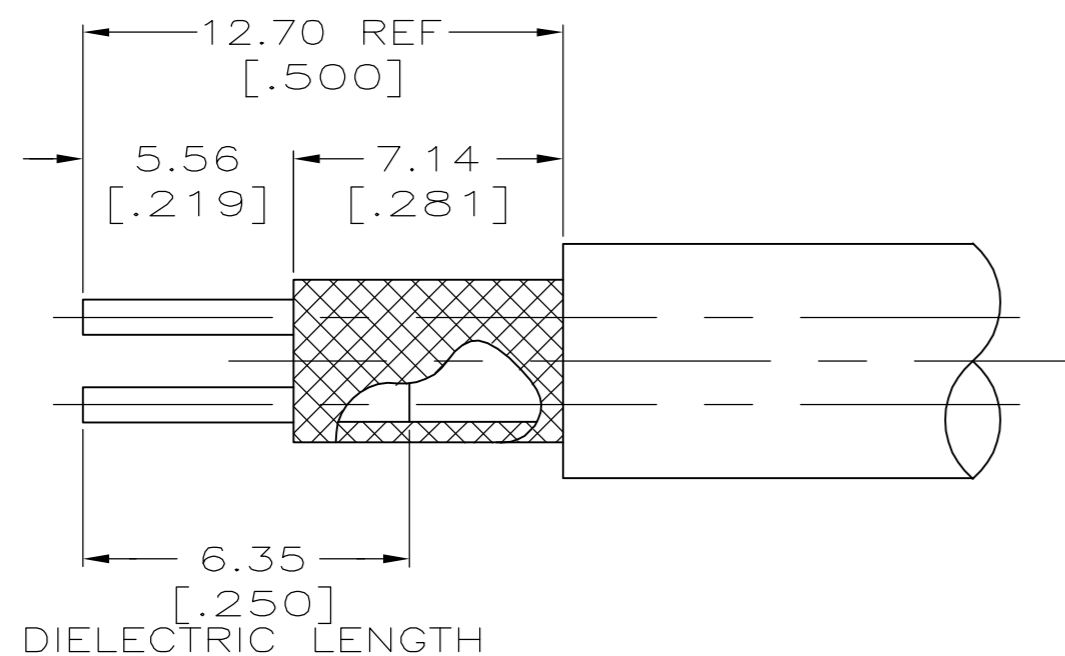


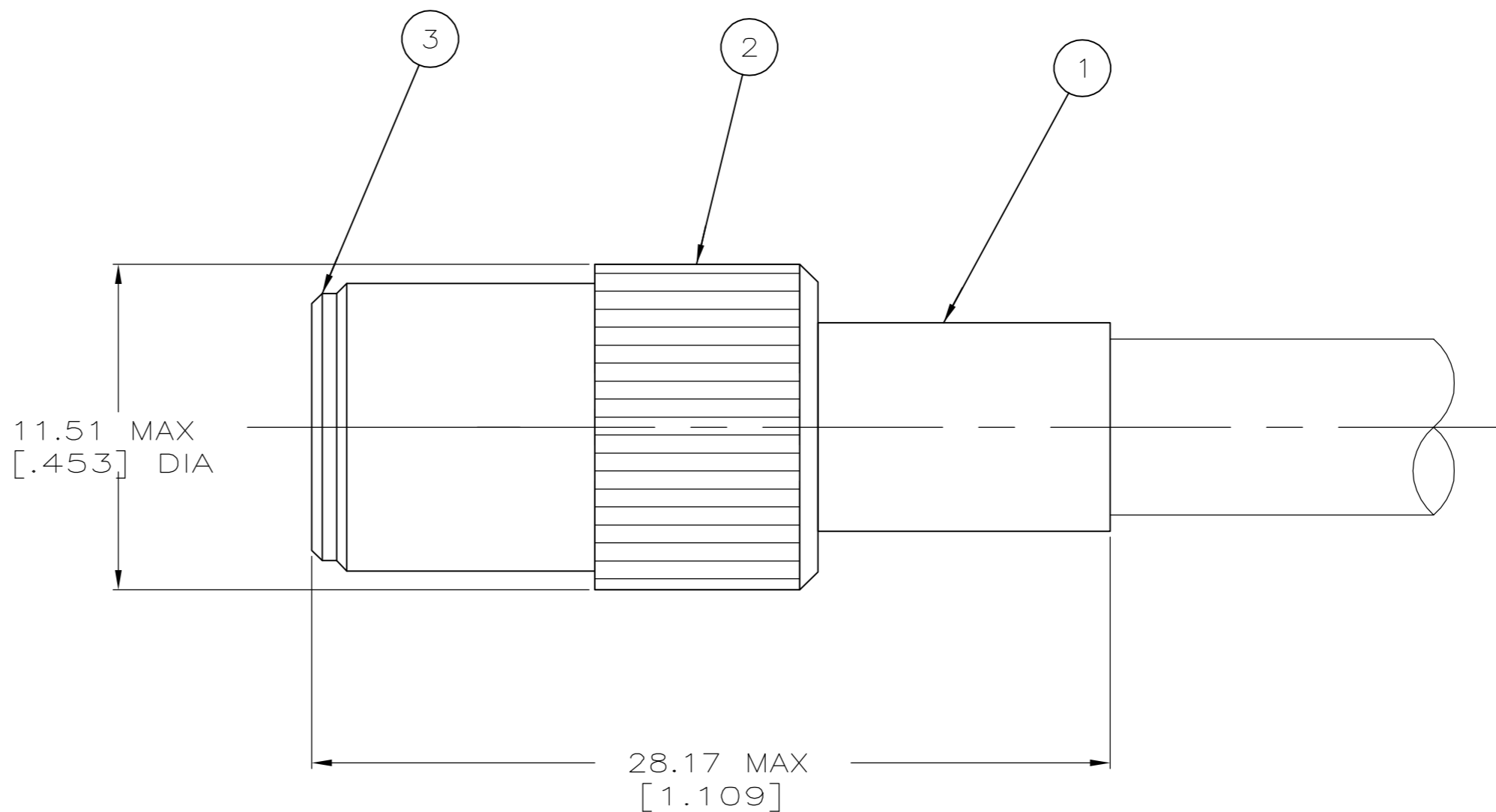
THIS DRAWING IS UNPUBLISHED. RELEASED FOR PUBLICATION
 © COPYRIGHT BY TYCO ELECTRONICS CORPORATION. ALL RIGHTS RESERVED.

LOC		DIST		REVISIONS					
AJ		16		P	LTR	DESCRIPTION	DATE	DWN	APVD
				F		REV PER ECO-07-001479	29JAN07	PY	RG

1. PARTS PACKAGED UNASSEMBLED
2. CRIMP TOOL: 69311-1
3. SEE I.S. 1833



RECOMMENDED STRIP LENGTH



SUPERSEDED BY 2-329945-3	BELDEN 8762	225687-5
SUPERSEDED BY 2-329944-3	BELDEN 8451,8641 & 8761	225687-4
	RG-108/U,108A/U AND BELDEN 8759	225687-2
	CABLE SIZE	PART NUMBER

THIS DRAWING IS A CONTROLLED DOCUMENT.		DWN	06-25-91	Tyco Electronics Corporation Harrisburg, PA 17105-3608
DIMENSIONS: INCHES		CHK	02/05/93	
TOLERANCES UNLESS OTHERWISE SPECIFIED:		APVD	02/05/93	
0 PLC ± - 1 PLC ± - 2 PLC ± 0.41 [.016] 3 PLC ± - 4 PLC ± - ANGLES ± - FINISH -		NAME	J.DAVIS	
MATERIAL		PRODUCT SPEC		RECEPTACLE, THREADED, TWIN SERIES
		APPLICATION SPEC		
		WEIGHT	-	SIZE
		CUSTOMER DRAWING		CAGE CODE
		SCALE	5:1	DRAWING NO
		SHEET	1 of 1	RESTRICTED TO
		REV	F	

X-ON Electronics

Largest Supplier of Electrical and Electronic Components

Click to view similar products for [Barrier Terminal Blocks](#) category:

Click to view products by [TE Connectivity](#) manufacturer:

Other Similar products are found below :

[6C1N03](#) [6PCR-02-008](#) [6PCR-05-008](#) [6PCR-08-008](#) [6PCR-21-006](#) [6PCV-06-008](#) [6PCV-10-009](#) [6PCV-15-008](#) [6STR-06-006](#) [6STR-08-006](#)
[6STR-12-008](#) [6STR-14-008](#) [6STR-16-008](#) [6STR-17-008](#) [6STR-21-008](#) [6STR-25-008](#) [6STR-27-008](#) [6STV-03-006](#) [6STV-03-008](#) [6STV-04-006](#) [6STV-10-006](#) [6WWR-03](#) [6WWV-12-008](#) [6WWV-16-008](#) [7-1546701-0](#) [72212603](#) [72503-C](#) [72504-C-50](#) [73203](#) [76007](#) [7604-501LF](#)
[77010-50](#) [796985-3](#) [796988-4](#) [7C1N08](#) [8-1437402-5](#) [8-1437402-7](#) [8-1546158-0](#) [870505](#) [870903](#) [8PCR-06-006](#) [8PCV-02-008](#) [8PCV-05-008](#)
[8PCV-09-006](#) [8PCV-15-006](#) [8PCV-17-006](#) [8QCR-03-008](#) [8STV-04-006](#) [9-1437402-3](#) [A103104](#)