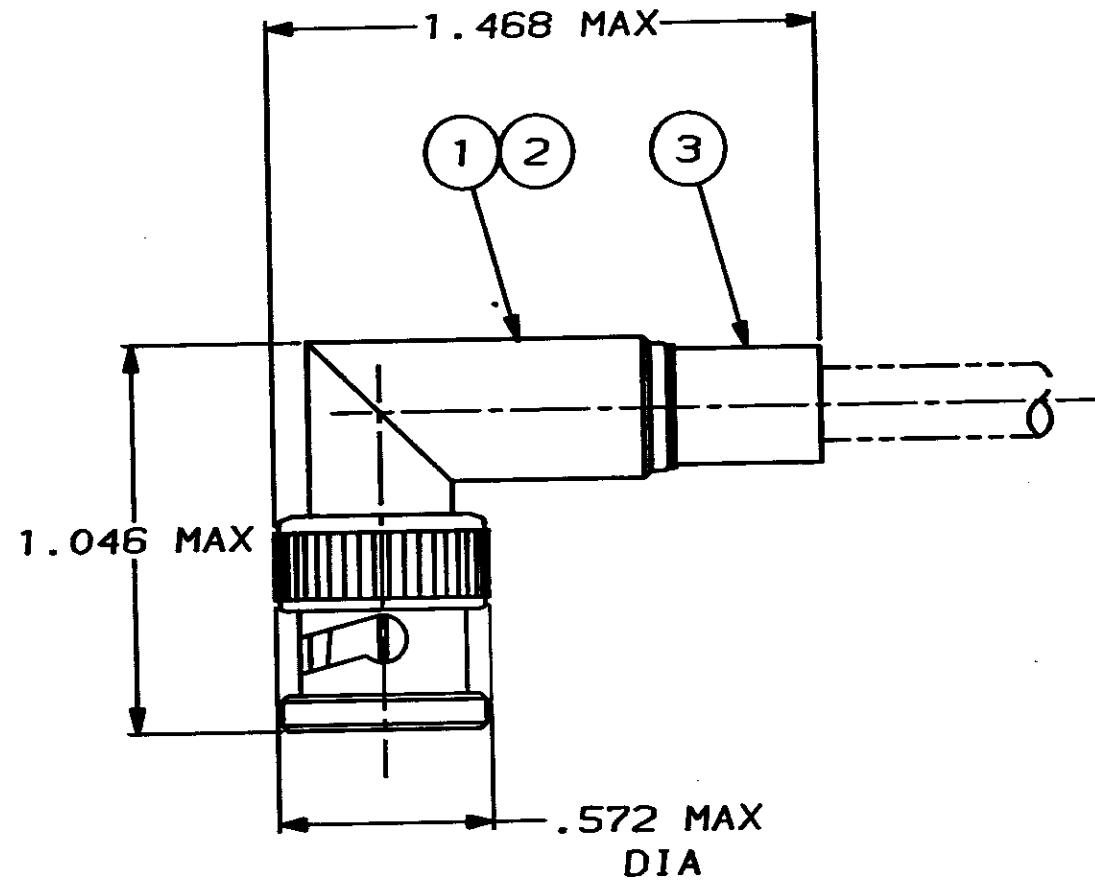


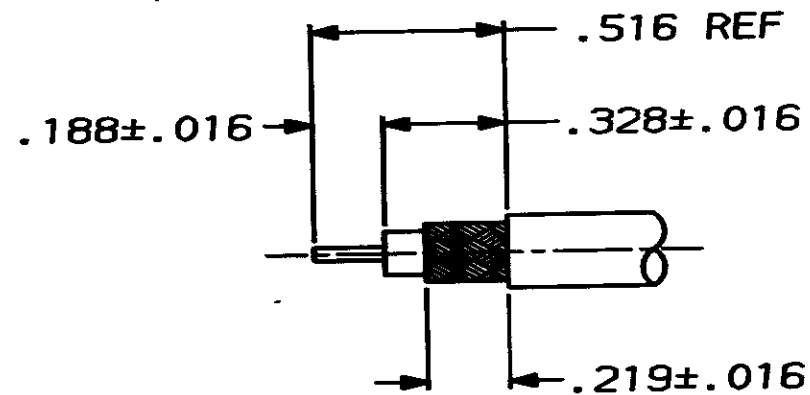
DRAWING MADE IN THIRD ANGLE PROJECTION

THIS DRAWING IS UNPUBLISHED. RELEASED FOR PUBLICATION
 © COPYRIGHT 19 BY AMP INCORPORATED, HARRISBURG, PA. ALL INTERNATIONAL RIGHTS RESERVED. AMP PRODUCTS MAY BE COVERED BY U.S. AND FOREIGN PATENTS AND/OR PATENTS PENDING.

MOD	LOC	DIST	P	F	ZONE	LTR	DESCRIPTION	DATE	APPROVED
2	AJ	16				D1	REDWN W/O CHG ON CAD	5/31/88	REL



- FOR USE WITH: RG-142/U, 142A/U & 142B/U CABLE
- USE HAND TOOL: 69478-1
- SEE I.S. 1914-5



RECOMMENDED STRIP LENGTH

QTY	PART NO	DESCRIPTION	ITEM NO
1	225382-2	FERRULE	3
1	1-331369-2	CONTACT	2
1	225975-1	PLUG ASSY	1

UNLESS OTHERWISE SPECIFIED DIMENSIONS ARE IN INCHES TOLERANCES ON:
 2 PL DEC ± _____
 3 PL DEC ± _____
 ANGLES ± _____

MATERIAL _____

FINISH _____

DR. W. ULRICH 9/14/82
 CHK. T. SMITH 9/15/82
 APPD. DON SMITH 9/21/82
 APPD. W. ULRICH 9/21/82
 PRODUCT SPEC 108-12020
 APPLICATION SPEC _____
 WEIGHT _____

AMP | AMP INCORPORATED
 Harrisburg, Pa. 17105

NAME: **PLUG, RIGHT ANGLE DUAL CRIMP, BNC**

SIZE: **B** | FSCM NO: 00779 | DRAWING NO: 225973-4

SCALE: 2:1 | SHEET: 1 OF 1

X-ON Electronics

Largest Supplier of Electrical and Electronic Components

Click to view similar products for [RF Connectors](#) / [Coaxial Connectors](#) category:

Click to view products by [TE Connectivity](#) manufacturer:

Other Similar products are found below :

[8915-1511-000](#) [89674-0827](#) [6001-7071-019](#) [6002-7051-003](#) [6002-7551-202](#) [6059674-1](#) [619550-1](#) [630059-000](#) [M39030/3-01N](#) [6500-7071-046](#) [6769](#) [CX050L2AQ](#) [7002-1541-010](#) [7002-1542-011](#) [7004-1512-000](#) [7009-1511-004](#) [7010-1511-000](#) [7029-1511-060](#) [7101-1541-010](#) [7101-1571-002](#) [7145-1521-002](#) [7203-1571-003](#) [7209-1511-011](#) [7210-1511-015](#) [7210-1511-019](#) [73137-5015](#) [73216-2241](#) [73404-2300](#) [7405-1521-005](#) [7405-1521-802](#) [8527](#) [8547](#) [FS11V](#) [877931](#) [8808-1511-001](#) [9074-9513-000](#) [9101-9573-002](#) [910A205F](#) [9130-9573-002](#) [PL11SC-026](#) [PL375-33](#) [PL40-5](#) [PL74C-221](#) [PL75MC-217](#) [PL803-7](#) [1200690078](#) [1-201144-1](#) [R107003010W](#) [R110A172100](#) [R112186000](#)