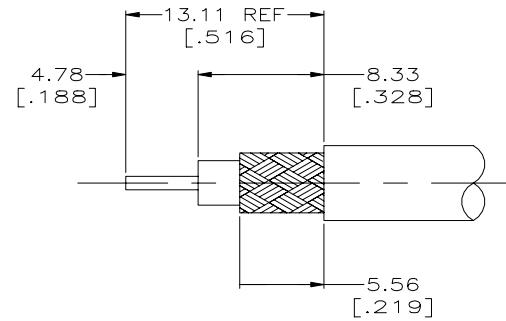
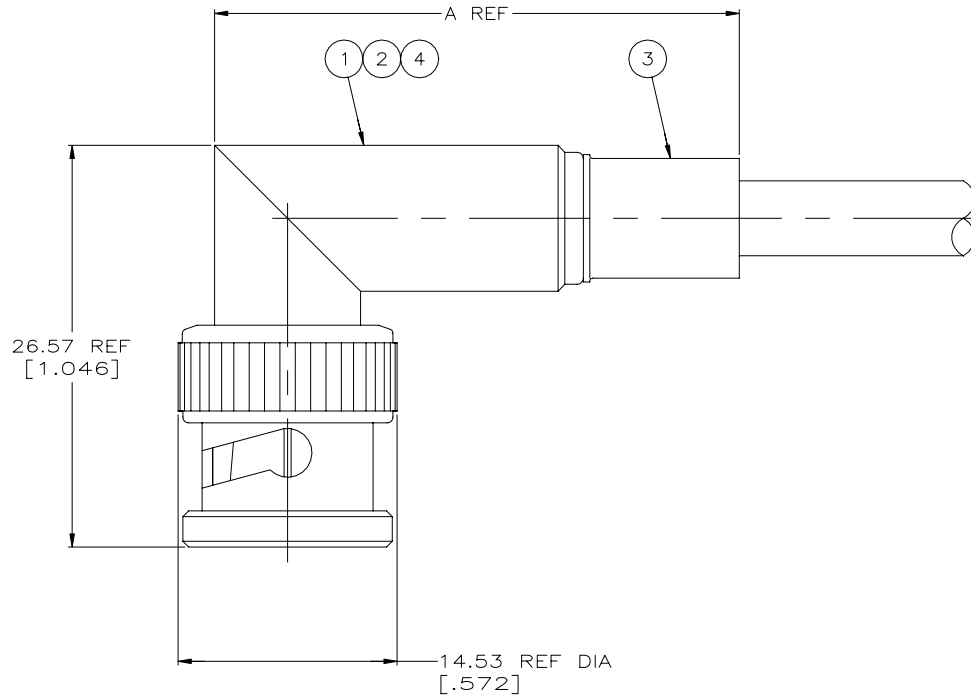


REVISIONS					
P	LTR	DESCRIPTION	DATE	DWN	APVD
P3	REV PER	ECR-21-103273	13MAY2021	RZ	WK

- △1 RG-58/U, RG-58A/U, RG-58B/U, & RG-58C/U
- △2 RG-55/U, RG-55A/U, RG-55B/U, & RG-223/U
- △3 RG-59/U, RG-59A/U, RG-59B/U, RG-62/U, RG-62A/U, & RG-62B/U
- △4 BELDEN YR-14041 (223 SPECIAL)
- △5 BELDEN 88240, HI-TEMP RG-58C/U, & BERK TEK BDT C 58
- △6 RG-188/U, 316 TYPE, DOUBLE BRAIDED CABLE
- 7. SEE I.S. 1914-5
- △8 OBSOLETE PARTS: OBSOLETE CIS STREAMLINING PER D.RENAUD/D.SINISI



RECOMMENDED STRIP LENGTH

SUPERSEDED BY 5225974-1	△1	69478-1	39.12 [1.540]	-	9-225381-0	1-331369-6	225975-3	9-225974-0
	△6	220009-1	37.29 [1.468]	227194-1	9-329049-0	1-331368-2	225975-6	1-225974-1
SUPERSEDED BY 225974-1	△2	69478-1	39.12 [1.540]	-	9-228783-0	1-331369-6	225975-3	1-225974-0
	△4	69478-1	39.12 [1.540]	-	9-225382-0	331369	225975-5	225974-7
	△3	69477-1	37.29 [1.468]	-	9-50428-0	2-331368-3	225975-4	225974-5
△8 OBSOLETE	△2	69478-1	39.12 [1.540]	-	9-225382-0	1-331369-6	225975-3	225974-2
	△1	69478-1	39.12 [1.540]	-	9-225381-0	1-331369-6	225975-3	225974-1
CABLE SIZE	HAND TOOL	A	△4 TUBING QTY=1	△3 FERRULE QTY=1	△2 CONTACT QTY=1	△1 PLUG ASSY QTY=1	PART NUMBER	

THIS DRAWING IS A CONTROLLED DOCUMENT.

DIMENSIONS: mm [INCHES]	TOLERANCES UNLESS OTHERWISE SPECIFIED: 0 PLC ± - 1 PLC ± - 2 PLC ± 0.41 [016] 3 PLC ± - 4 PLC ± - ANGLES ± -	DWN J. LIPPERT 12-12-90	CHK M. PHILLIPS 1-18-91	APVD M. PHILLIPS 1-18-91	NAME M. PHILLIPS	SIZE A2	CAGE CODE 00779	DRAWING NO C=225974	RESTRICTED TO -
MATERIAL -	FINISH -	WEIGHT 0.000000		CUSTOMER DRAWING		SCALE 4:1	SHEET 1 of 1	REV P.3	

TE TE Connectivity

PLUG, RIGHT ANGLE,
DUAL CRIMP, BNC

X-ON Electronics

Largest Supplier of Electrical and Electronic Components

Click to view similar products for [RF Connectors / Coaxial Connectors](#) category:

Click to view products by [TE Connectivity](#) manufacturer:

Other Similar products are found below :

[8915-1511-000](#) [89674-0827](#) [6001-7071-019](#) [6002-7051-003](#) [6002-7551-202](#) [6059674-1](#) [619550-1](#) [630059-000](#) [M39030/3-01N](#) [6500-7071-046](#) [6769](#) [CX050L2AQ](#) [7002-1541-010](#) [7002-1542-011](#) [7004-1512-000](#) [7009-1511-004](#) [7010-1511-000](#) [7029-1511-060](#) [7101-1541-010](#) [7101-1571-002](#) [7145-1521-002](#) [7203-1571-003](#) [7209-1511-011](#) [7210-1511-015](#) [7210-1511-019](#) [73137-5015](#) [73216-2241](#) [73404-2300](#) [7405-1521-005](#) [7405-1521-802](#) [8527](#) [8547](#) [FS11V](#) [877931](#) [8808-1511-001](#) [9049-9513-000](#) [9074-9513-000](#) [9101-9573-002](#) [910A205F](#) [9130-9573-002](#) [PL11SC-026](#) [PL375-33](#) [PL40-5](#) [PL74C-221](#) [PL75MC-217](#) [PL803-7](#) [1200690078](#) [1-201144-1](#) [R107003010W](#) [R110A172100](#)