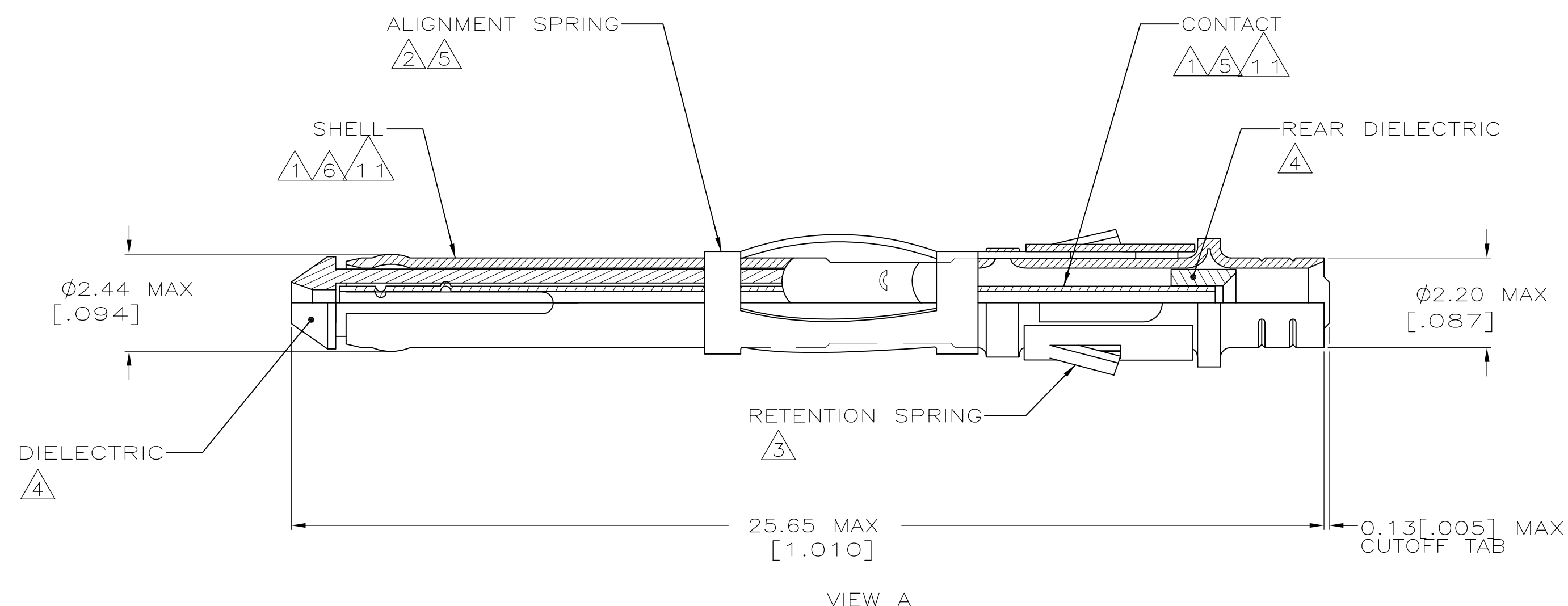
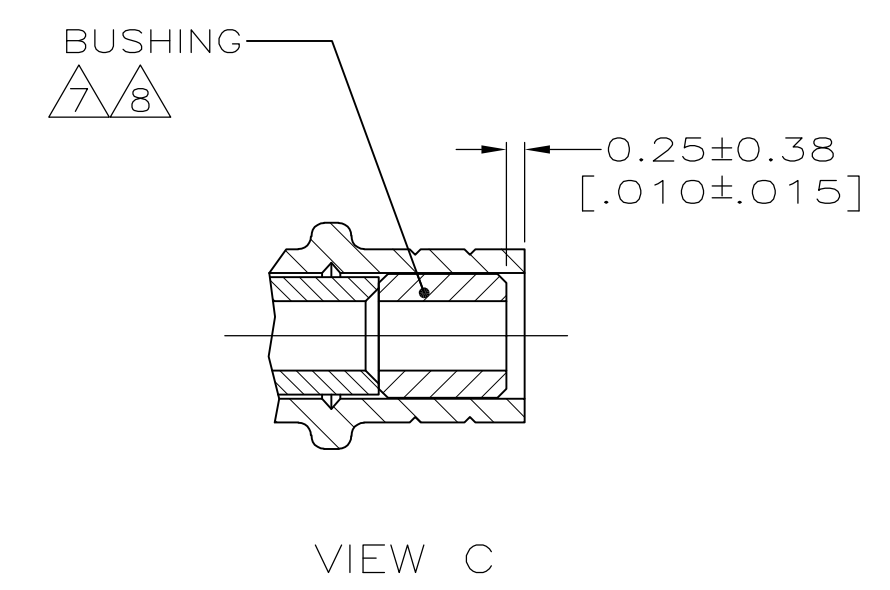
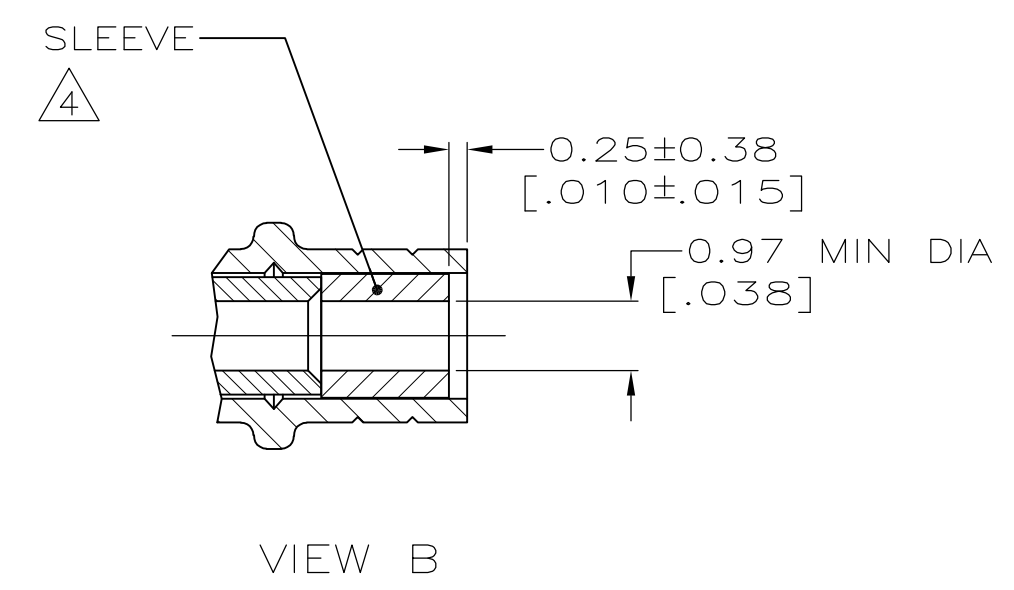


LOC	DIST	REVISIONS					
AJ	16	P	LTR	DESCRIPTION	DATE	DWN	APVD
		N1		REVISED PER ECO-11-005030	11MAR11	RK	HMR



- 1 GOLD PL PER MIL-G-45204,.000030 ON MATING SURFACES, FLASH ON REMAINDER
- 2 NICKEL PL PER QQ-N-290
- 3 STAINLESS STEEL PER QQ-S-766
- 4 POLYPROPYLENE OR POLYMETHYLPENTENE GENERAL PURPOSE
- 5 BERYLLIUM COPPER PER QQ-C-533
- 6 BRASS PER MIL-C-50
- 7 BRASS PER ASTM-B-135
- 8 TIN PL PER MIL-T-10727
- 9. WEIGHT: .016 OZ
- 10. FOR CABLE SELECTION, FERRULE AND HANDTOOL PART NUMBERS, SEE I.S. 2024-2
- 11 GOLD PL PER MIL-G-45204,.000050 ON MATING SURFACES, FLASH ON REMAINDER



OBSOLETE	A	1, 2	3, 4, 5, 6	226537-7
OBSOLETE	C	1, 2, 8	3, 4, 5, 6, 7	226537-6
OBSOLETE	B	1, 2	3, 4, 5, 6	226537-5
	A	1, 2	3, 4, 5, 6	226537-4
	C	1, 2, 8	3, 4, 5, 6, 7	226537-3
	B	1, 2	3, 4, 5, 6	226537-2
	A	1, 2	3, 4, 5, 6	226537-1
	VIEW	FINISH	MATERIAL	PART NUMBER

THIS DRAWING IS A CONTROLLED DOCUMENT.		DWN S.D.KOHL 7-23-91	STE TE Connectivity	
DIMENSIONS: mm [INCHES]		CHK B. WERNER 8-1-91	NAME PIN ASSY, SERIES SUBMINIATURE	
TOLERANCES UNLESS OTHERWISE SPECIFIED:		APVD D. DOYF 8-1-91	PRODUCT SPEC	
0 PLC ± -		APPLICATION SPEC		
1 PLC ± -		SIZE CAGE CODE DRAWING NO		
2 PLC ± -		A1 00779 C-226537		
3 PLC ± -		WEIGHT -		
4 PLC ± -		SCALE 10:1 SHEET 1 OF 1 REV N1		
ANGLES ± -		CUSTOMER DRAWING		
MATERIAL SEE TABLE	FINISH SEE TABLE			

X-ON Electronics

Largest Supplier of Electrical and Electronic Components

Click to view similar products for [RF Connectors / Coaxial Connectors](#) category:

Click to view products by [TE Connectivity](#) manufacturer:

Other Similar products are found below :

[8915-1511-000](#) [89674-0827](#) [6001-7071-019](#) [6002-7051-003](#) [6002-7551-202](#) [6059674-1](#) [619550-1](#) [630059-000](#) [M39030/3-01N](#) [6500-7071-046](#) [6769](#) [CX050L2AQ](#) [7002-1541-010](#) [7002-1542-011](#) [7004-1512-000](#) [7009-1511-004](#) [7010-1511-000](#) [7029-1511-060](#) [7101-1541-010](#) [7101-1571-002](#) [7145-1521-002](#) [7203-1571-003](#) [7209-1511-011](#) [7210-1511-015](#) [7210-1511-019](#) [73137-5015](#) [73216-2241](#) [73404-2300](#) [7405-1521-005](#) [7405-1521-802](#) [8527](#) [8547](#) [FS11V](#) [877931](#) [9049-9513-000](#) [9074-9513-000](#) [9101-9573-002](#) [910A205F](#) [9130-9573-002](#) [PL11SC-026](#) [PL375-33](#) [PL40-5](#) [PL74C-221](#) [PL75MC-217](#) [PL803-7](#) [980-8666-005](#) [1200690078](#) [1-201144-1](#) [R107003010W](#) [R110A172100](#)